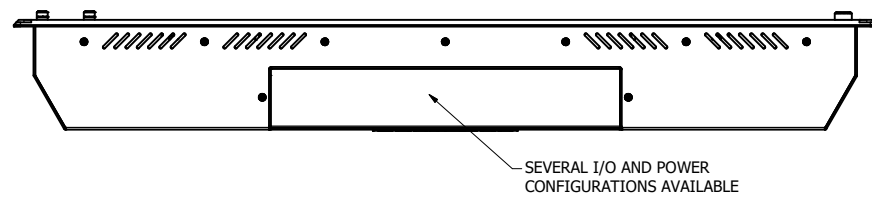
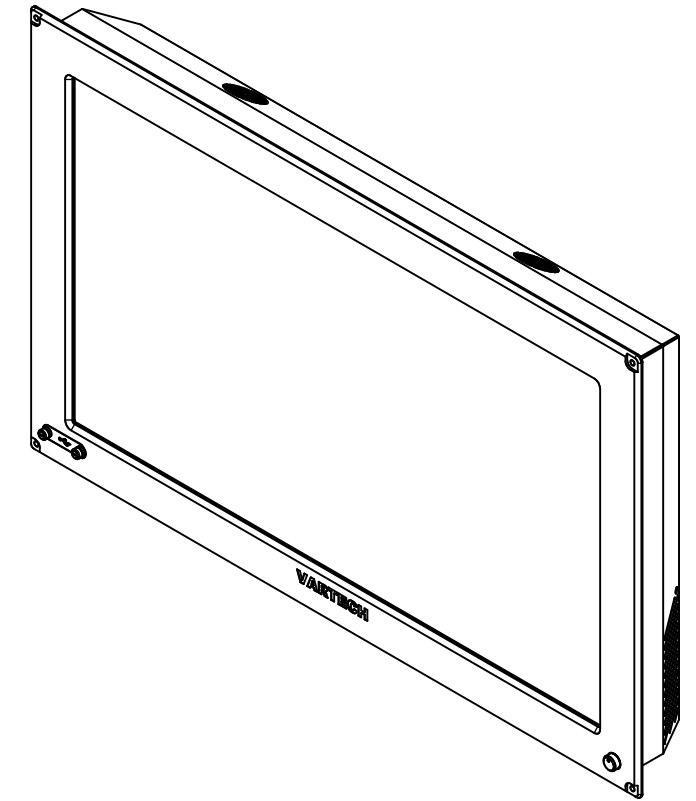
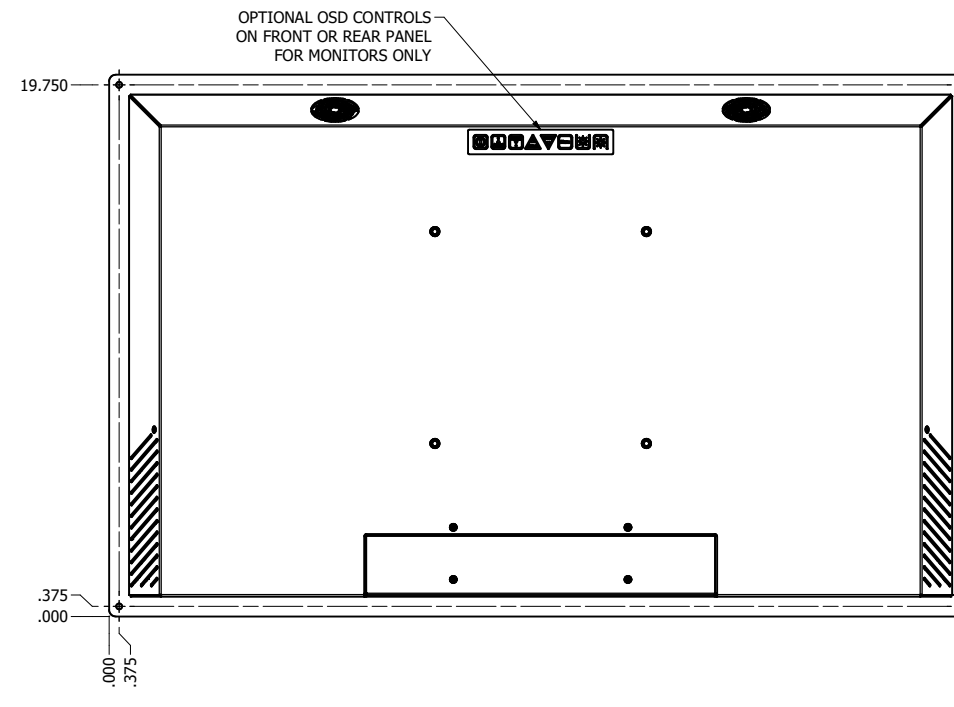
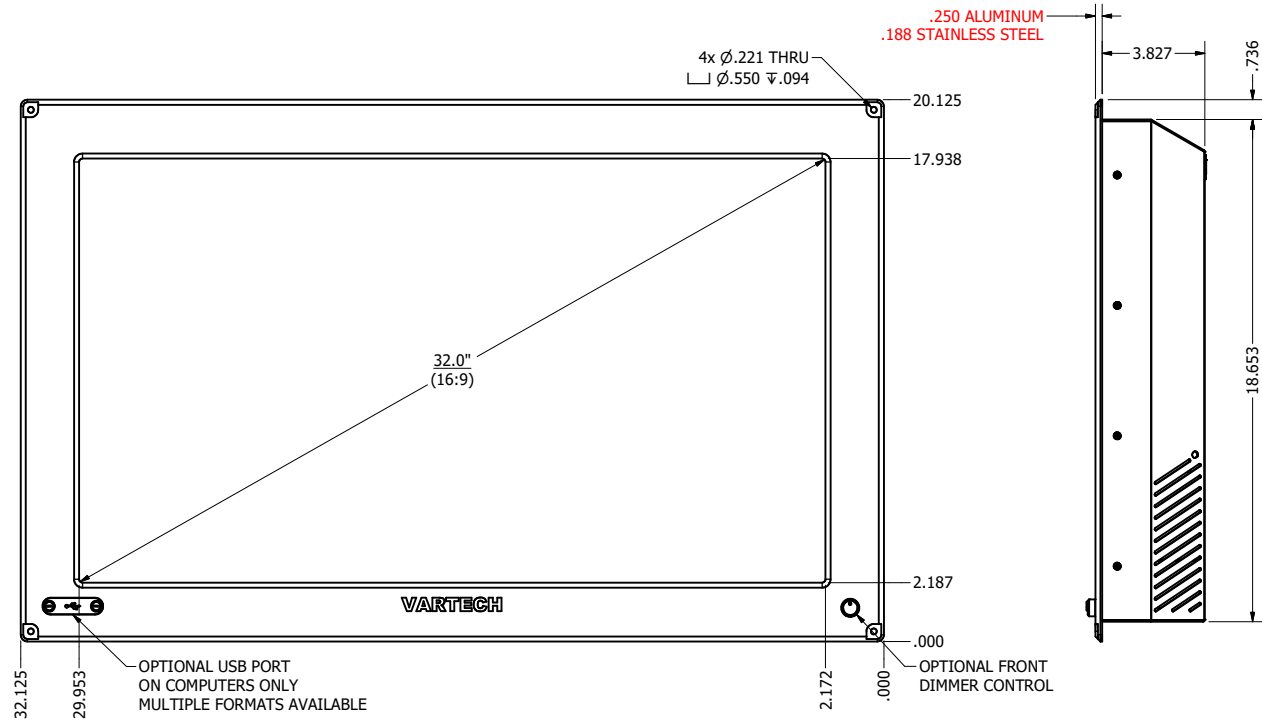
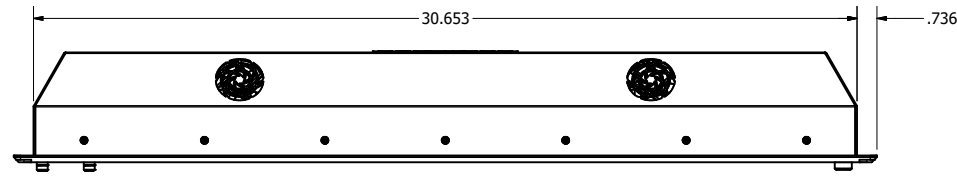


32.0" CONSOLE MOUNT (Monitor or Panel Computer)

PRELIMINARY DRAWING
DIMENSIONS ARE SUBJECT TO CHANGE

REVISION HISTORY			
REV	DATE	INITIALS	DESCRIPTION
00	11/27/19	MAW	INITIAL RELEASE



DRAWN BY:		USE WITH PRODUCT NUMBER		
MATERIAL & FINISH		TITLE		OUTLINE DRAWING DIAMONDVUE 4
SHEET	SIZE	PART NUMBER	REV	
4 of 6	D	VTDV4#320bCO#	00	
TOLERANCES: .XX=.01 .XXX=.005				