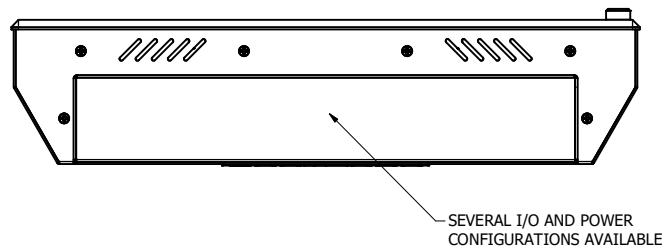
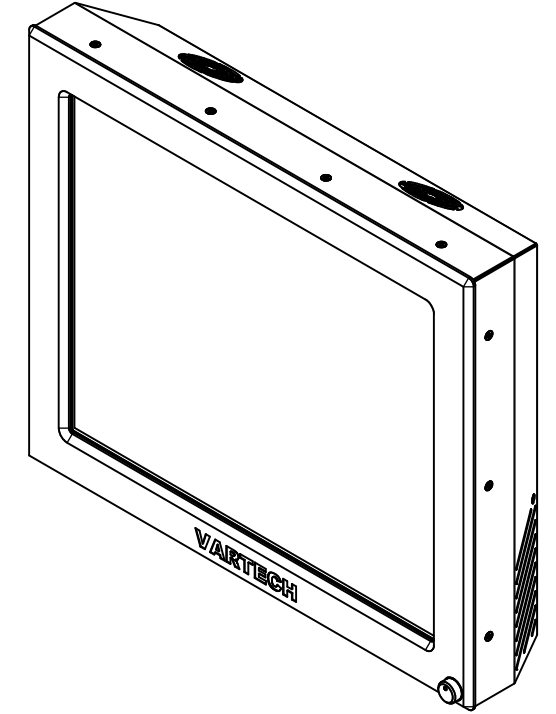
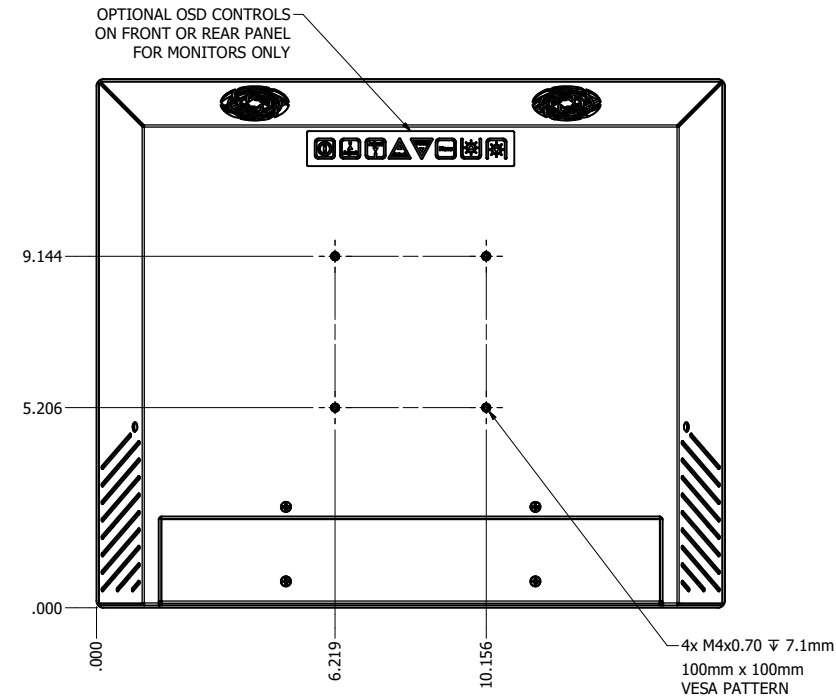
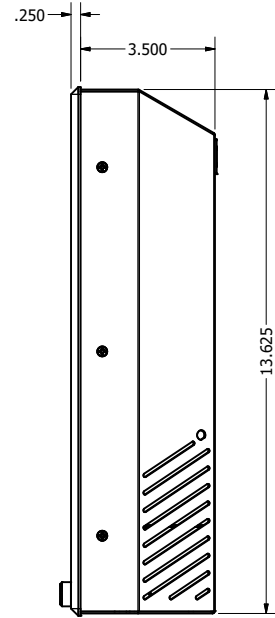
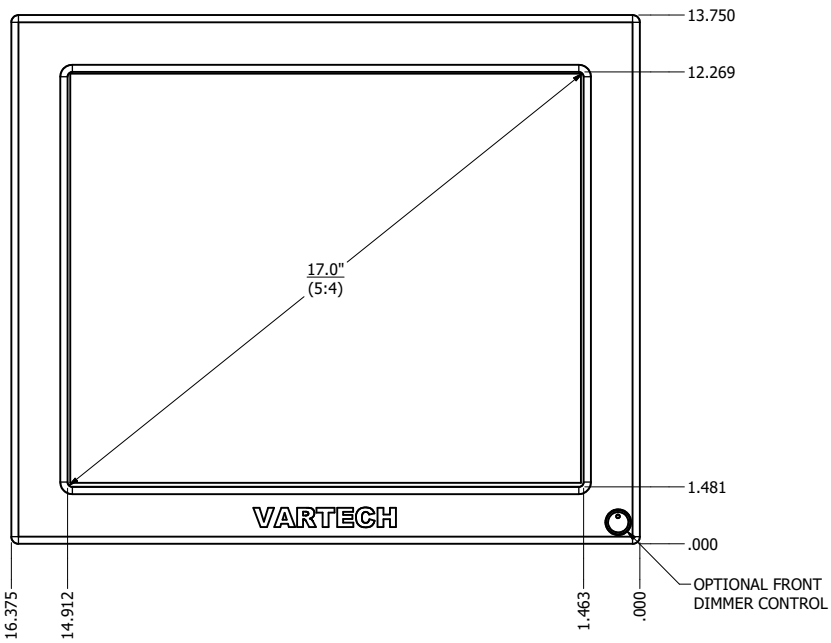
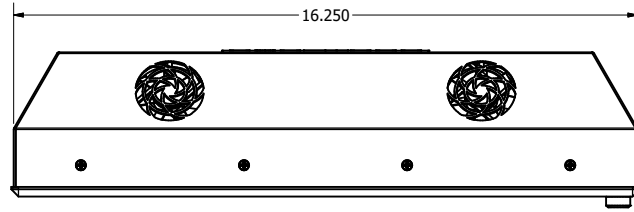


17.0" VESA MOUNT (Monitor or Panel Computer)

PRELIMINARY DRAWING
DIMENSIONS ARE SUBJECT TO CHANGE

| REVISION HISTORY | | | |
|------------------|----------|----------|-----------------|
| REV | DATE | INITIALS | DESCRIPTION |
| 00 | 11/27/19 | MAW | INITIAL RELEASE |



| | | | | |
|-------------------------------|-----------|---------------------------------|-----------|--|
| DRAWN BY: | | USE WITH PRODUCT NUMBER | | |
| MATERIAL & FINISH | | TITLE | | |
| TOLERANCES: .XX=.01 .XXX=.005 | | OUTLINE DRAWING DIAMONDVUE 4 | | |
| SHEET 2 of 7 | SIZE D | PART NUMBER VTDV4#170dVEA | REV 00 | |