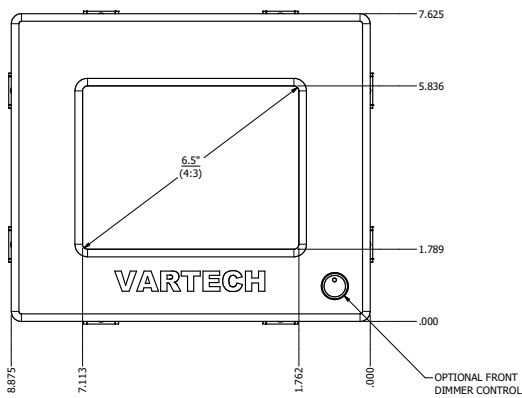
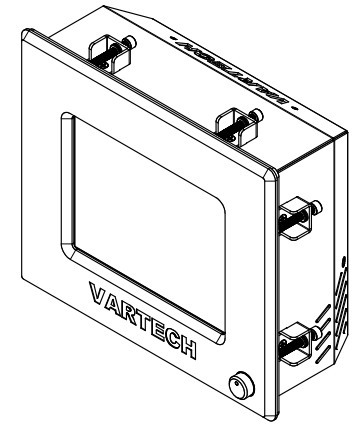
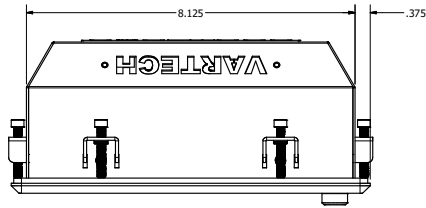


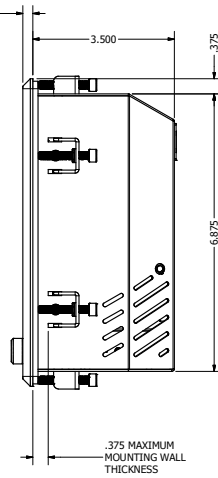
6.5" CLIP MOUNT (Monitor or Panel Computer)

PRELIMINARY DRAWING
DIMENSIONS ARE SUBJECT TO CHANGE

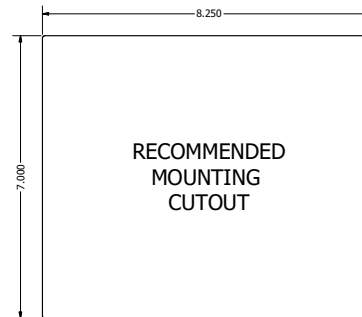
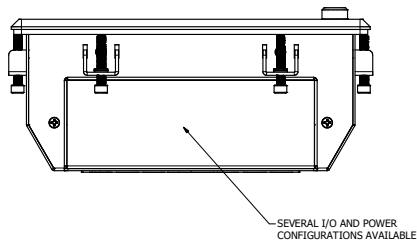
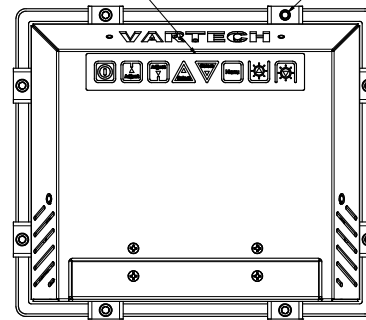
REVISION HISTORY			
REV	DATE	INITIALS	DESCRIPTION
00	11/27/19	MAV	INITIAL RELEASE



.250 ALUMINUM
.188 STAINLESS STEEL



OPTIONAL OSD CONTROLS
ON FRONT OR REAR PANEL
FOR MONITORS ONLY



DRAWN BY: mwilliam		11/26/2019	
USE WITH PRODUCT NUMBER			
MATERIAL & FINISH		TITLE	
		OUTLINE DRAWING	
		DIAMONDVUE 4	
SHEET	SIZE	PART NUMBER	REV
5 OF 5	D	VTDV4#065aCP#	00
TOLERANCES: .XX=.01 .XXX=.005			

