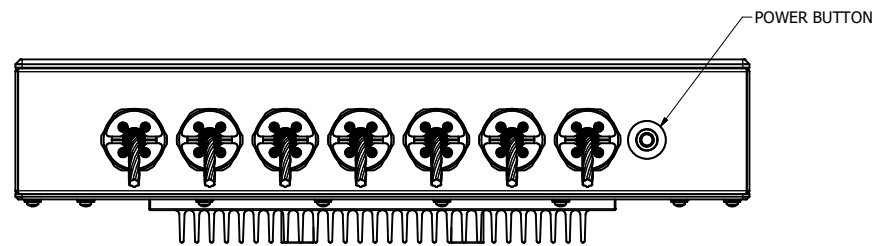
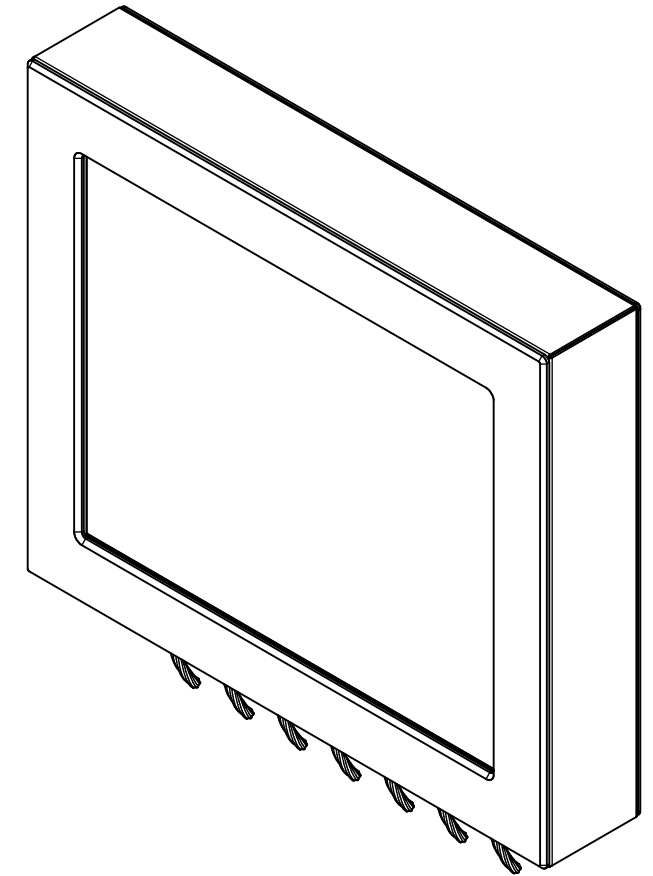
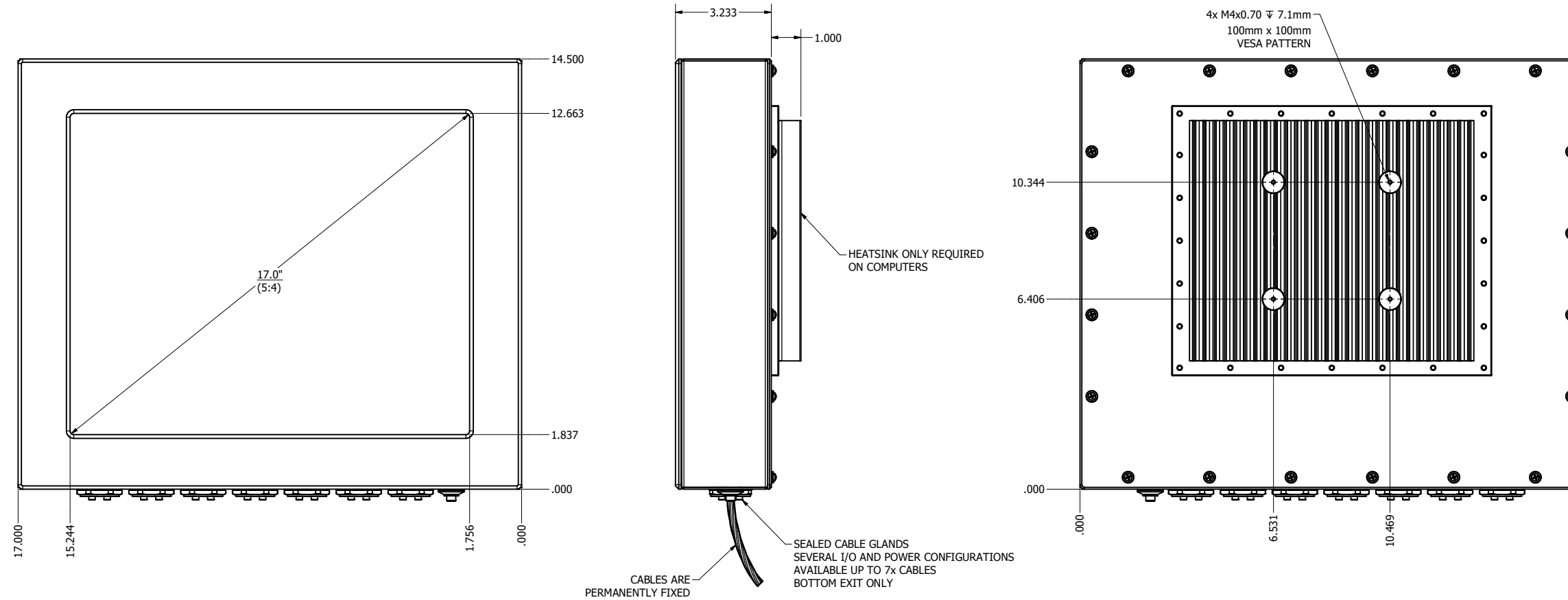


REVISION HISTORY			
REV	DATE	INITIALS	DESCRIPTION
0	9/28/2009	SAH	INITIAL RELEASE
1	4/6/2021	COG	UPDATED TO MATCH VARTECH STANDARD DRAWING

**UNIT IS CERTIFIED FOR
CLASS 1 DIVISION 2 / CLASS 2 DIVISION 2
IN A HAZARDOUS ENVIRONMENT**

Based on MET Labs File: E212370 / Report: 27439
Approval Date February 22, 2010



DRAWN BY:		USE WITH PRODUCT NUMBER		 VARTECH SYSTEMS INC.
MATERIAL & FINISH		TITLE		
TOLERANCES: .XX=.01 .XXX=.005		1 of 1		OUTLINE DRAWING C1D2 / C2D2 TOUGH STATION SHEET 1 OF 1 SIZE D PART NUMBER VTPC700VS REV 1