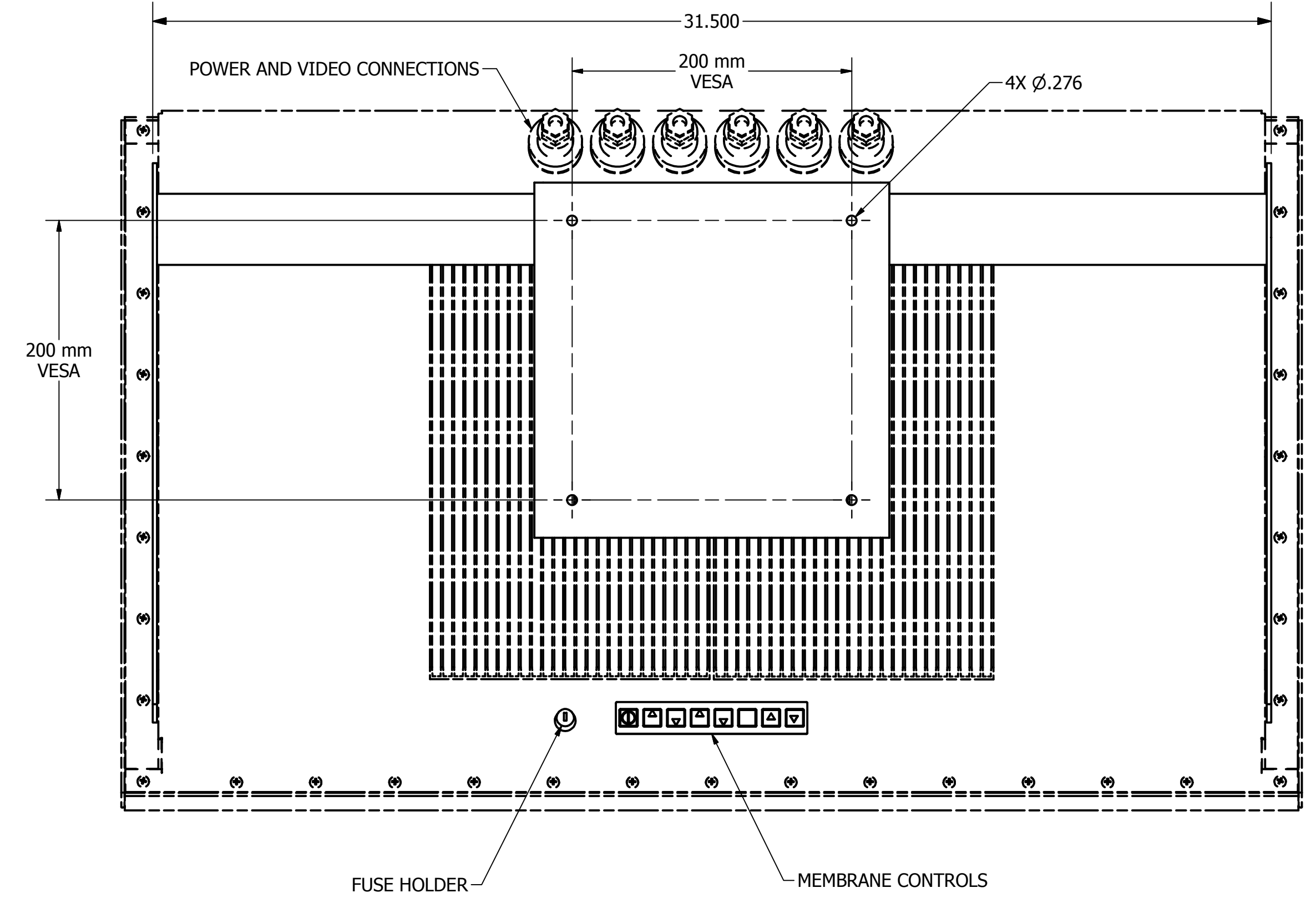
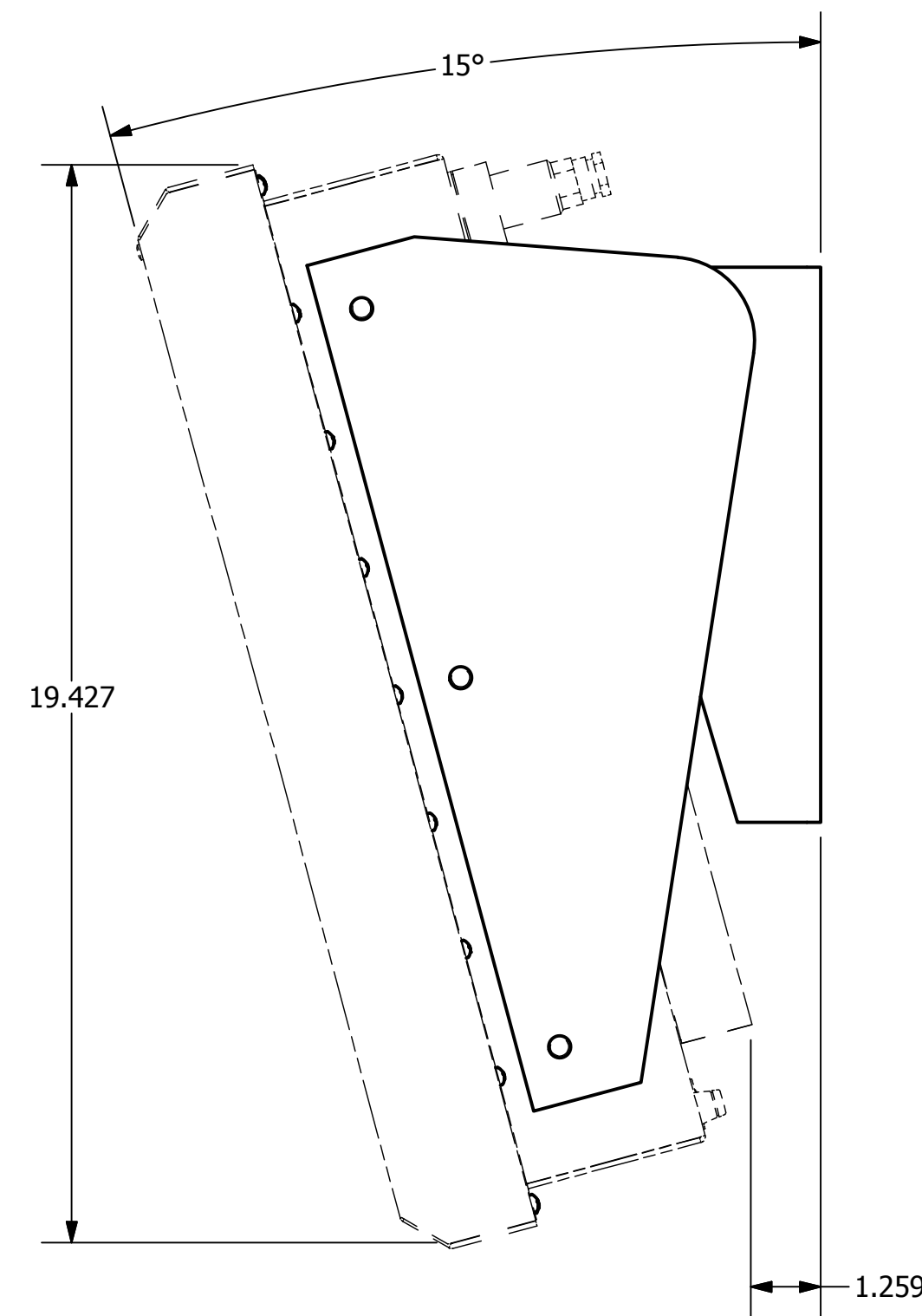
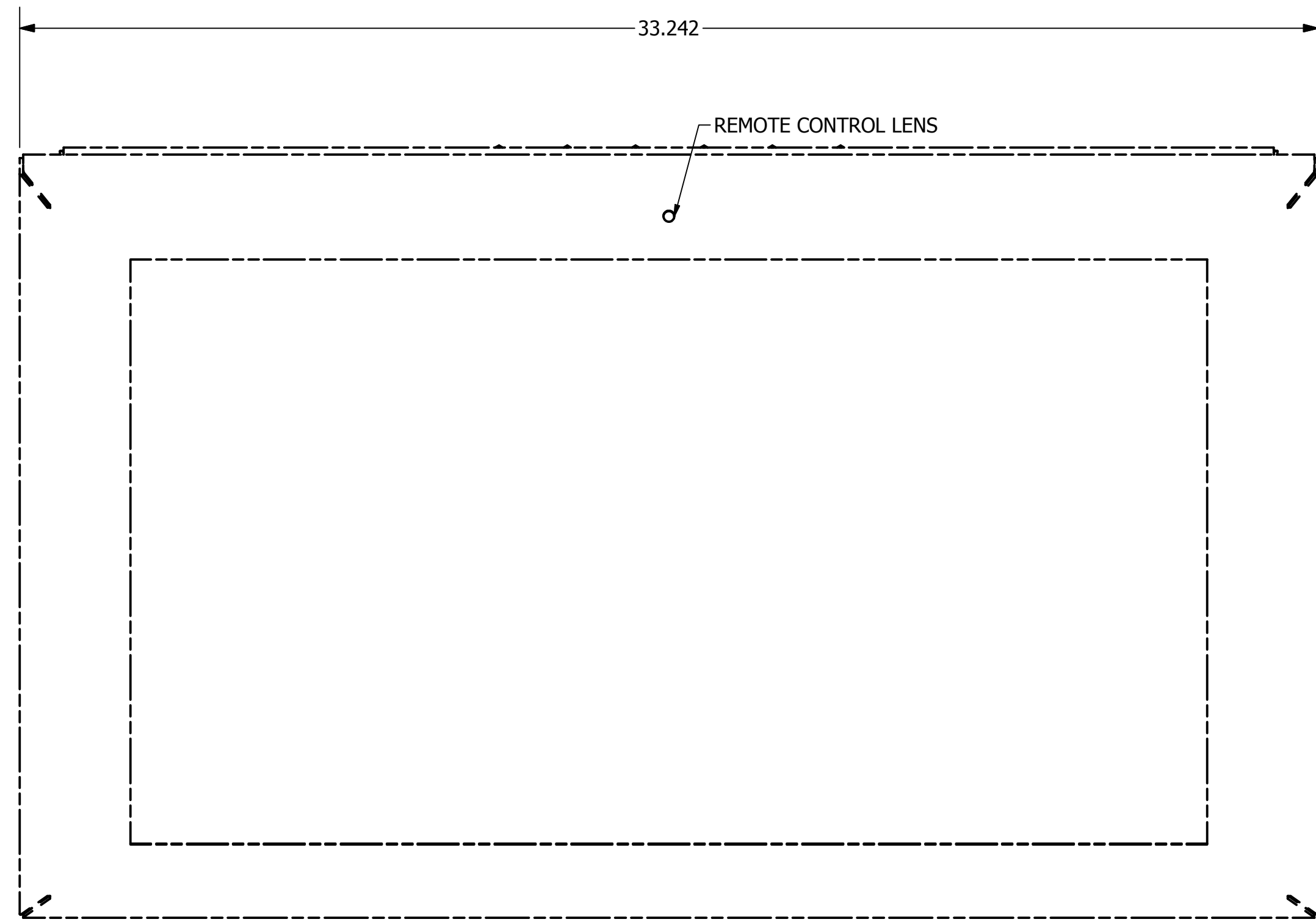



REVISION HISTORY			
REV	DESCRIPTION	APPROVED	DATE
01	INITIAL RELEASE	JAC	8/15/2011



DRAWN	ACARLTON	8/15/2011	 VARTECH SYSTEMS									
CHECKED												
QA			WALL MOUNT, VT320VHB									
MFG												
APPROVED			<table border="1"> <tr> <td>SIZE</td> <td>TOLERANCES:</td> <td>DWG NO</td> <td>REV</td> </tr> <tr> <td>D</td> <td>.XX = .01 .XXX = .005</td> <td>482-0136</td> <td>01</td> </tr> </table>		SIZE	TOLERANCES:	DWG NO	REV	D	.XX = .01 .XXX = .005	482-0136	01
SIZE	TOLERANCES:	DWG NO			REV							
D	.XX = .01 .XXX = .005	482-0136	01									
USED ON	MATERIAL:		<table border="1"> <tr> <td>FINISH:</td> <td></td> </tr> </table>		FINISH:							
FINISH:												
APPLICATION												