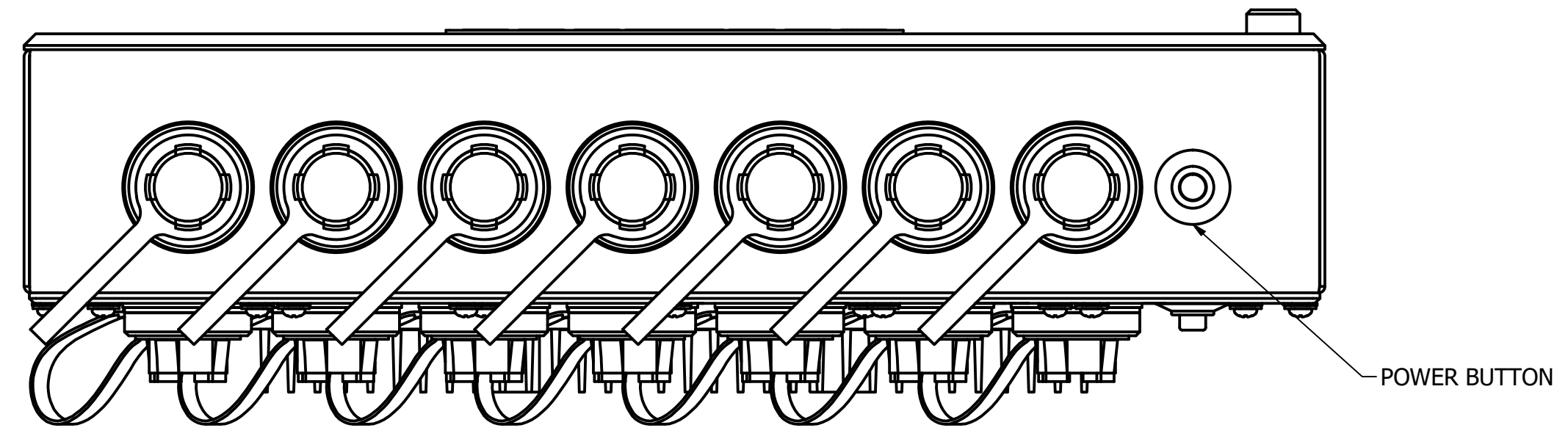
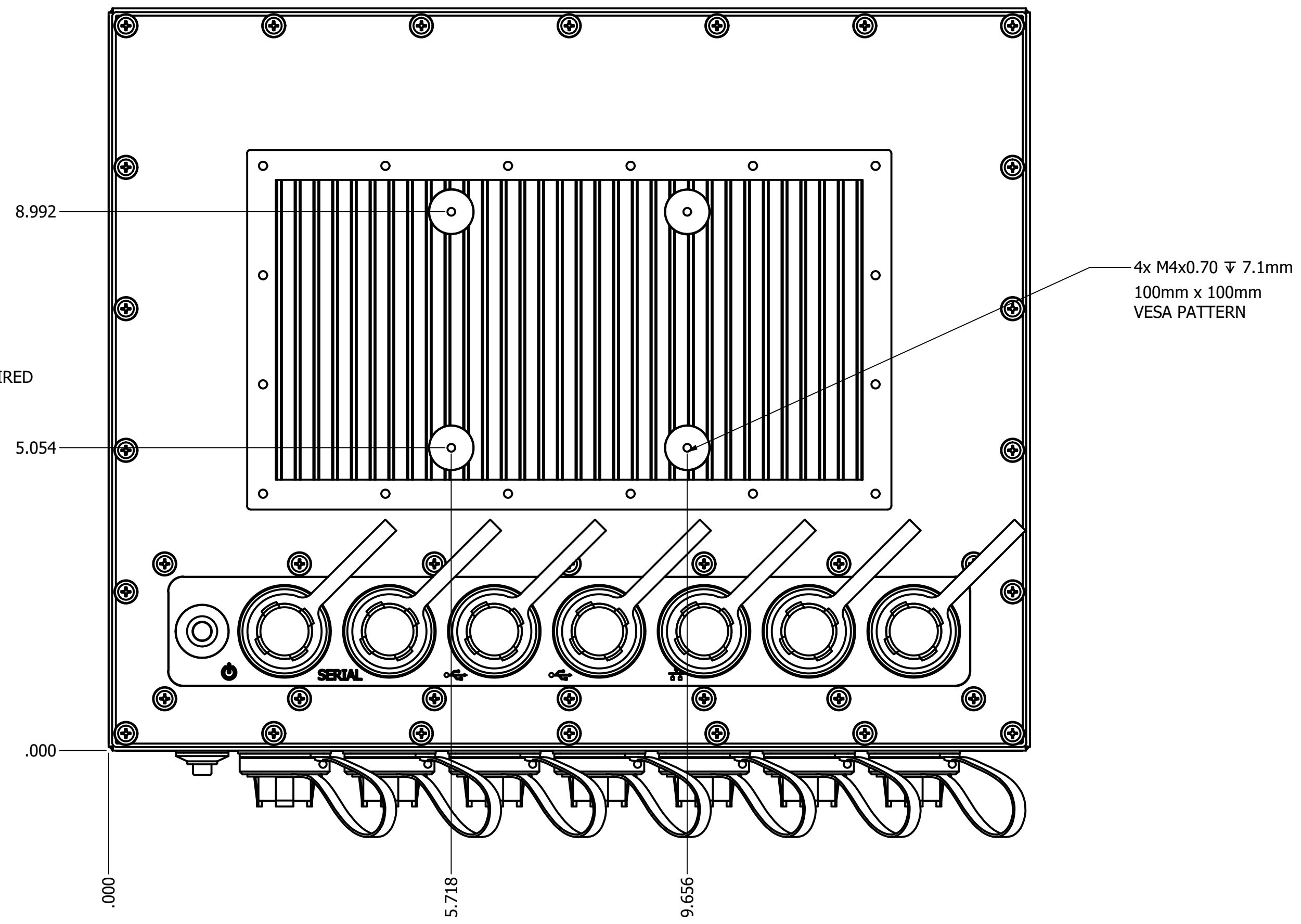
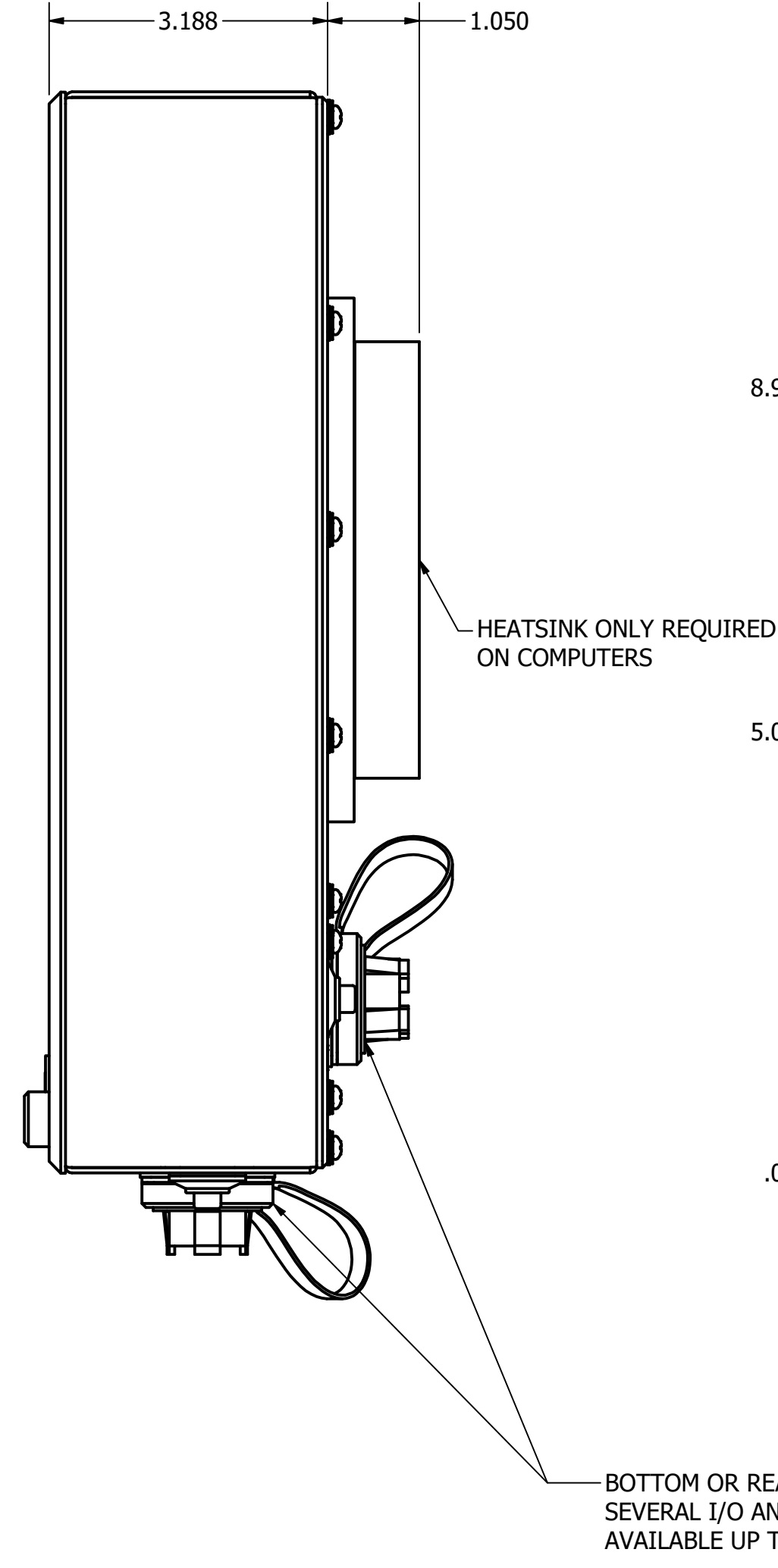
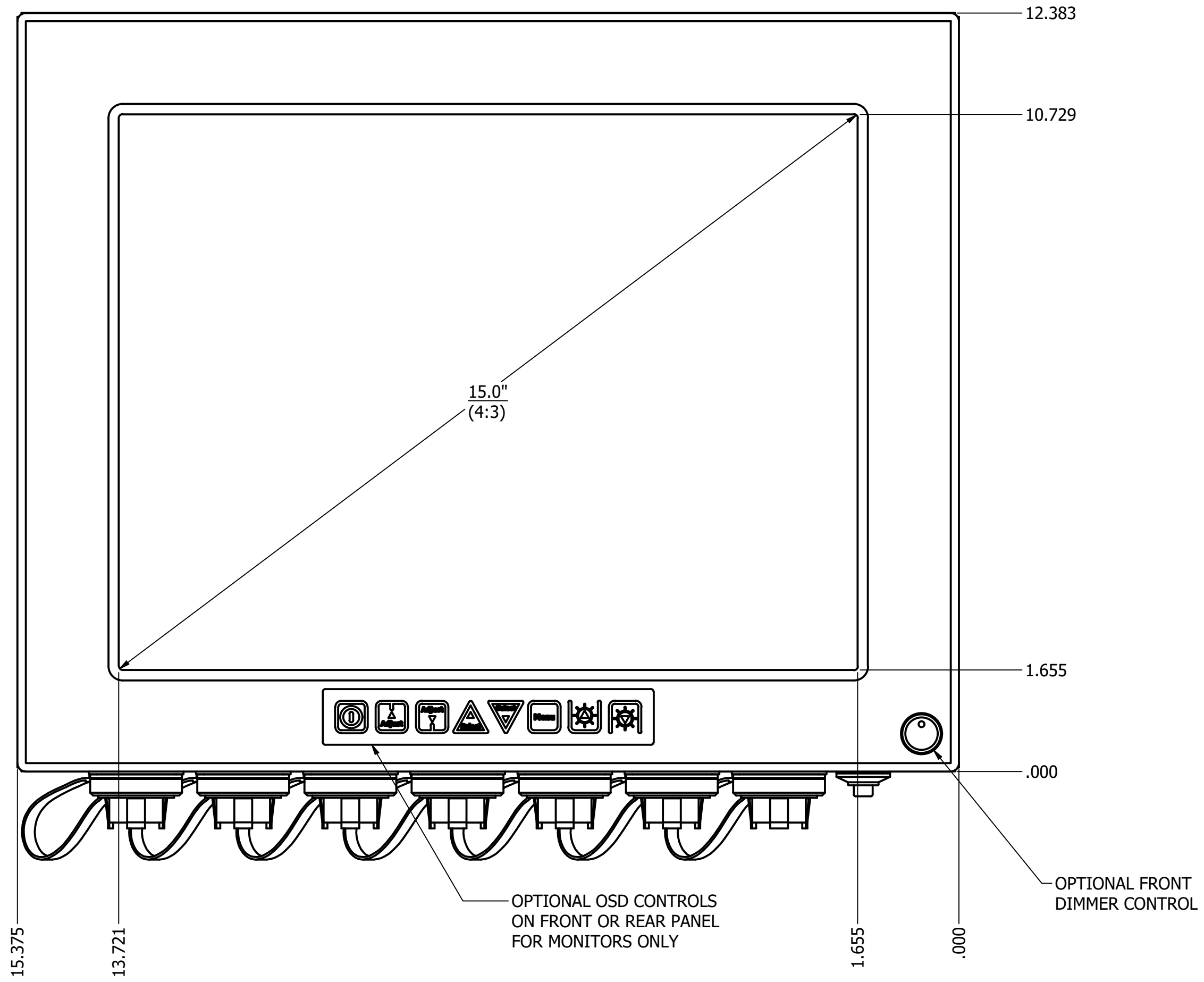
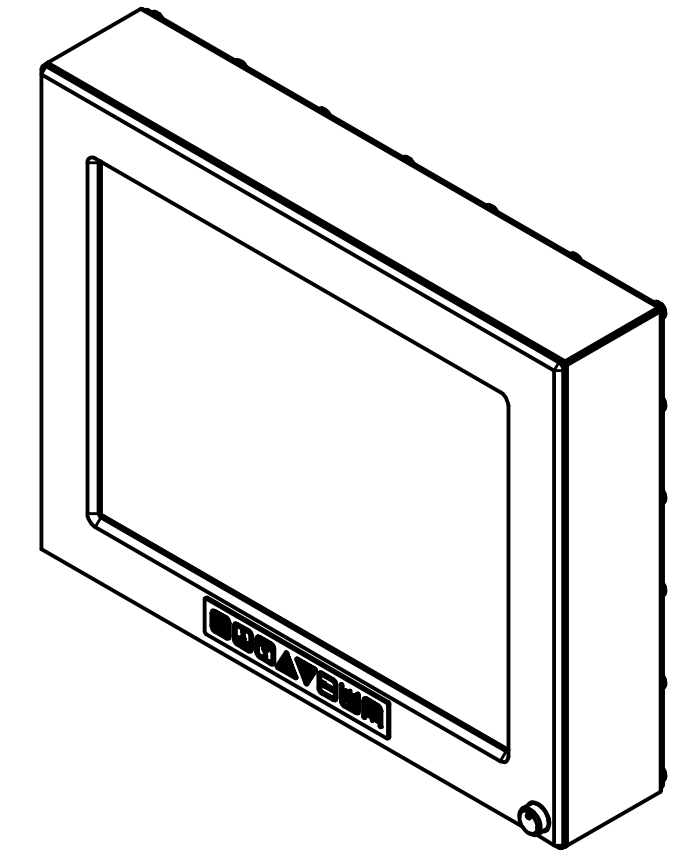


15.0" VESA MOUNT (Monitor or Computer)

PRELIMINARY DRAWING
DIMENSIONS ARE SUBJECT TO CHANGE

REVISION HISTORY			
REV	DATE	INITIALS	DESCRIPTION
00	3/25/2021	TAK	INITIAL RELEASE



DRAWN BY: TAK		3/25/2021		 VARTECH SYSTEMS INC.	
USE WITH PRODUCT NUMBER					
MATERIAL, BEND RADIUS & FINISH				OUTLINE DRAWING TOUGH STATION - GEN 3	
SHEET	SIZE	PART NUMBER	REV		
1 of 1	D	VTT3#150aVE#	00		
TOLERANCES: .XX=.01 .XXX=.005					