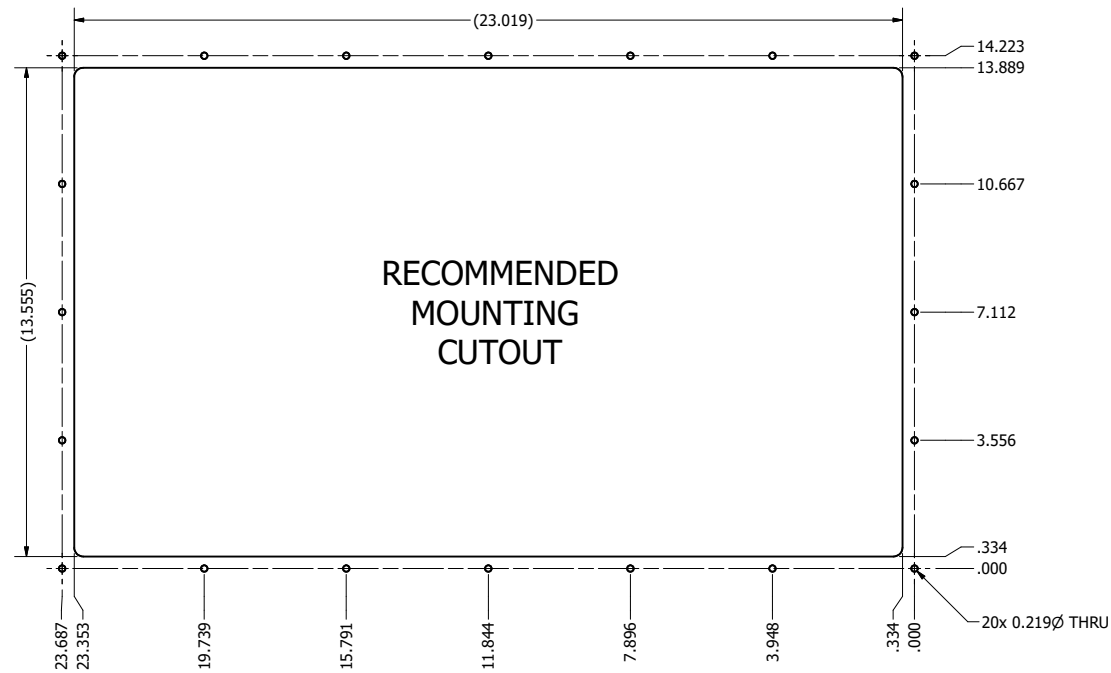
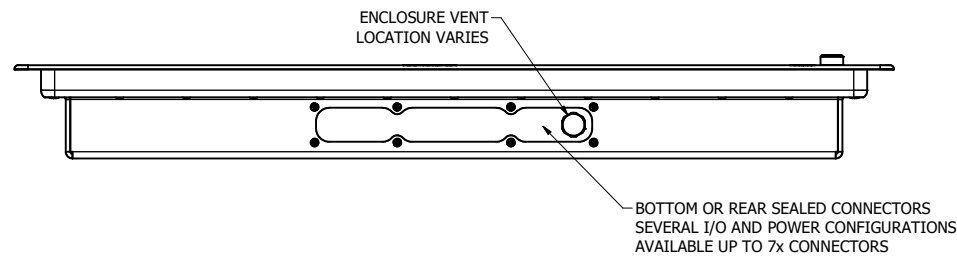
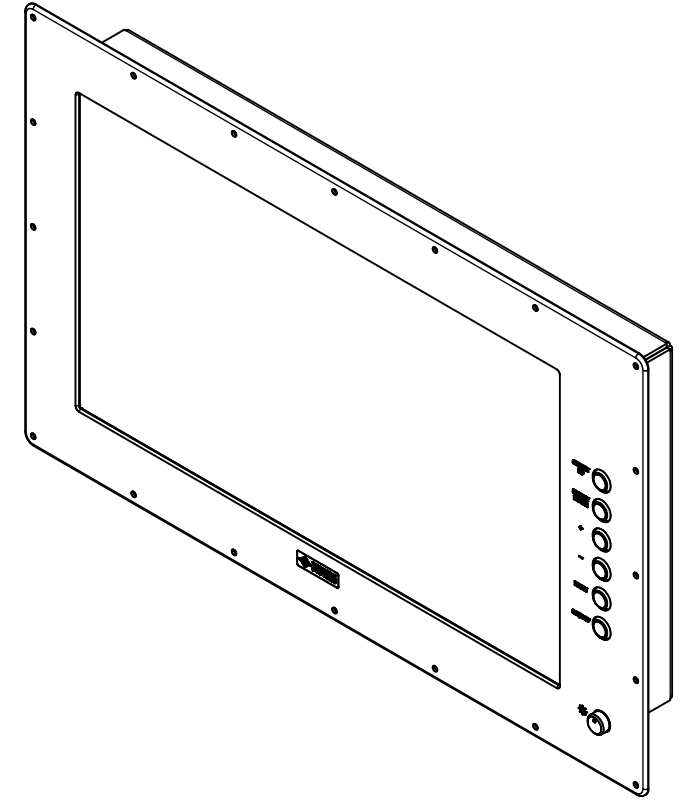
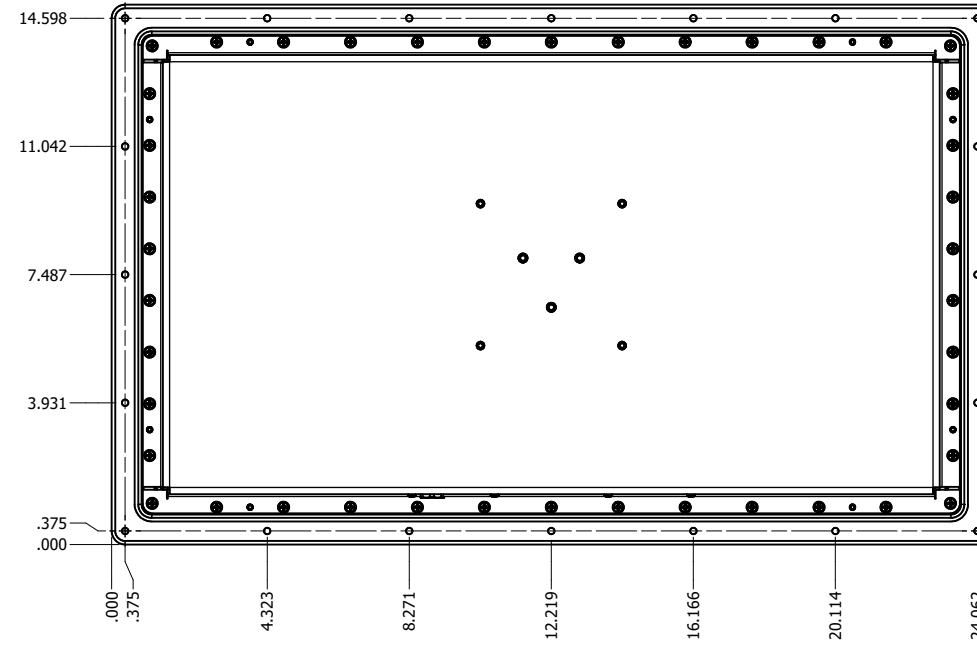
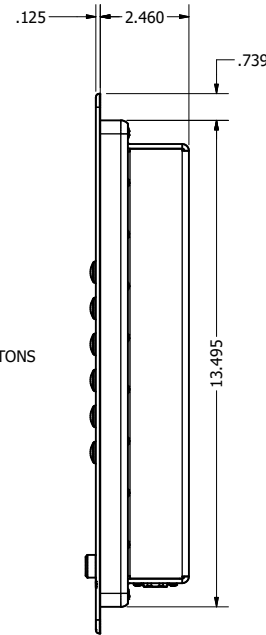
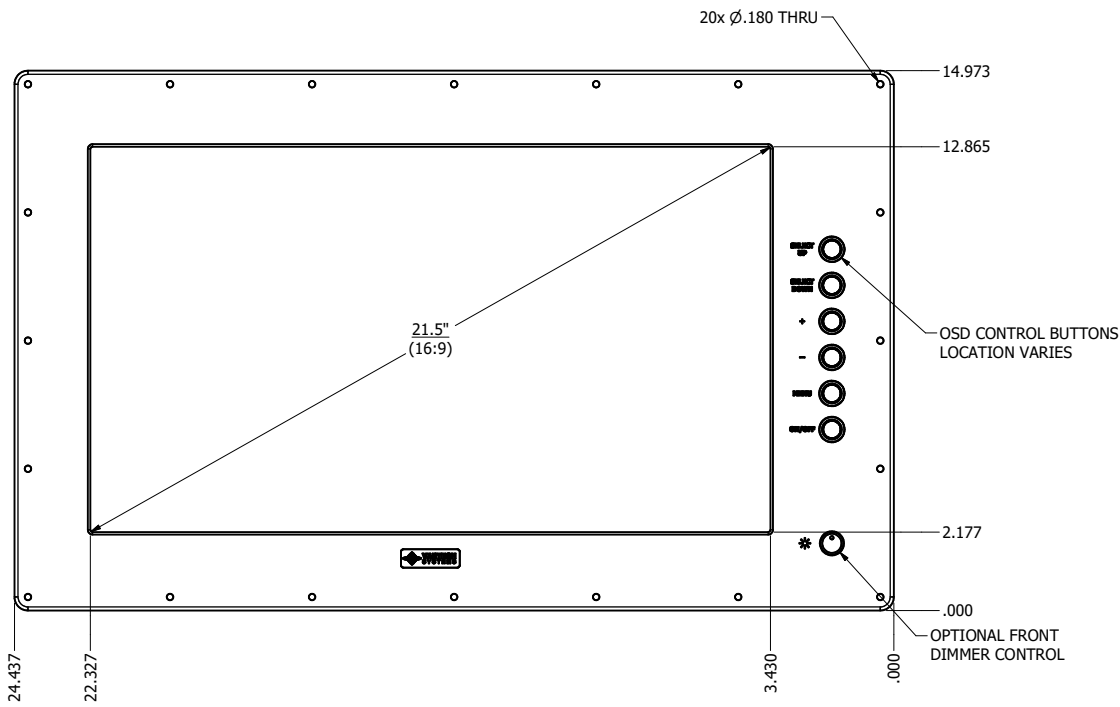
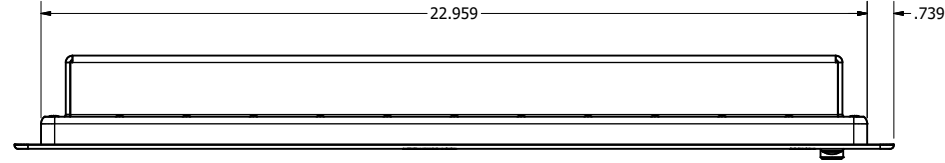


21.5" AW4 CONSOLE MOUNT EXTREME (Monitor)

PRELIMINARY DRAWING
DIMENSIONS ARE SUBJECT TO CHANGE

REVISION HISTORY			
REV	DATE	INITIALS	DESCRIPTION
0	4/12/2021	TAK	INITIAL RELEASE



DRAWN BY: TAK		4/26/2017	
USE WITH PRODUCT NUMBER			
MATERIAL & FINISH			
TOLERANCES: .XX=-.01 .XXX=-.005			

TITLE			
OUTLINE DRAWING ALL-WEATHER - GEN 4			
SHEET	SIZE	PART NUMBER	REV
4 of 4	D	VTAW4M215bCXA	0