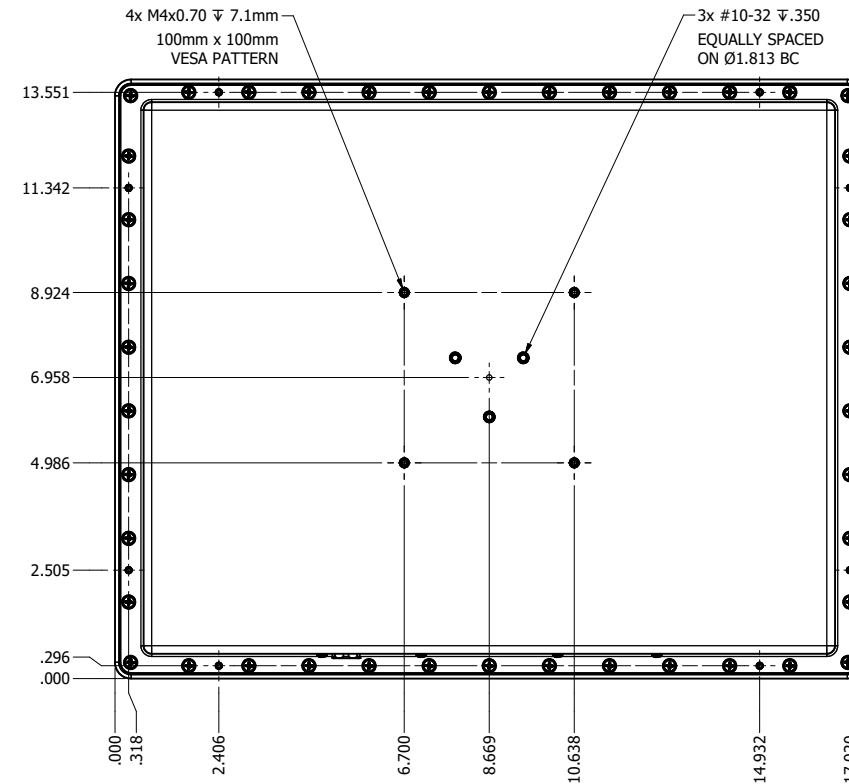
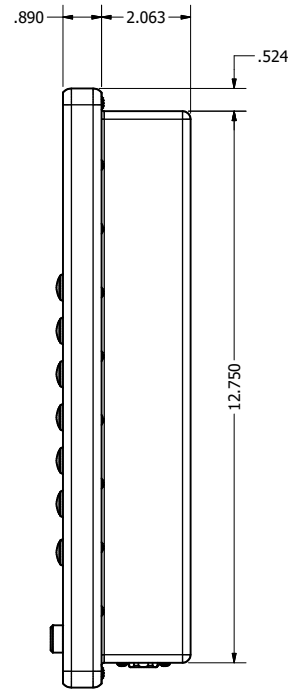
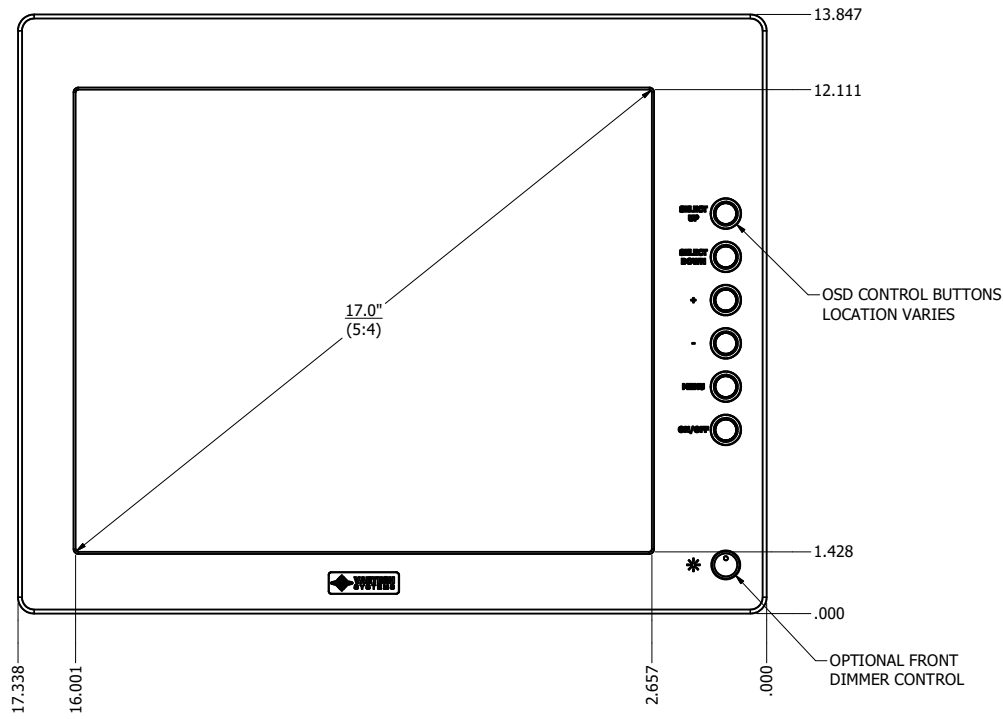
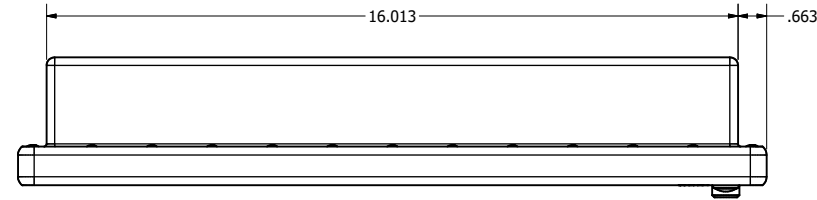


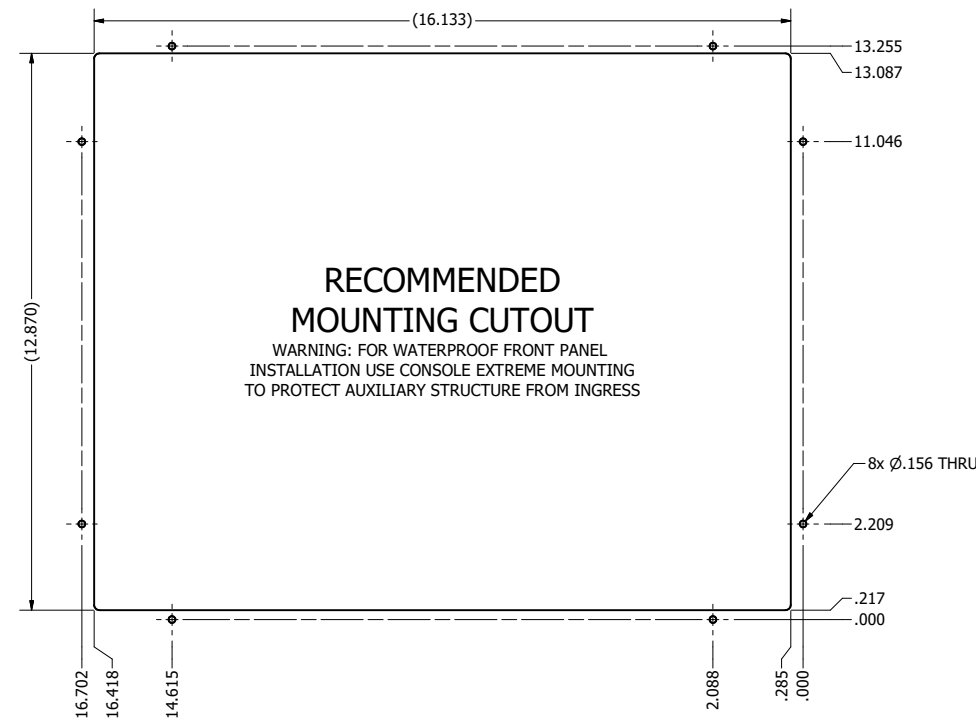
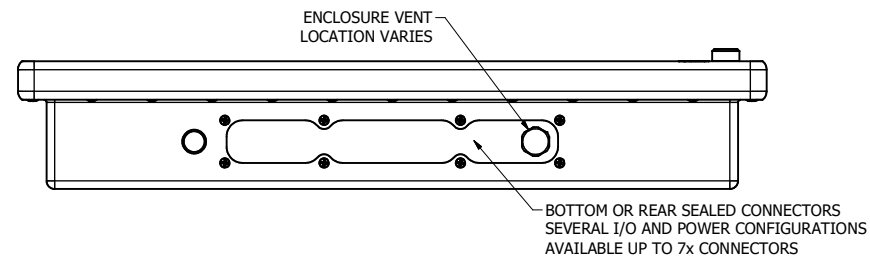
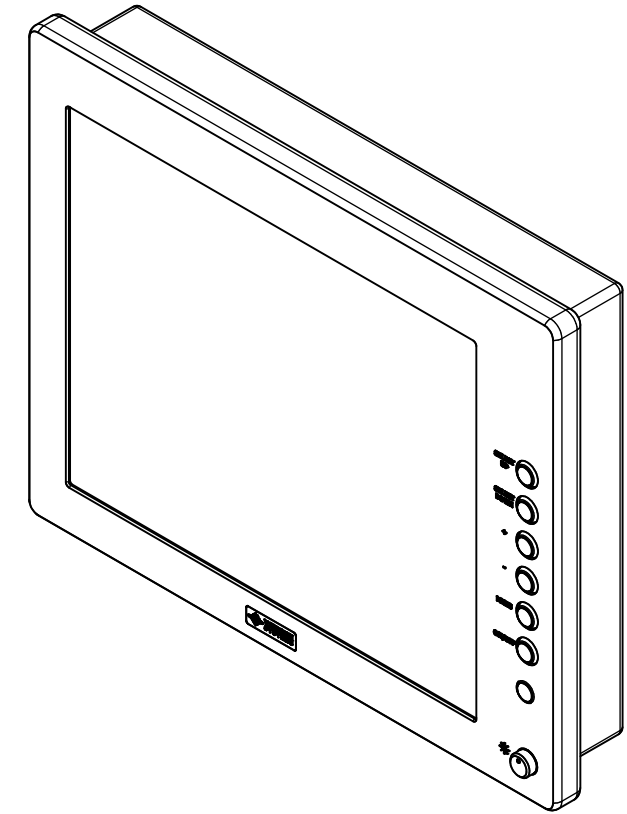
17.0" AW4 DIVERSE MOUNTING (Monitor)

PRELIMINARY DRAWING  
DIMENSIONS ARE SUBJECT TO CHANGE

REVISION HISTORY			
REV	DATE	INITIALS	DESCRIPTION
0	4/12/2021	maw	INITIAL RELEASE



8x #6-32 x .44  
FOR ALL-WEATHER STYLE PANEL MOUNT

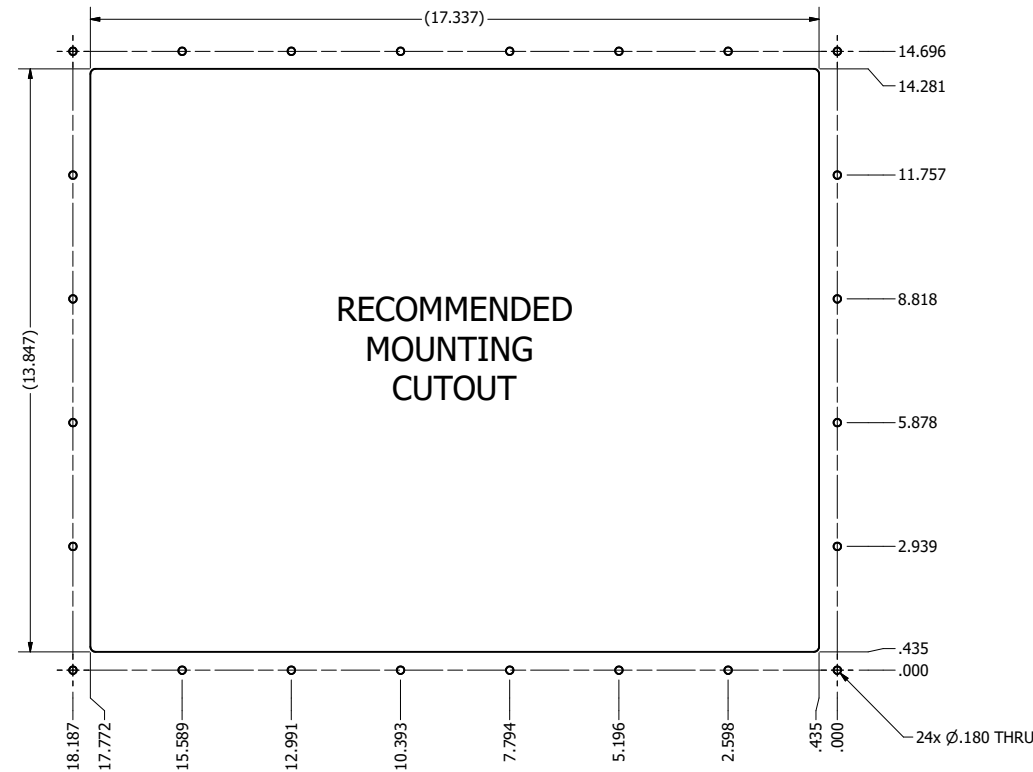
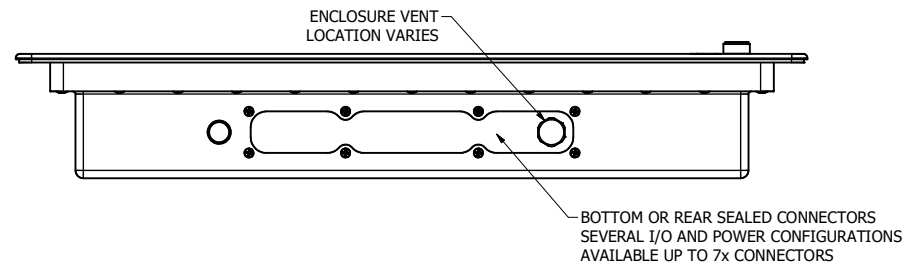
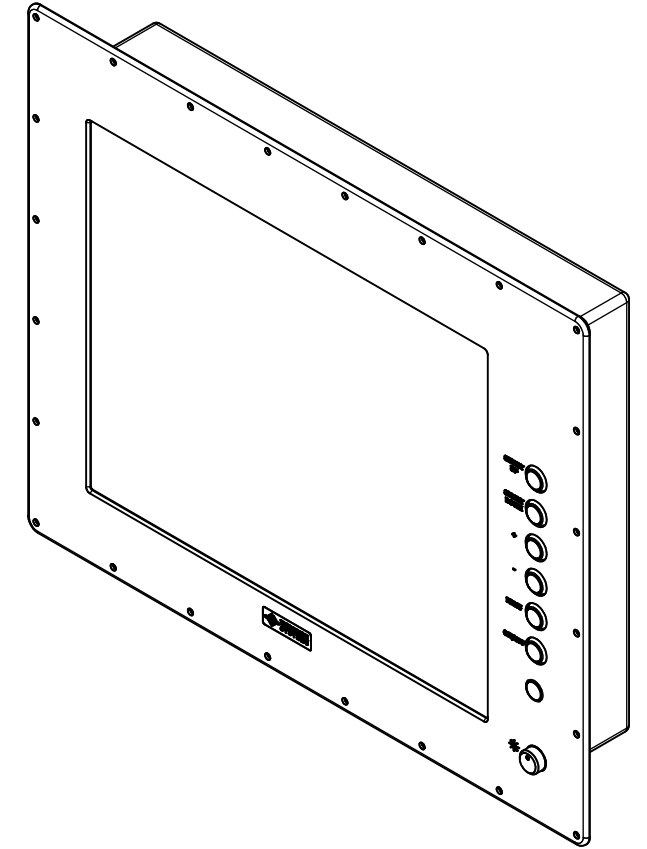
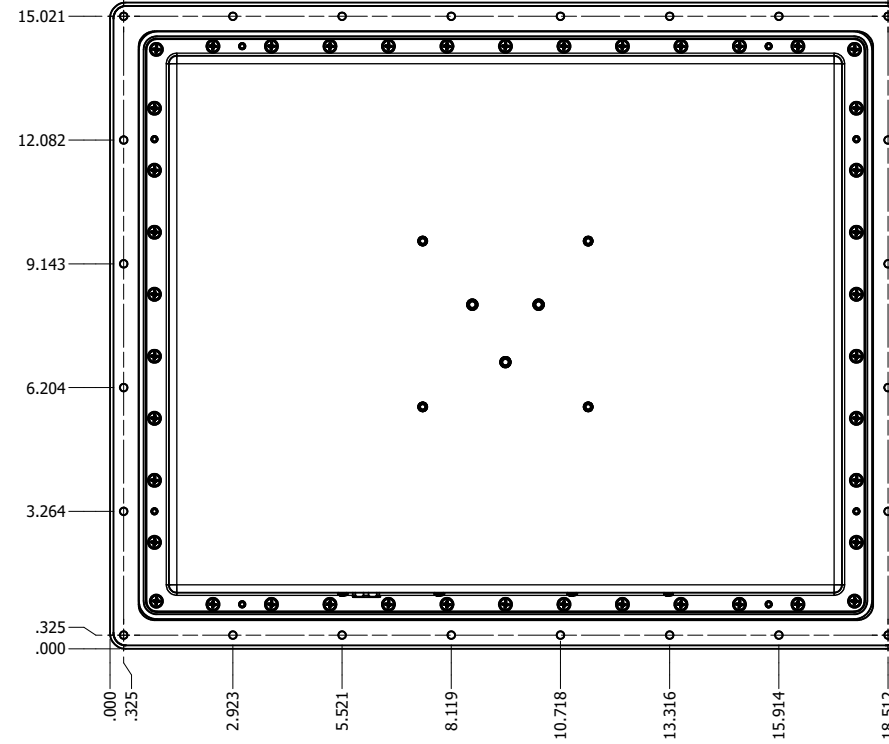
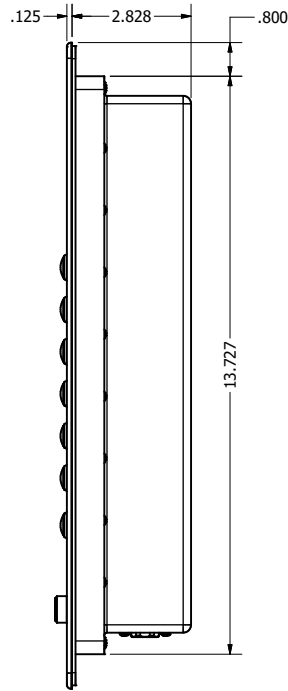
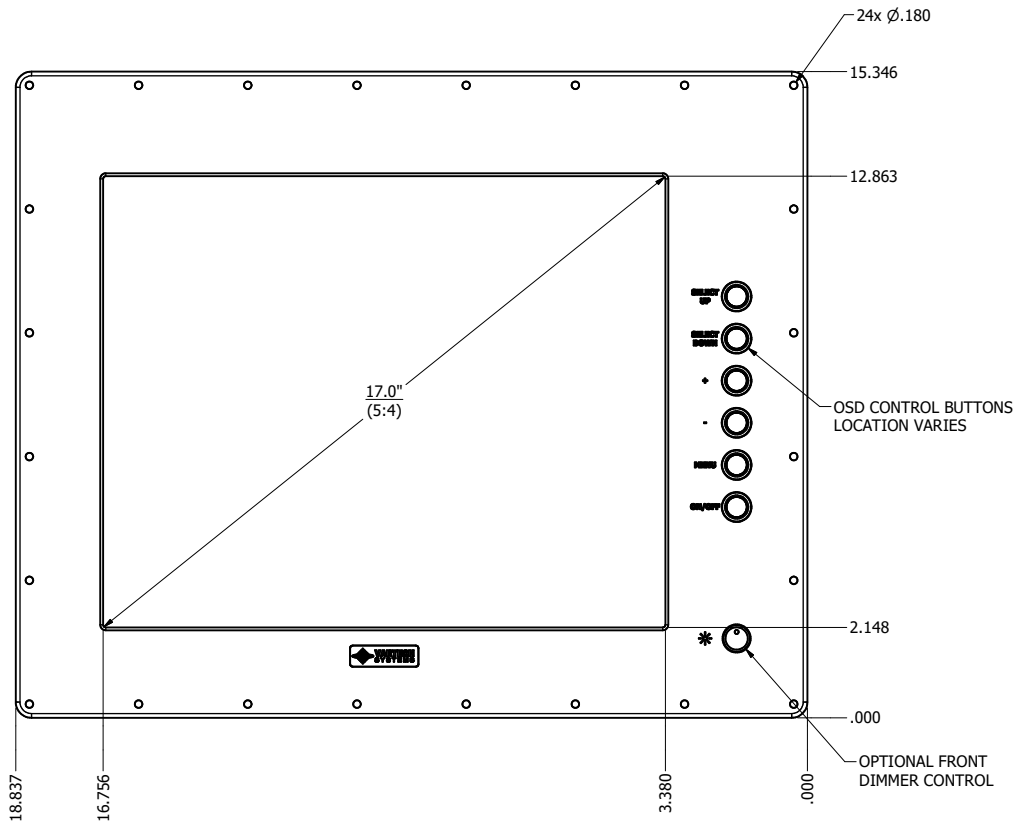
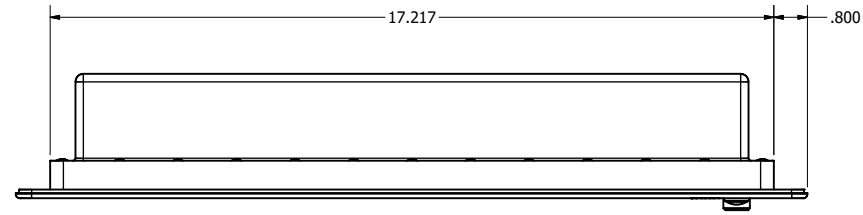


DRAWN BY: mwitham		4/20/2021		 <b>VARTECH</b> SYSTEMS INC.
USE WITH PRODUCT NUMBER				
MATERIAL & FINISH				<b>TITLE</b> OUTLINE DRAWING ALL-WEATHER - GEN 4
SHEET	SIZE	PART NUMBER	REV	
2 OF 4	D	VTAW4M170dADA	0	
TOLERANCES: .XX=-.01 .XXX=-.005				

17.0" AW4 CONSOLE MOUNT EXTREME (Monitor)

PRELIMINARY DRAWING  
DIMENSIONS ARE SUBJECT TO CHANGE

REVISION HISTORY			
REV	DATE	INITIALS	DESCRIPTION
0	4/12/2021	maw	INITIAL RELEASE



DRAWN BY: mwitham		4/20/2021		 <b>VARTECH</b> SYSTEMS INC.
USE WITH PRODUCT NUMBER				
MATERIAL & FINISH				TITLE <b>OUTLINE DRAWING</b> ALL-WEATHER - GEN 4
SHEET	SIZE	PART NUMBER	REV	
4 of 4	D	VTAW4M170dCXA	0	
TOLERANCES: .XX=-.01 .XXX=-.005				