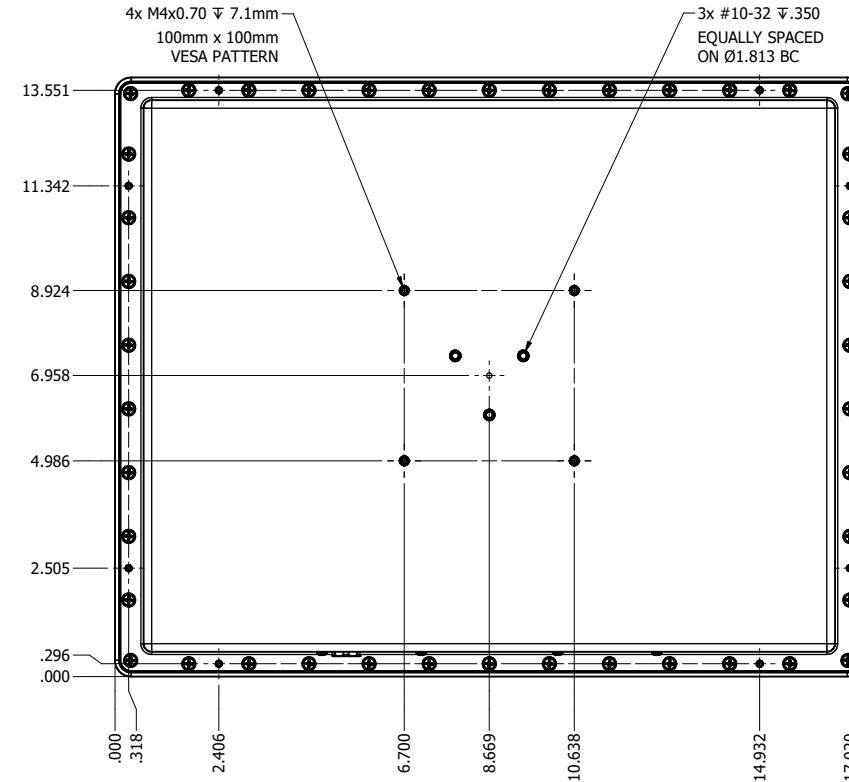
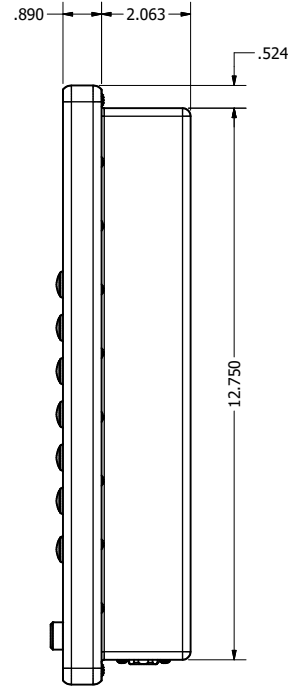
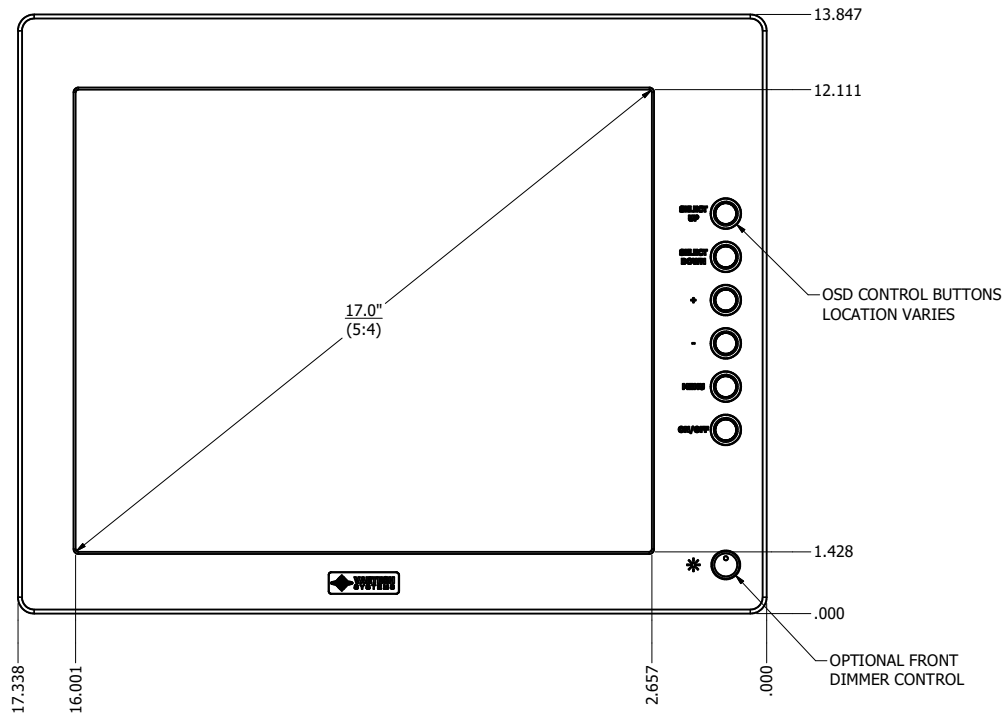
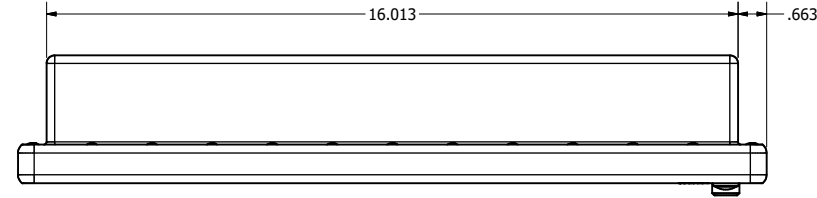


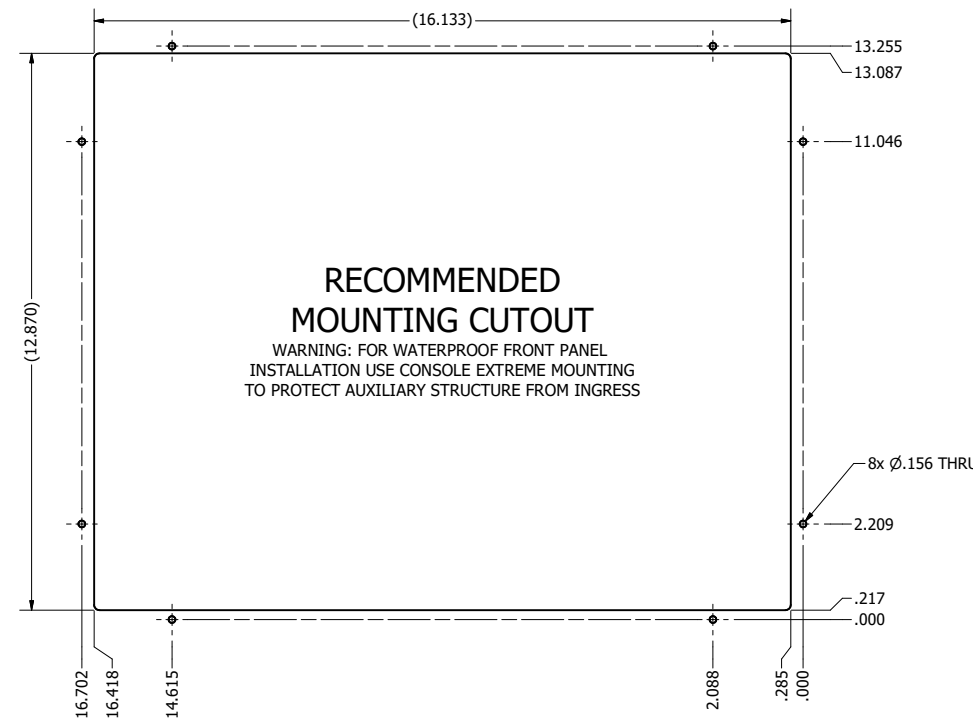
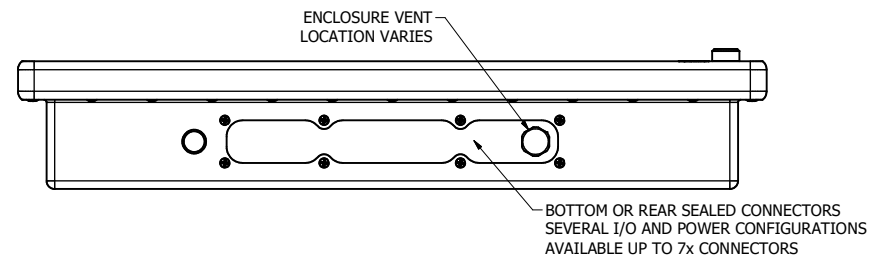
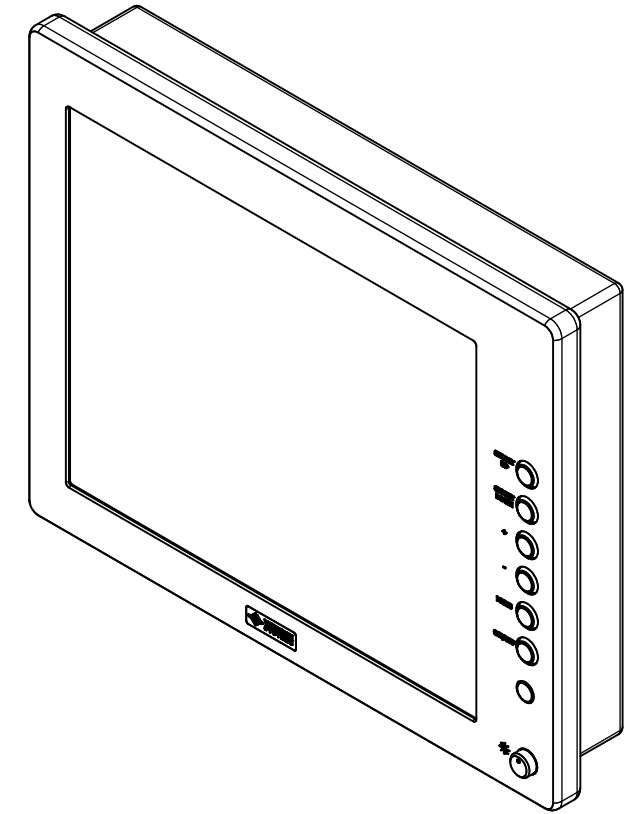
17.0" AW4 DIVERSE MOUNTING (Monitor)

PRELIMINARY DRAWING  
DIMENSIONS ARE SUBJECT TO CHANGE

REVISION HISTORY			
REV	DATE	INITIALS	DESCRIPTION
0	4/12/2021	maw	INITIAL RELEASE



8x #6-32 7.44  
FOR ALL-WEATHER STYLE PANEL MOUNT



**RECOMMENDED MOUNTING CUTOUT**  
WARNING: FOR WATERPROOF FRONT PANEL INSTALLATION USE CONSOLE EXTREME MOUNTING TO PROTECT AUXILIARY STRUCTURE FROM INGRESS

DRAWN BY: mwitham		4/20/2021		
USE WITH PRODUCT NUMBER				
MATERIAL & FINISH				TITLE
				<b>OUTLINE DRAWING</b> ALL-WEATHER - GEN 4
SHEET	SIZE	PART NUMBER	REV	
2 of 4	D	VTAW4M170dADA	0	
TOLERANCES: .XX=-.01 .XXX=-.005				