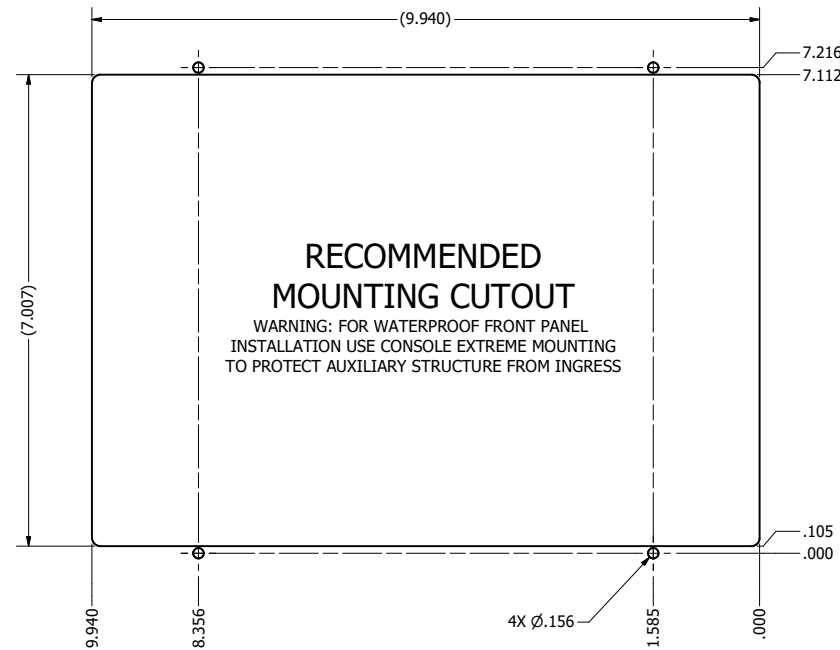
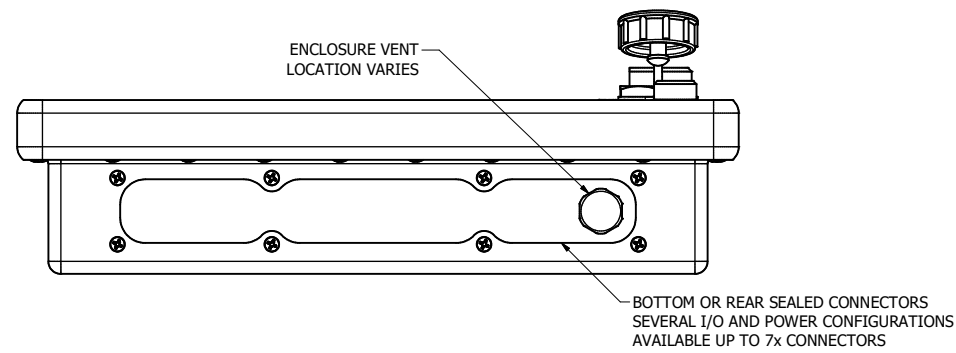
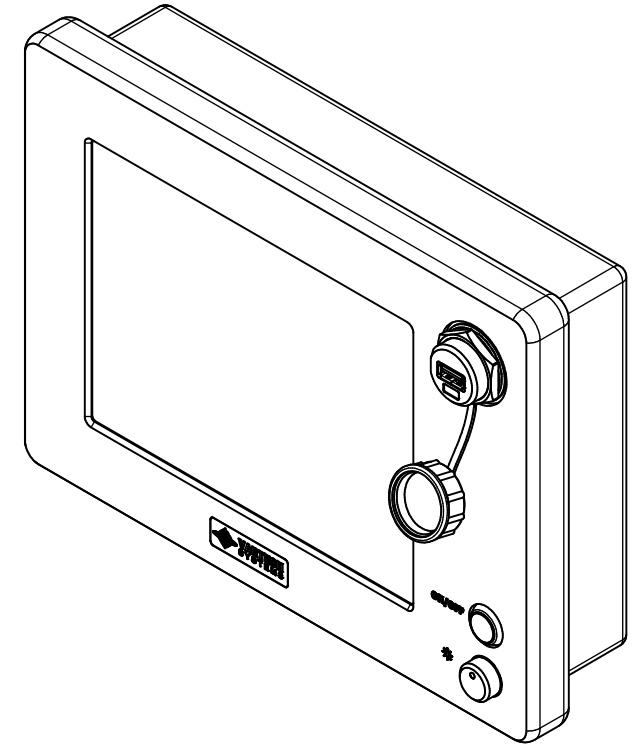
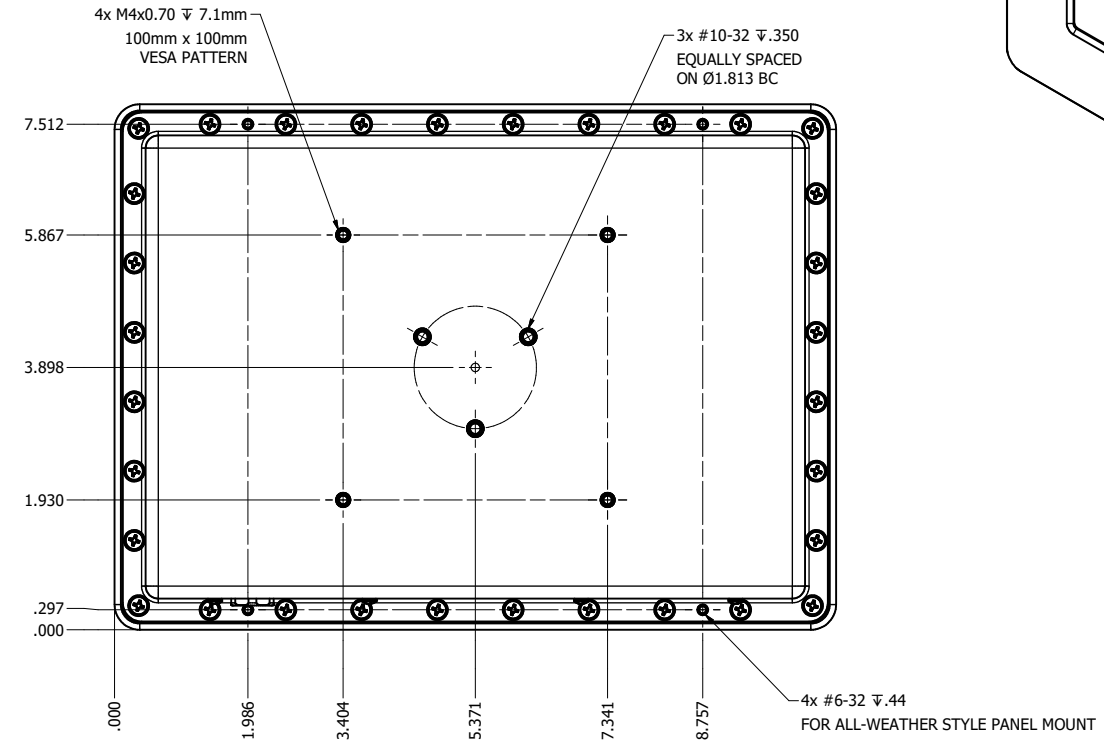
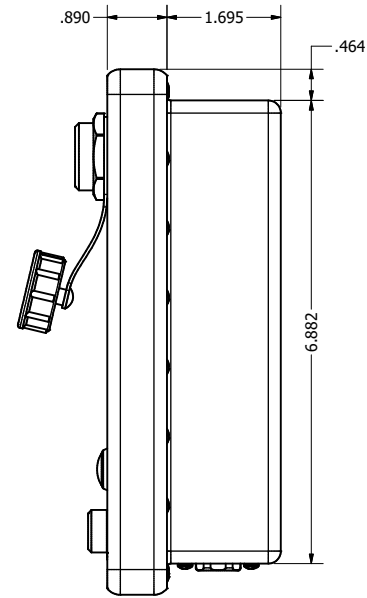
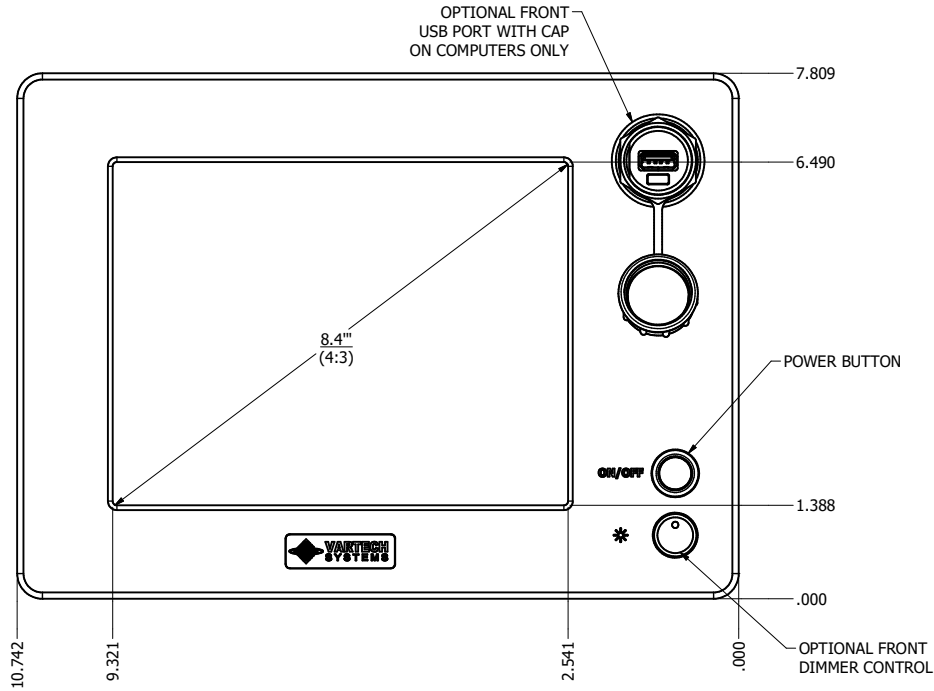
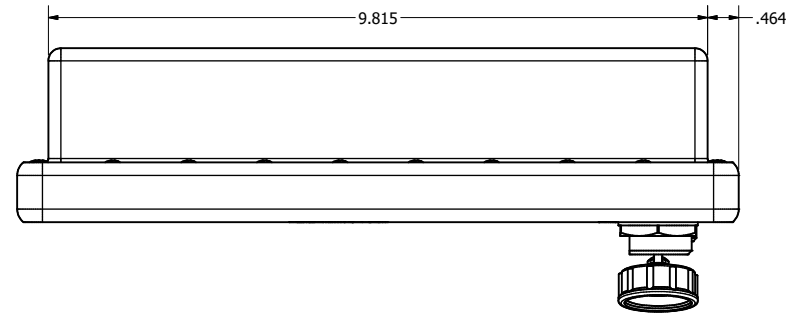


8.4" AW4 DIVERSE MOUNTING (Computer)

PRELIMINARY DRAWING
DIMENSIONS ARE SUBJECT TO CHANGE

REVISION HISTORY			
REV	DATE	INITIALS	DESCRIPTION
0	4/28/2021	COG	INITIAL RELEASE



DRAWN BY: CGRAY		10/25/2019		 VARTECH SYSTEMS INC.
USE WITH PRODUCT NUMBER				
TITLE				OUTLINE DRAWING ALL-WEATHER - GEN 4
MATERIAL & FINISH				
SHEET	SIZE	PART NUMBER	REV	
1 OF 4	D	VTAW4C084aADA	0	
TOLERANCES: .XX=.01 .XXX=.005				