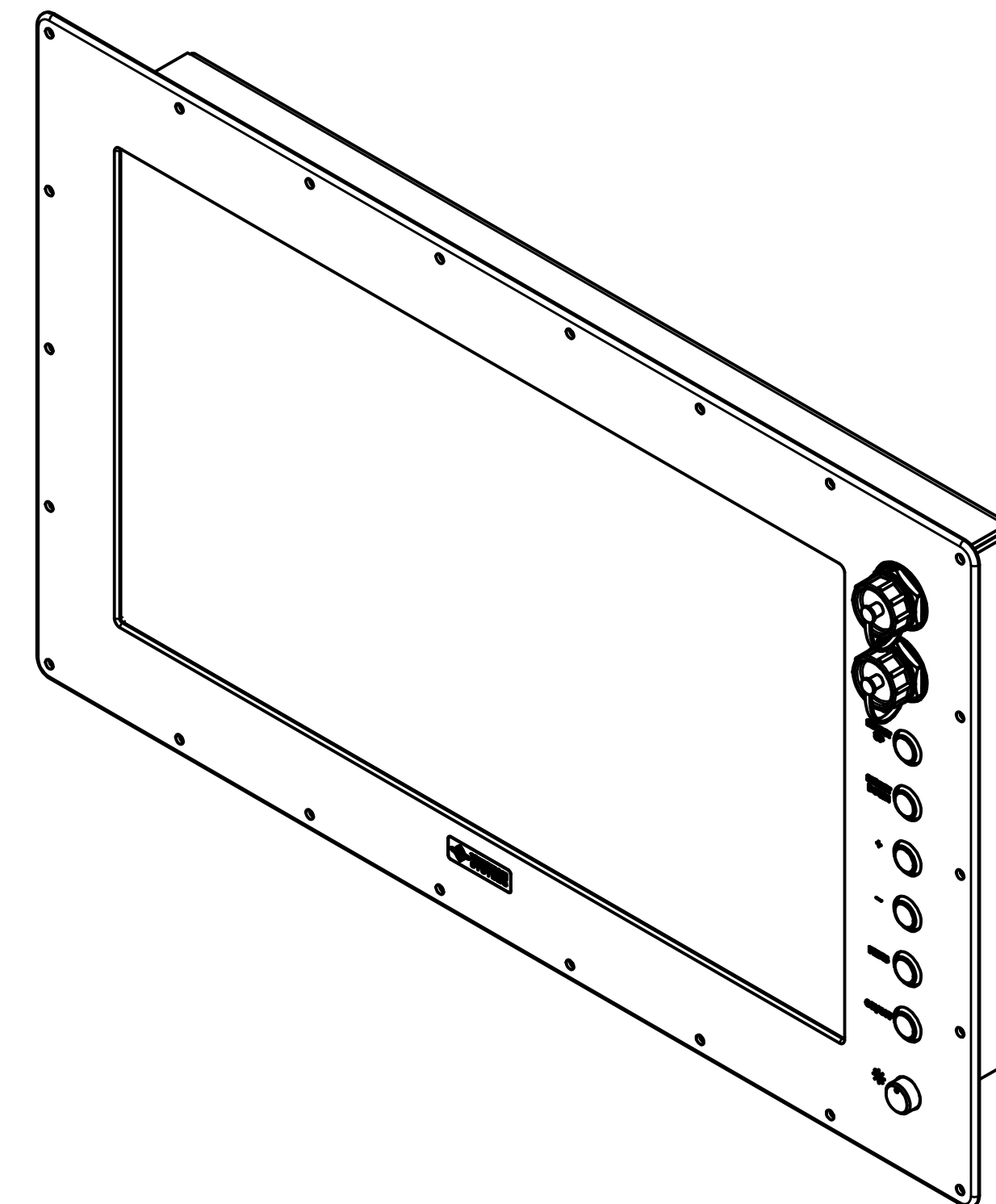
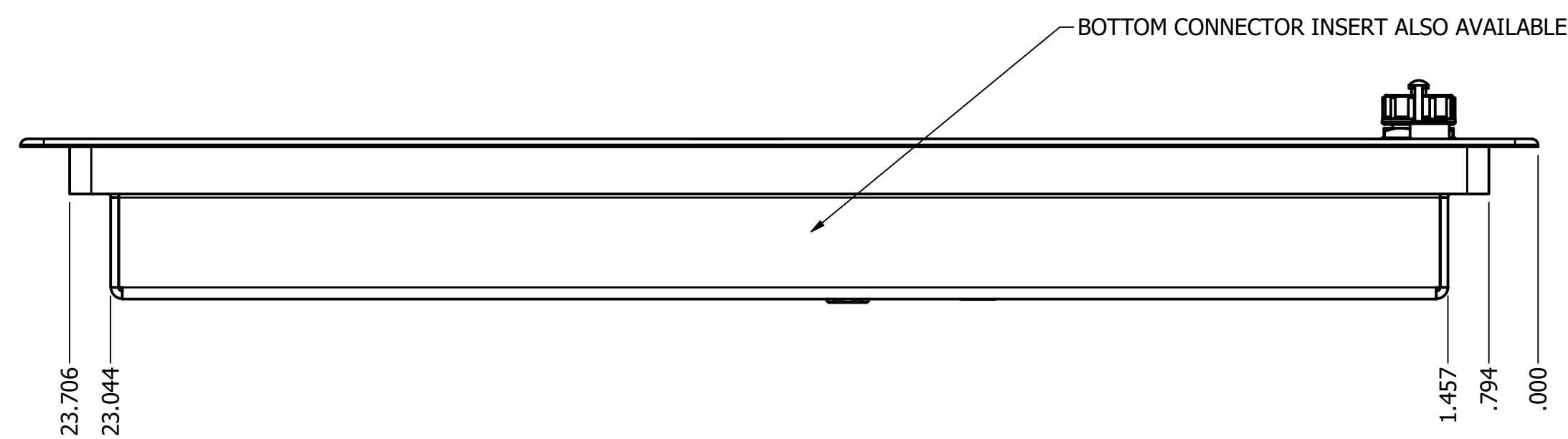
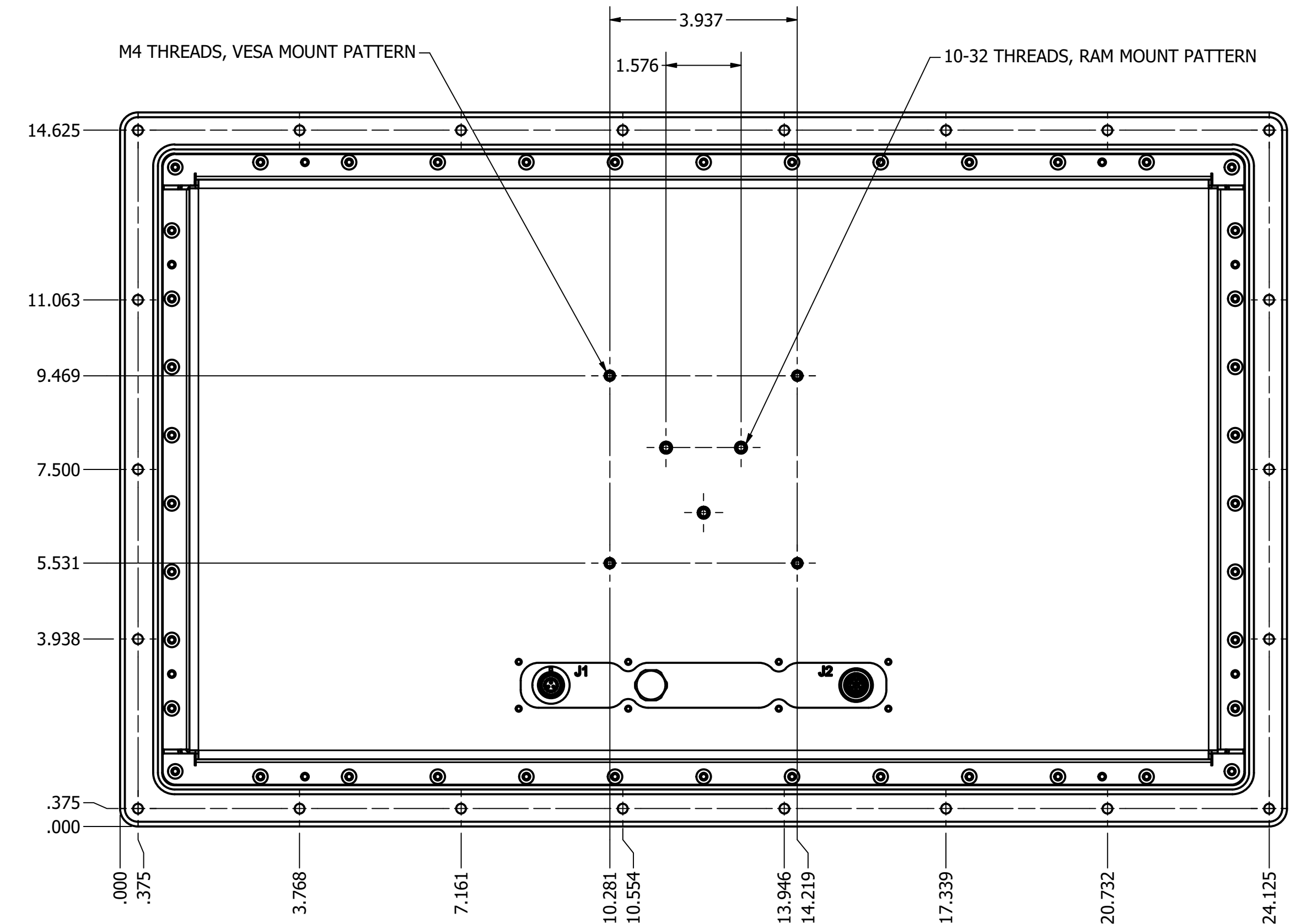
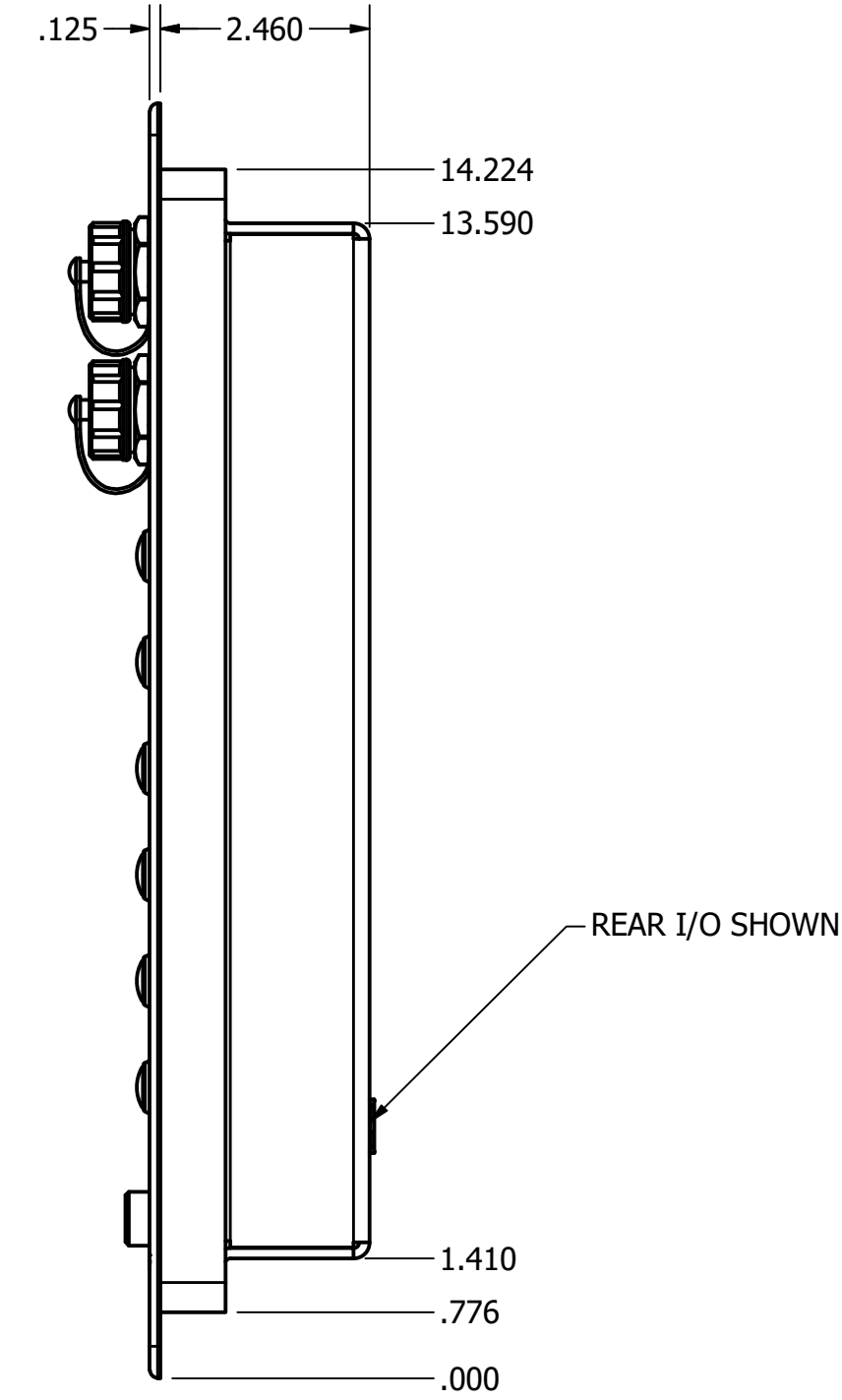
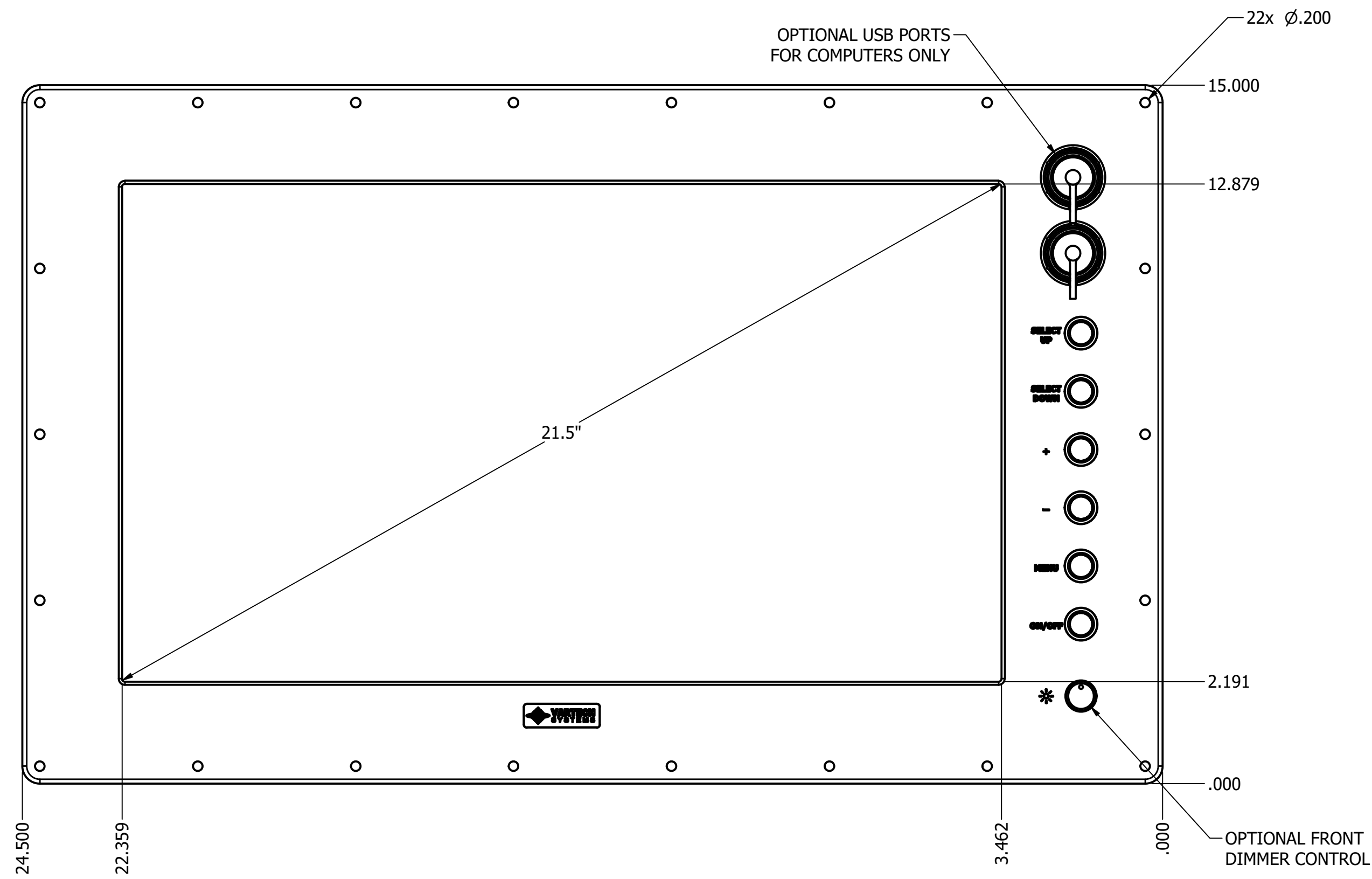


REVISION HISTORY			
REV	DATE	INITIALS	DESCRIPTION
0	12/4/19	MAW	RELEASED



NOTES:
1.

DRAWN BY: mwitham		12/4/2019		 VARTECH SYSTEMS INC.
USE WITH PRODUCT NUMBER				
MATERIAL & FINISH				TITLE
				OUTLINE DRAWING VT(PC)215XB4
SHEET	SIZE	PART NUMBER	REV	
1 of 1	D	482-0749-002-00	00	
TOLERANCES: .XX=-.01 .XXX=-.005				