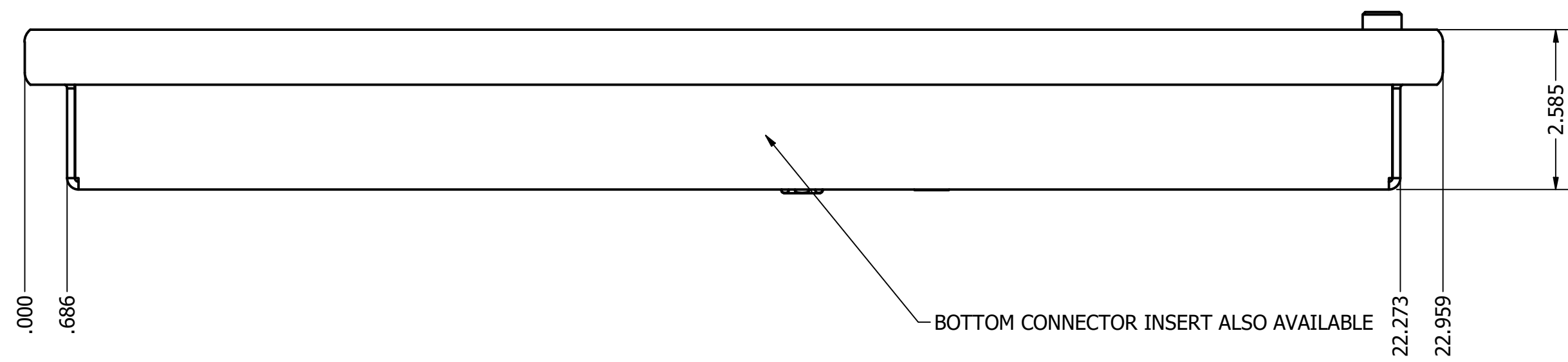
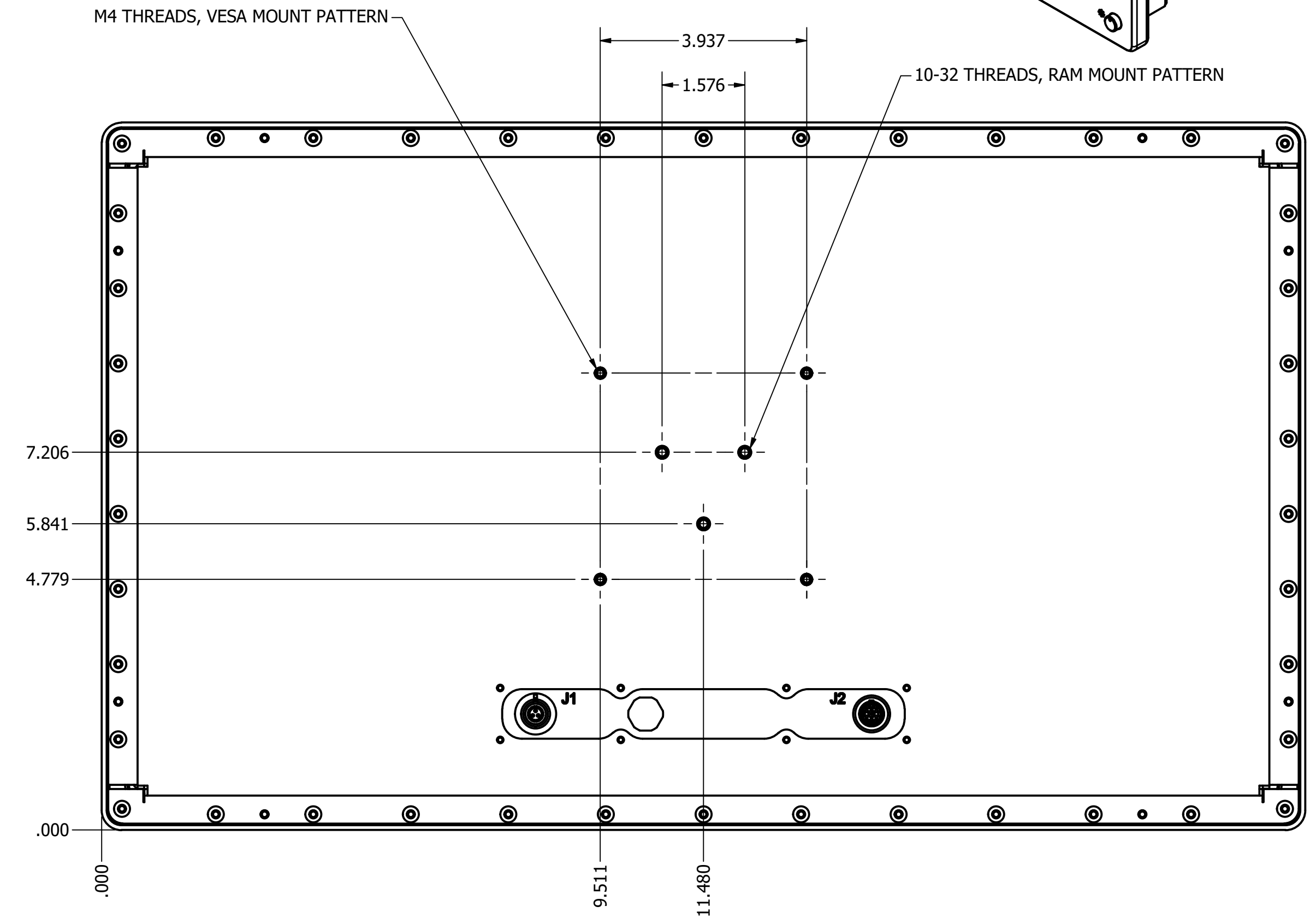
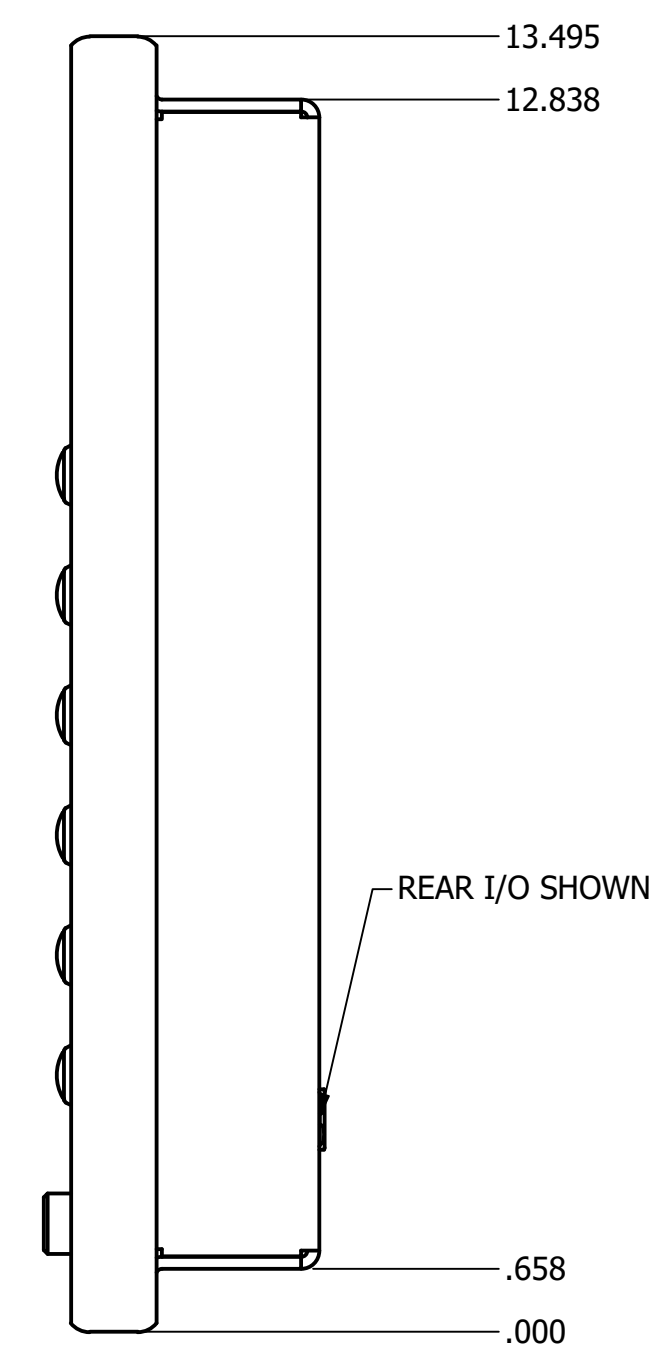
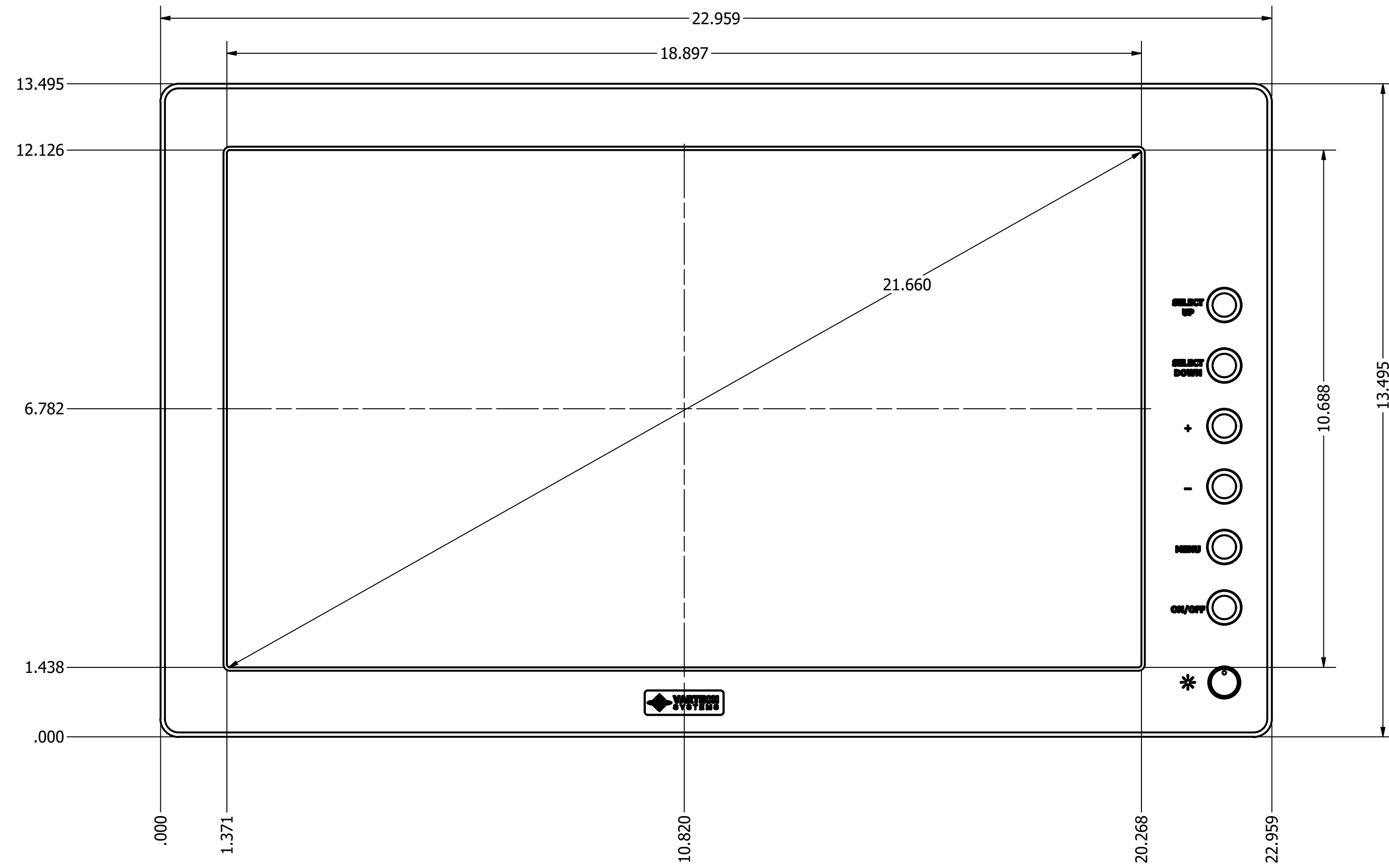
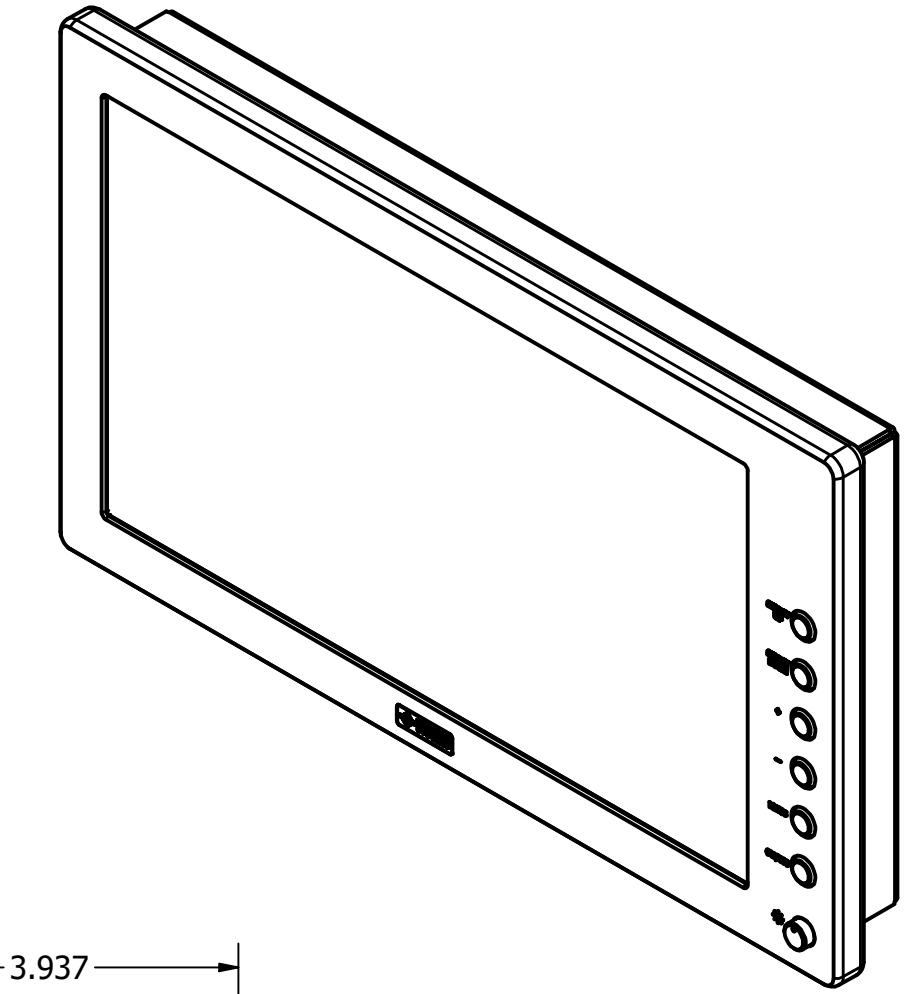


REVISION HISTORY			
REV	DATE	INITIALS	DESCRIPTION
0	8/28/19	TAK	RELEASED



NOTES:
1.

DRAWN BY: TAK		8/28/2019		 VARTECH SYSTEMS INC.	
USE WITH PRODUCT NUMBER					
MATERIAL & FINISH				OUTLINE DRAWING VT215XB4	
TOLERANCES: .XX=.01 .XXX=.005	SHEET 1 of 1	SIZE D	PART NUMBER 482-0749-001	REV 0	