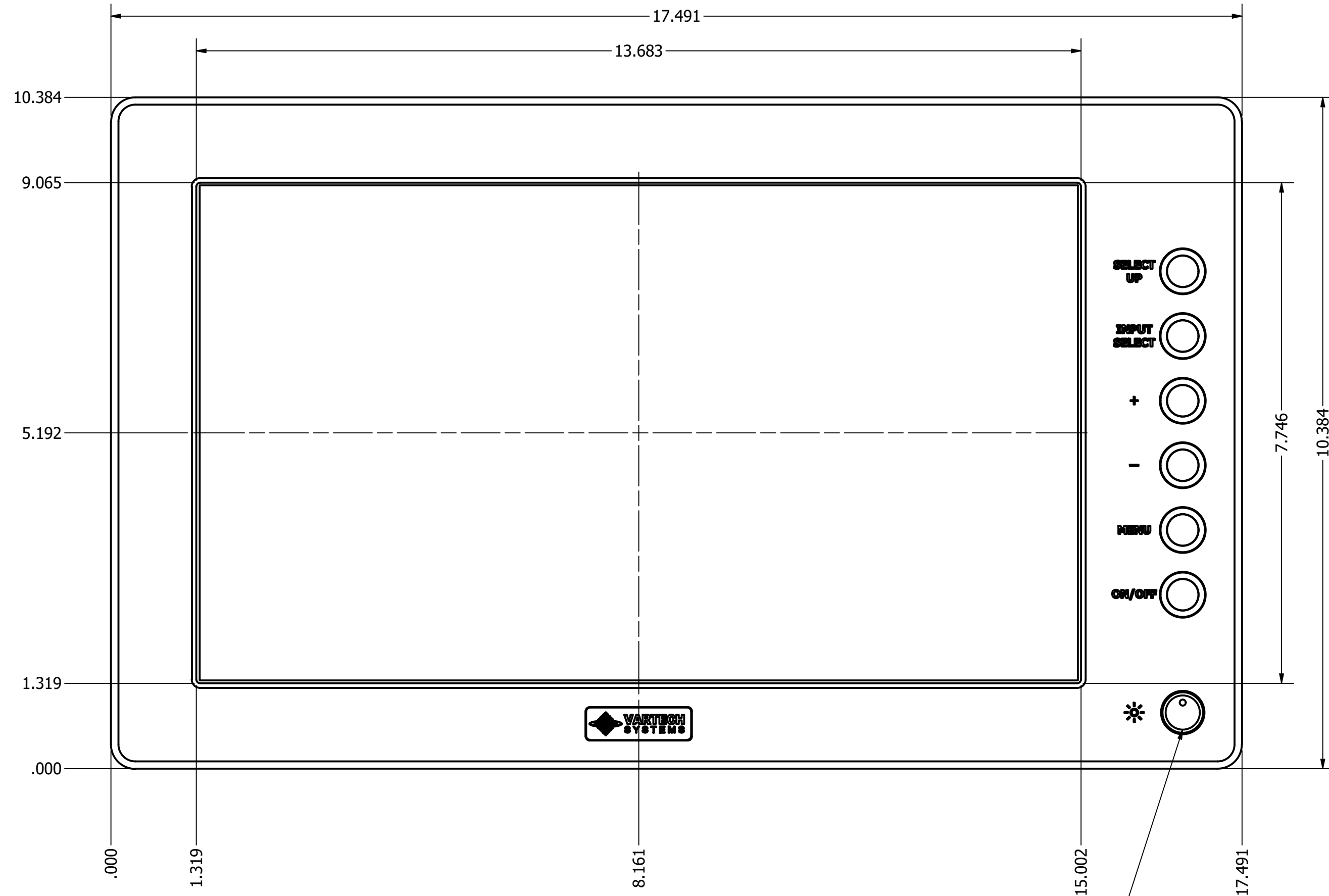
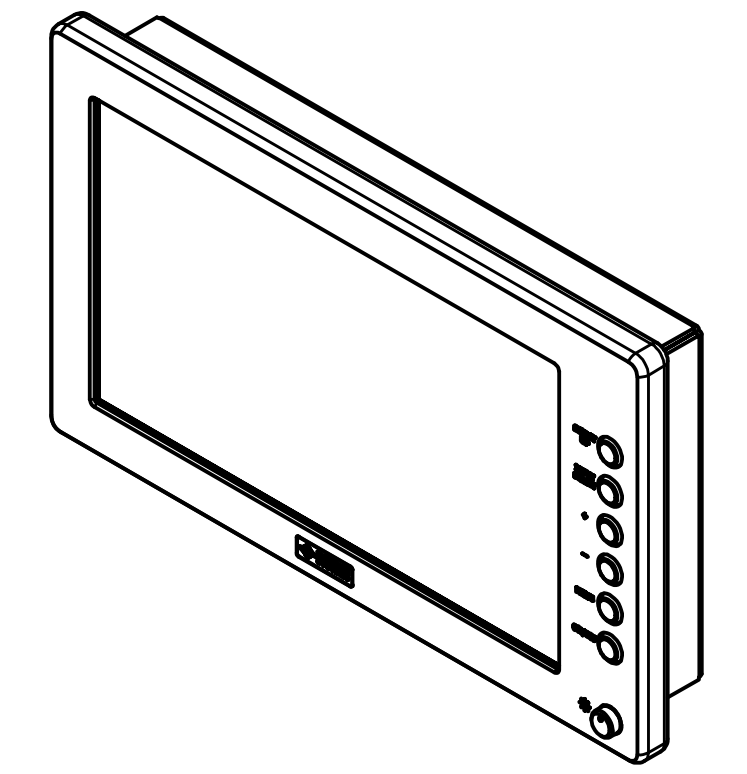
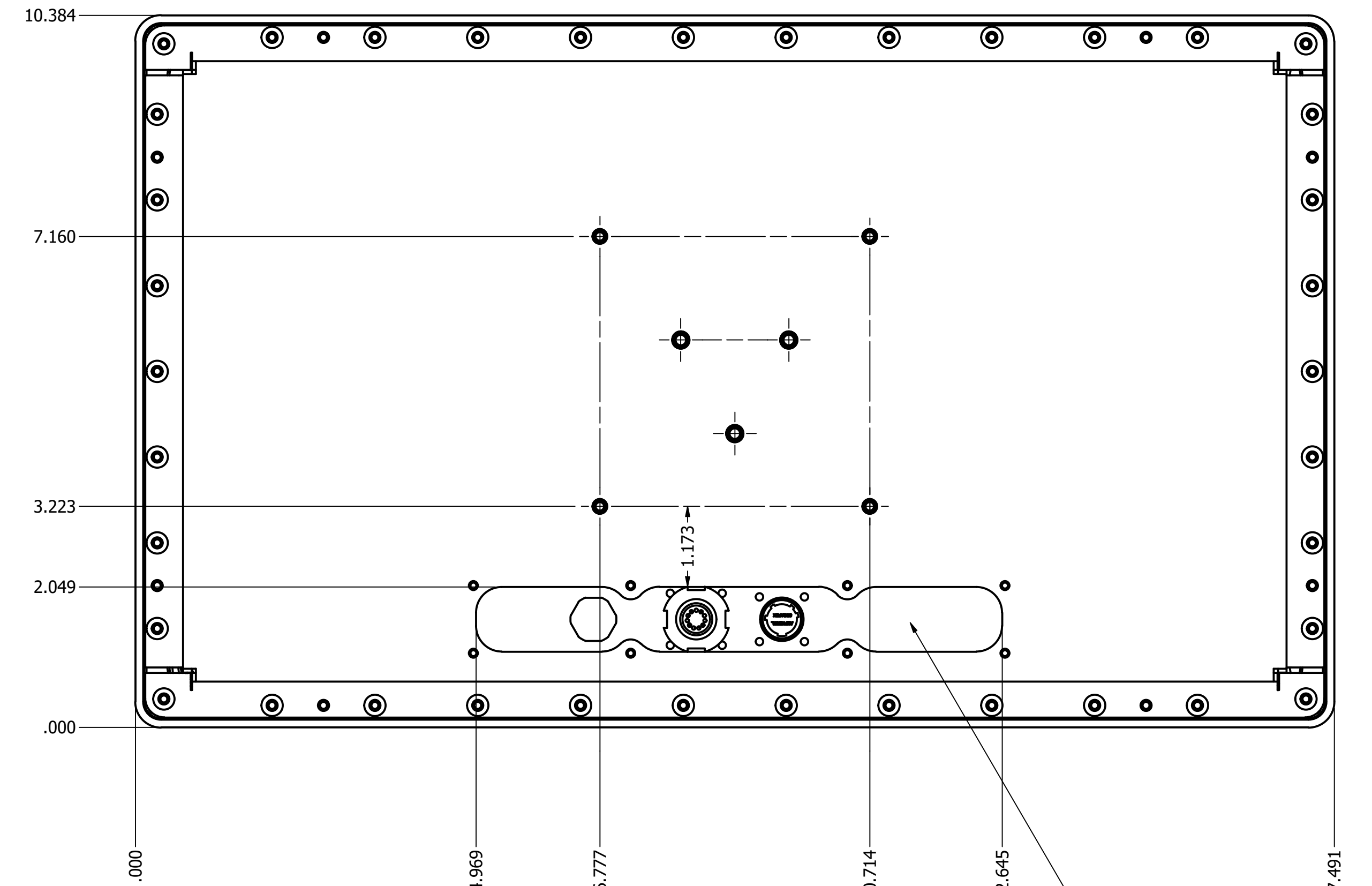
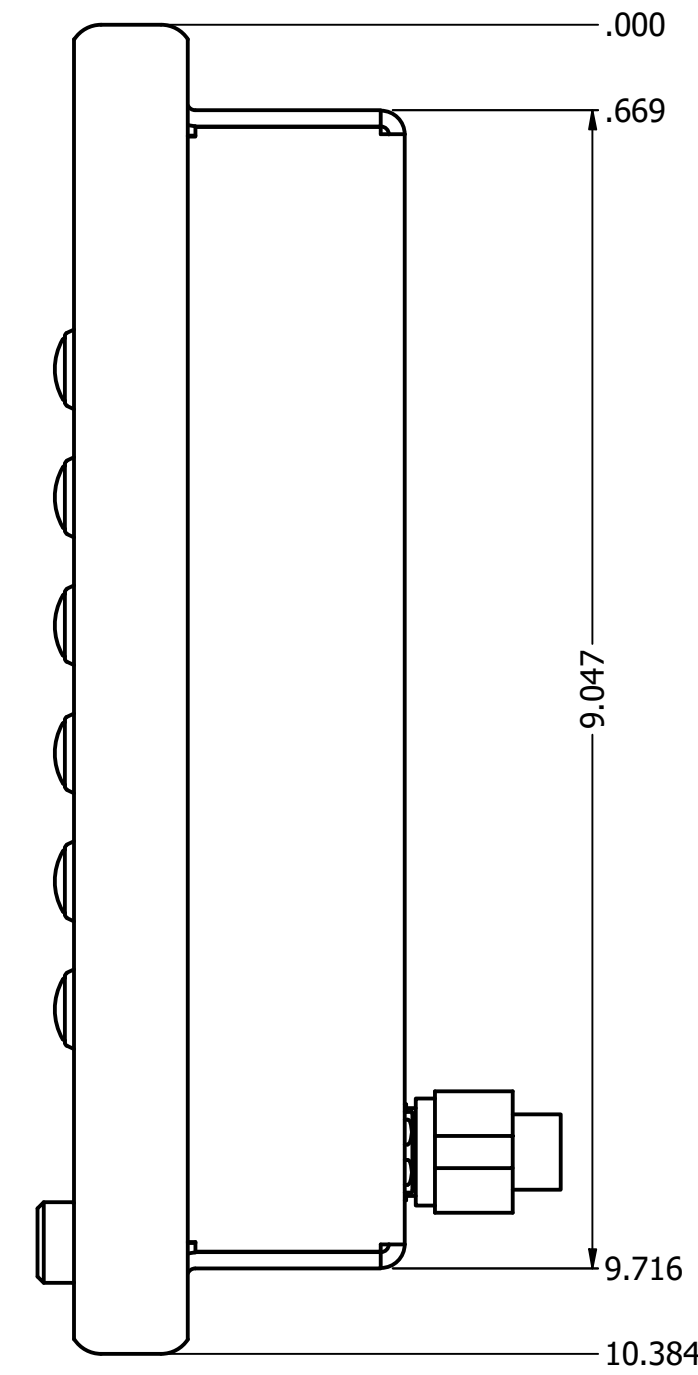


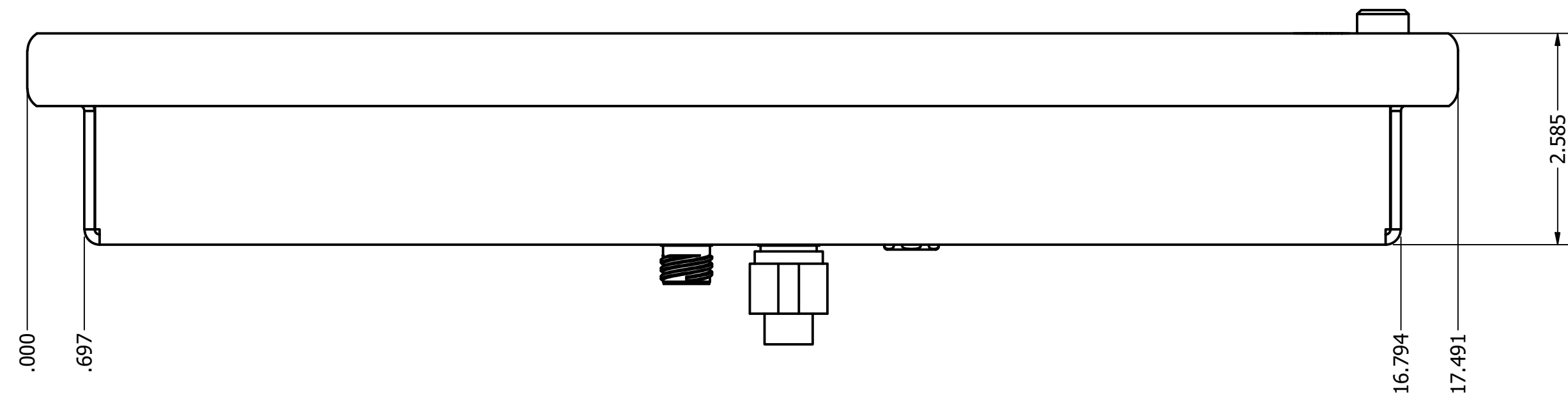
| REVISION HISTORY |         |          |             |
|------------------|---------|----------|-------------|
| REV              | DATE    | INITIALS | DESCRIPTION |
| 0                | 11/8/19 | TAK      | RELEASED    |



FRONT DIMMER CONTROL



I/O PANEL



|                               |      |              |     |  |
|-------------------------------|------|--------------|-----|--|
| DRAWN BY: TAK                 |      | 11/8/2019    |     | <br><b>VARTECH</b><br>SYSTEMS INC.                                     |
| USE WITH PRODUCT NUMBER       |      |              |     |  |
| MATERIAL & FINISH             |      |              |     | TITLE<br><b>DISPLAY. REAR EXIT CONNECTORS</b><br>ALL WEATHER, VT156XD4 |
| SHEET                         | SIZE | PART NUMBER  | REV |  |
| 1 of 1                        | D    | 482-0754-001 | 0   |  |
| TOLERANCES: .XX=.01 .XXX=.005 |      |              |     |  |