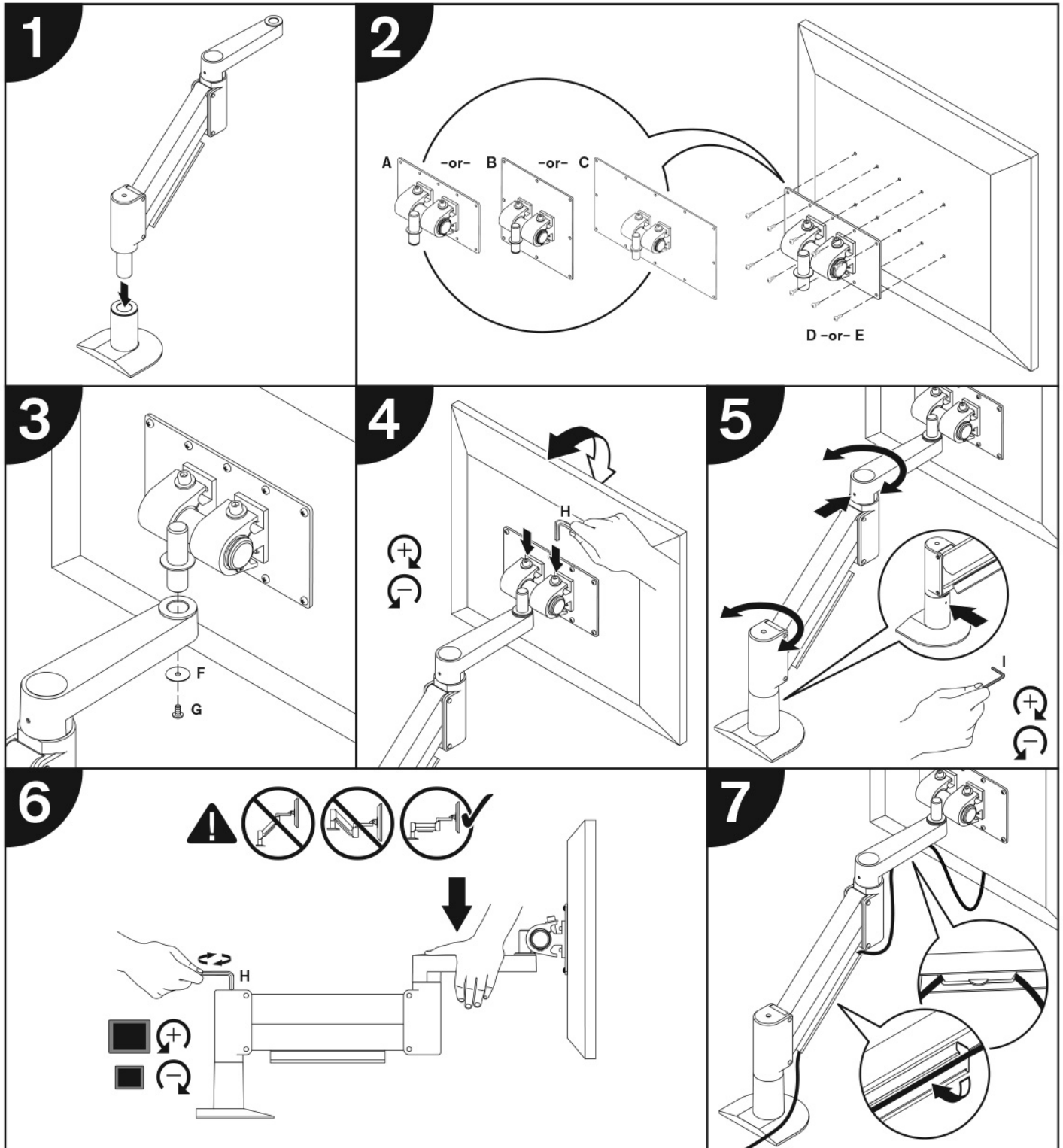
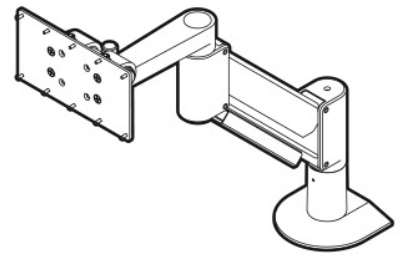



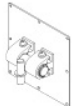
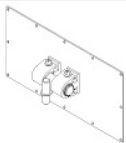


MODEL VT9105XHD





Installation Instructions

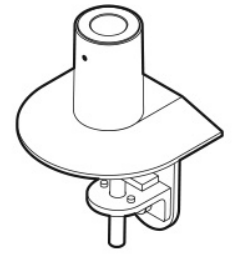


MODEL VT9105XHD

Parts List

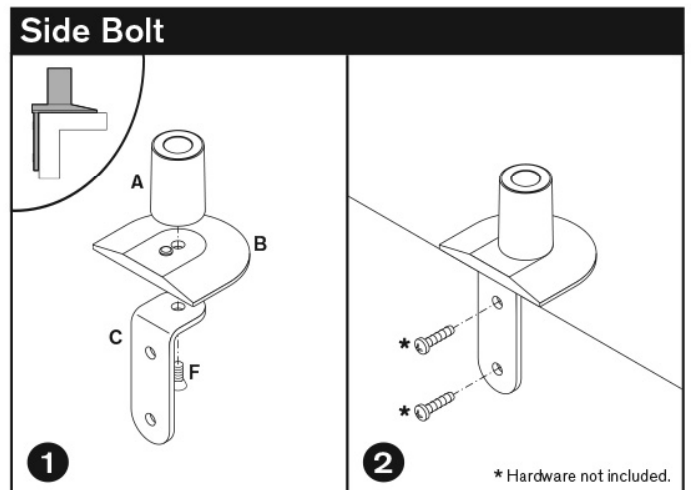
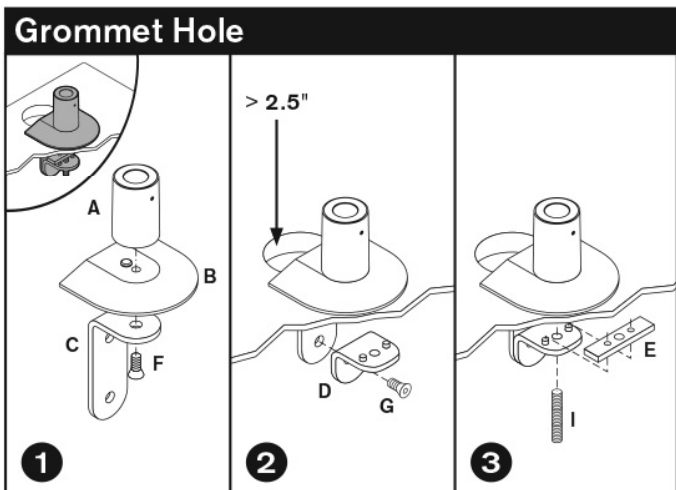
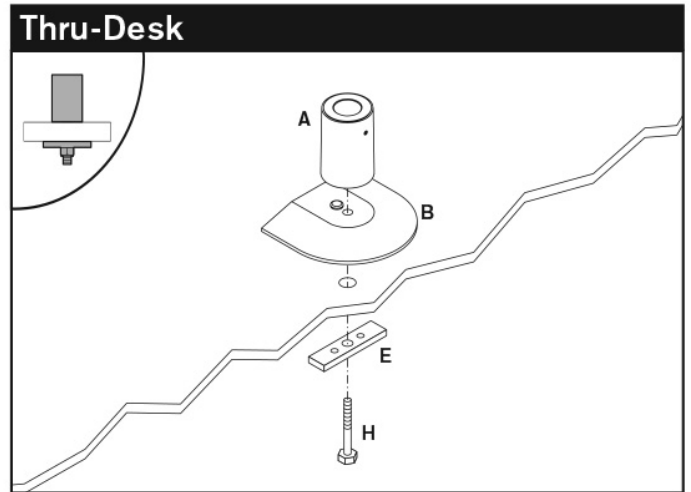
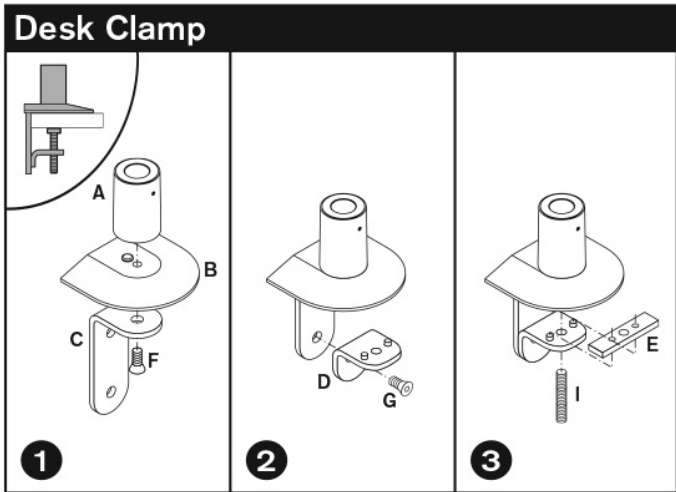
ITEM	DESCRIPTION	QUANTITY
A	Extra Heavy Duty Tilter*	1
		
B	Extra Heavy Duty Tilter*	1
		
C	Extra Heavy Duty Tilter*	1
		
D	M4 x 12mm Phillips Pan Head Screw*	3
		
E	M6-1 x 12mm Phillips Pan Head Screw*	1
		

ITEM	DESCRIPTION	QUANTITY
F	Steel Washer	1
		
G	10-32 x 3/8" PhPHMS	1
		
H	1/4" Allen Wrench	1
		
I	3/32" Allen Wrench	1
		



MOUNT

Installation Instructions



MOUNT

Parts List

ITEM	DESCRIPTION	QUANTITY
A	Steel Mount Cup	1
B	Base Plate	1
C	Large "L" Bracket	1
D	Small "L" Bracket	1
E	Rectangular Spacer	1

ITEM	DESCRIPTION	QUANTITY
F	3/8-16 x 1-1/4" Flat Socket Cap Screw	1
G	3/8-16 x 7/8" Flat Socket Cap Screw	1
H	3/8-16 x 2-1/2" Hex Head Bolt	1
I	1/2-13 x 3" Socket Set Screw	1
J	7/32" Allen Wrench	1