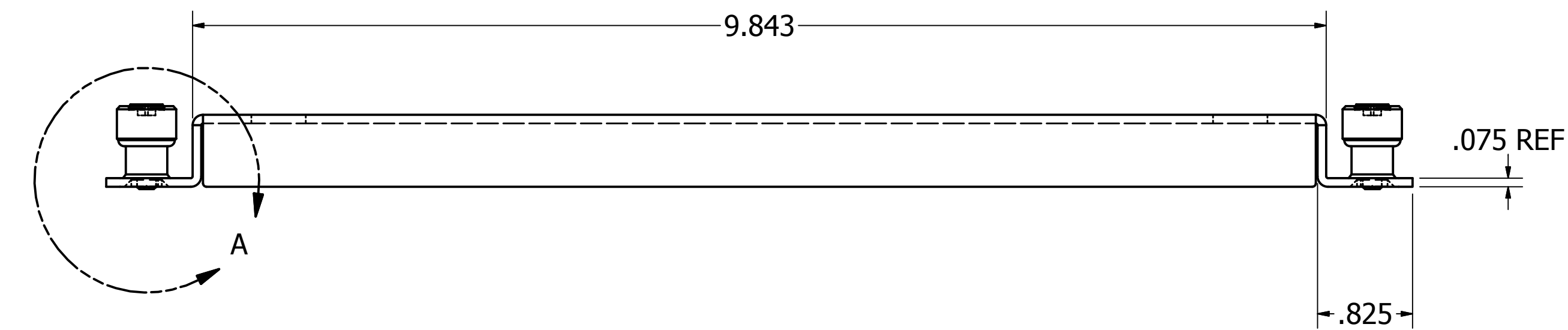
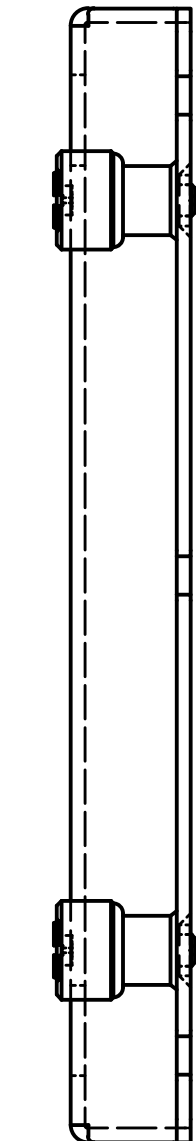
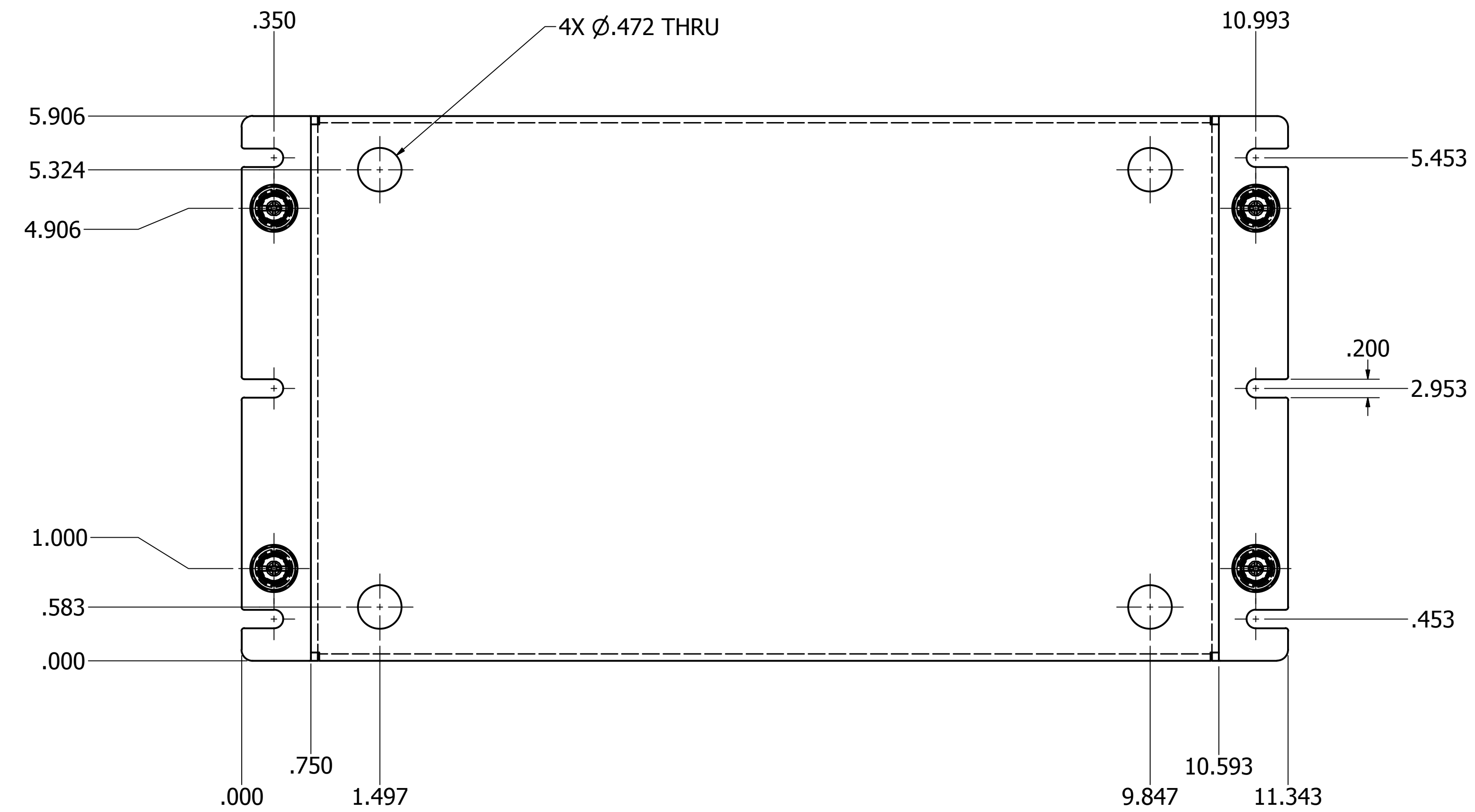
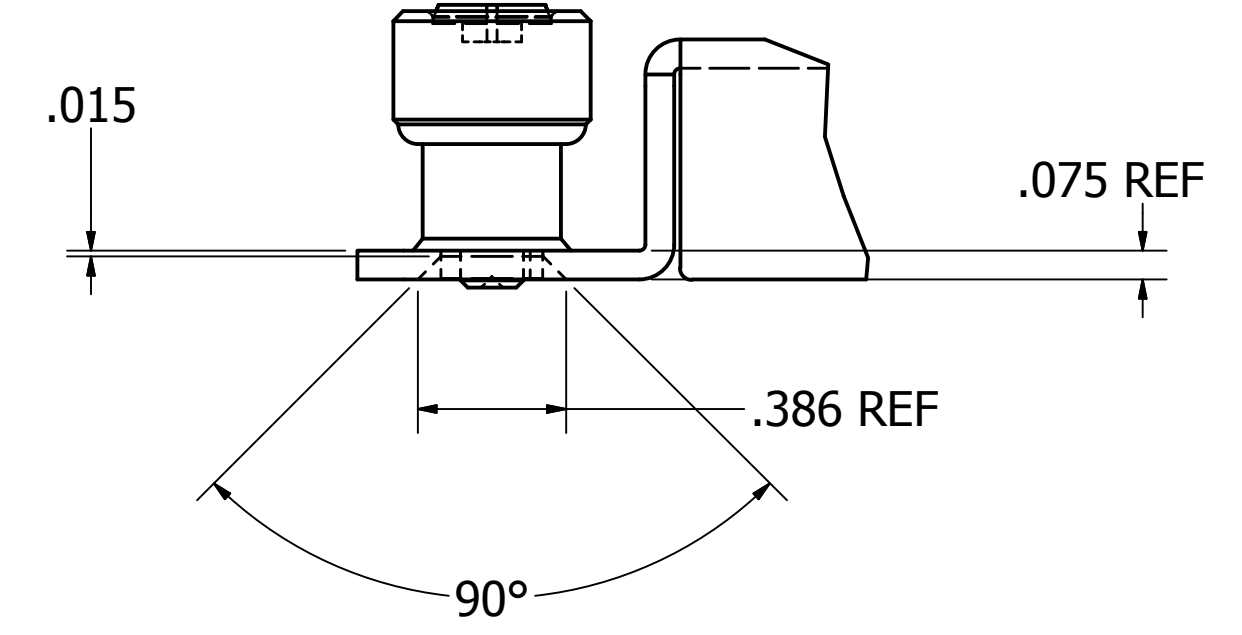


REVISION HISTORY			
REV	DESCRIPTION	APPROVED	DATE
1			1/7/2012



DETAIL A
SCALE 2 : 1



- NOTES:
1. ALL BENDS ARE .016, UNLESS OTHERWISE NOTED
 2. REMOVE ALL BURRS AND SHARP EDGES
 3. INSTALL INSERTS PER MFG SPEC
 4. FINISH: A) PRE-TREAT PER POWDERCOAT SUPPLIER'S RECOMMENDATIONS
B) POWDERCOATING TO BE APPLIED TO ALL EXPOSED SURFACES
BLACK TEXTURE SEMI-GLOSS (FED STD 595 COLOR:) THE APPLIED COATING TO BE 3-4 MILS THICK.
 5. ALL THREADS AND CLEARANCE HOLES TO BE FREE OF APPLIED FINAL COATING
 6. MARK PART NUMBER AND LATEST REVISION AT APPROX LOCATION SHOWN
 7. INSTRUCTIONS FOR SHIPPING: PLACE IN POLYBAG AND INTERLEAF WITH CARDBOARD

ITEM	QTY	PART NUMBER	DESCRIPTION
2	4	PF11MF-832-1	
1	1	411-0624-00	TRAY, ISOLATION MOUNT

PARTS LIST

DRAWN	TFK	1/6/2012	<p>VARTECH SYSTEMS</p> <p>TITLE</p> <p>TRAY, ISOLATION MOUNT</p>			
CHECKED						
QA						
MFG						
SUPER CUBE 2	APPROVED		SIZE	TOLERANCES:	DWG NO	REV
USED ON	MATERIAL:	.074 CRS	D	.XX = .01 .XXX = .005	411-0624-00	1
APPLICATION			FINISH:	SEE NOTE 4		