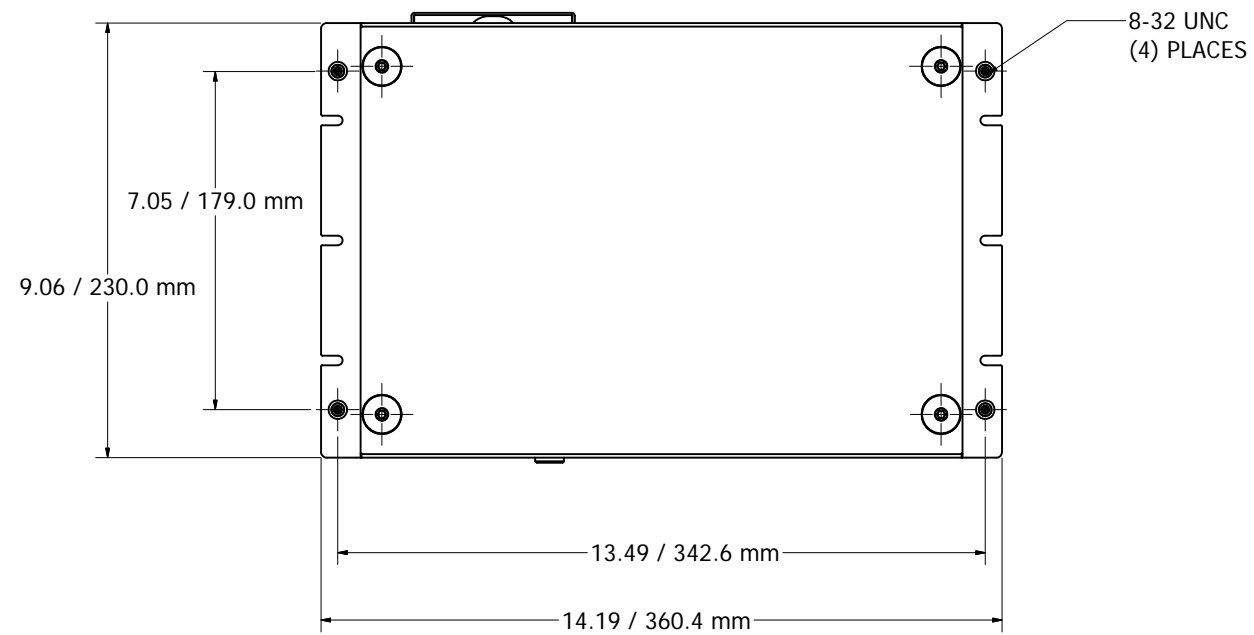
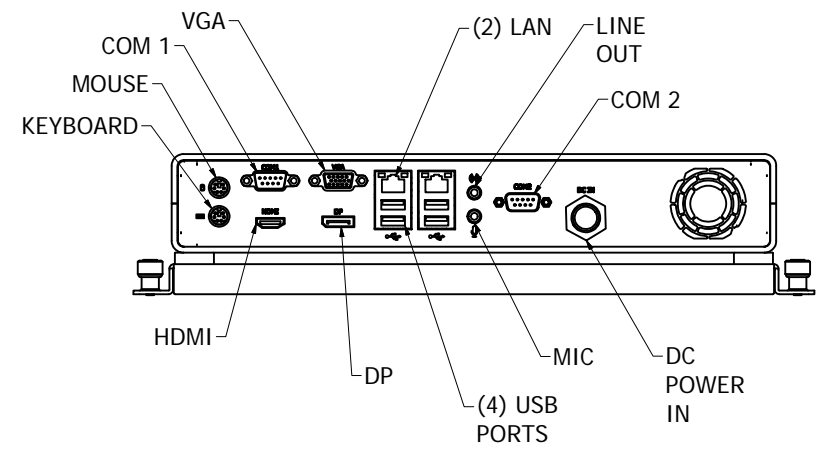
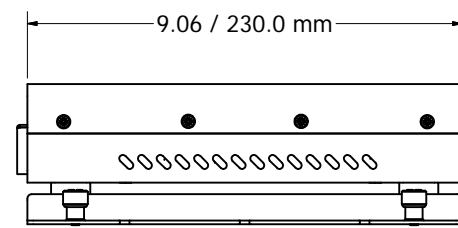
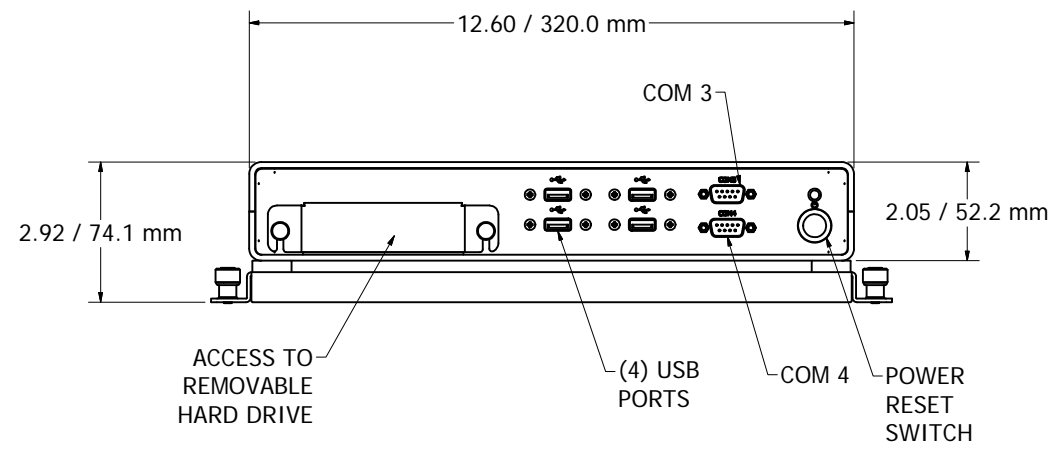
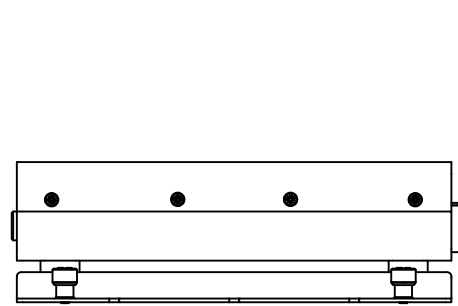
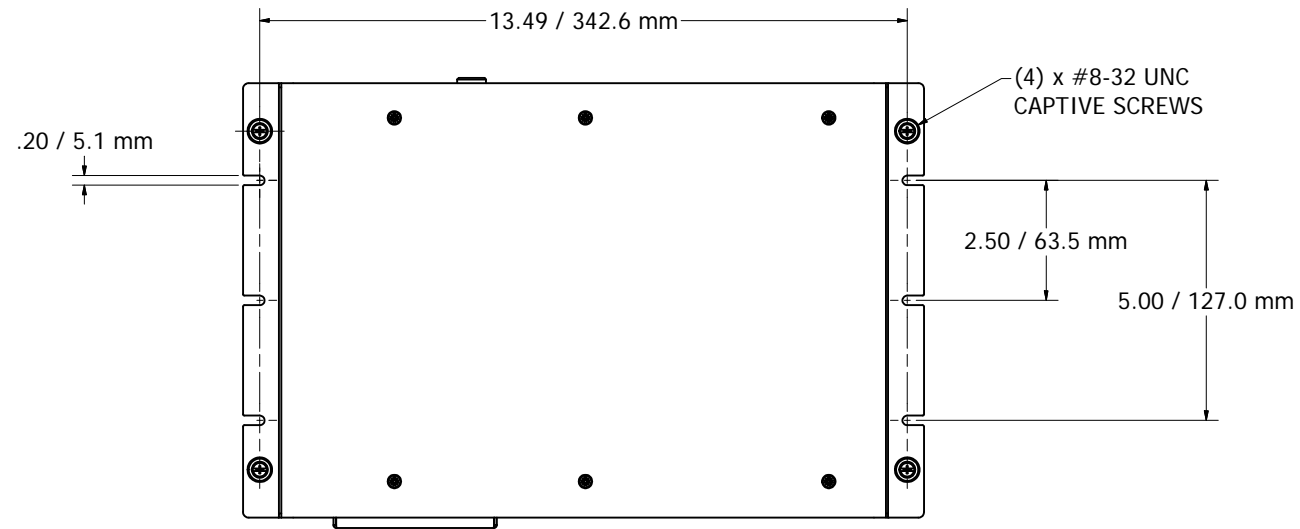


REVISION HISTORY			
REV	DESCRIPTION	APPROVED	DATE
1			3/1/2012
2	ADD LABELS	MLC	5/23/2012



DRAWN	TFK	3/1/2012	 VARTECH SYSTEMS	
CHECKED				
QA				
MFG				
APPROVED			TITLE VTPC-RHD POWER CUBE W/ REMOVABLE HARD DRIVE	
USED ON	MATERIAL:		SIZE D	TOLERANCES: .XX = .01 .XXX = .005
APPLICATION			DWG NO 482-0163-00	REV 2
			SHEET 1 OF 1	