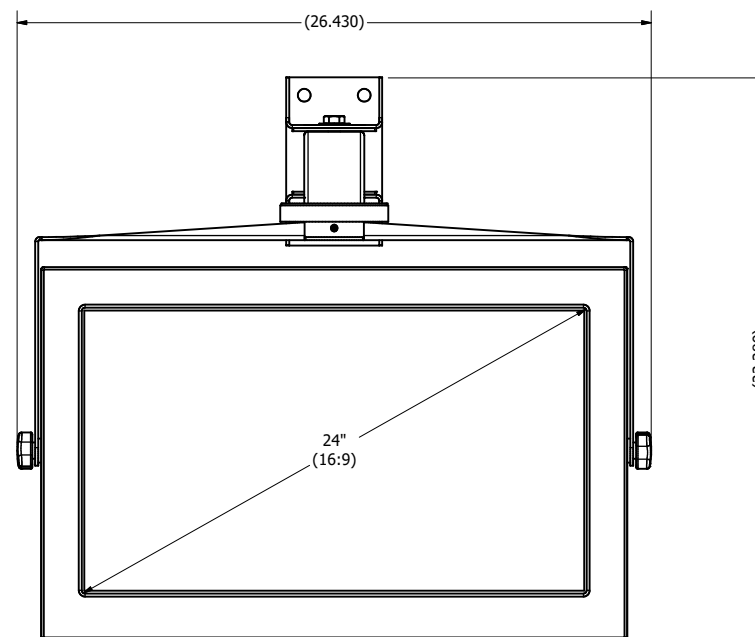
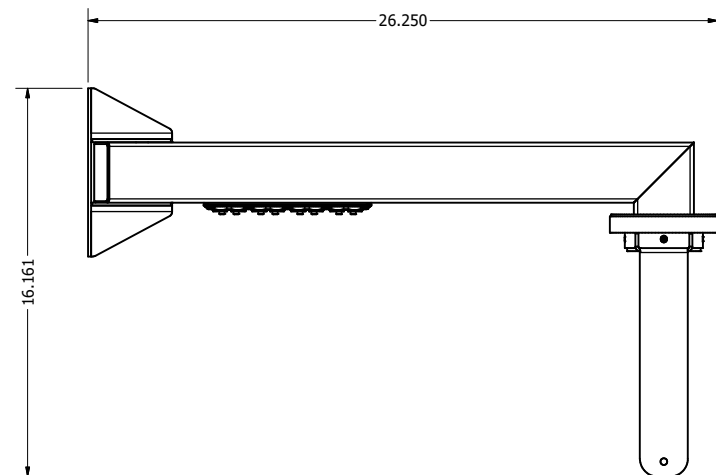
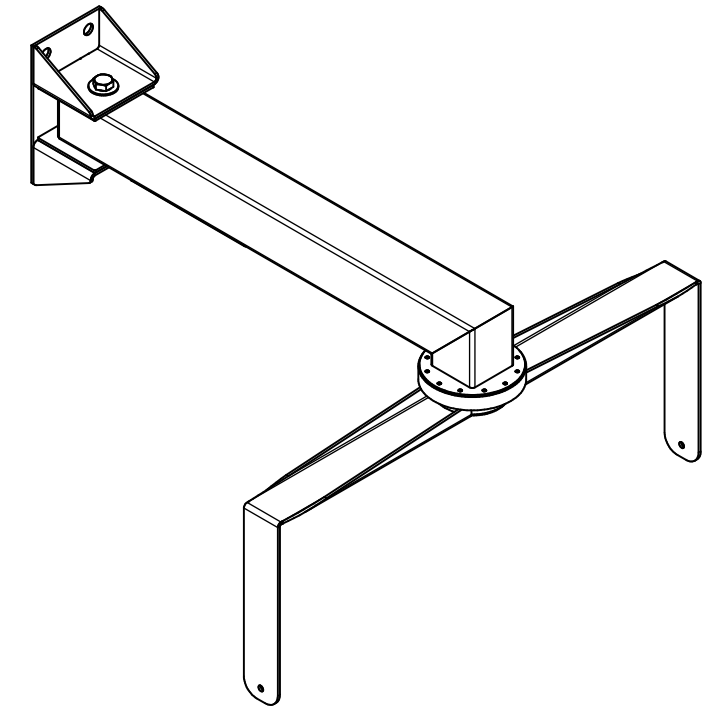
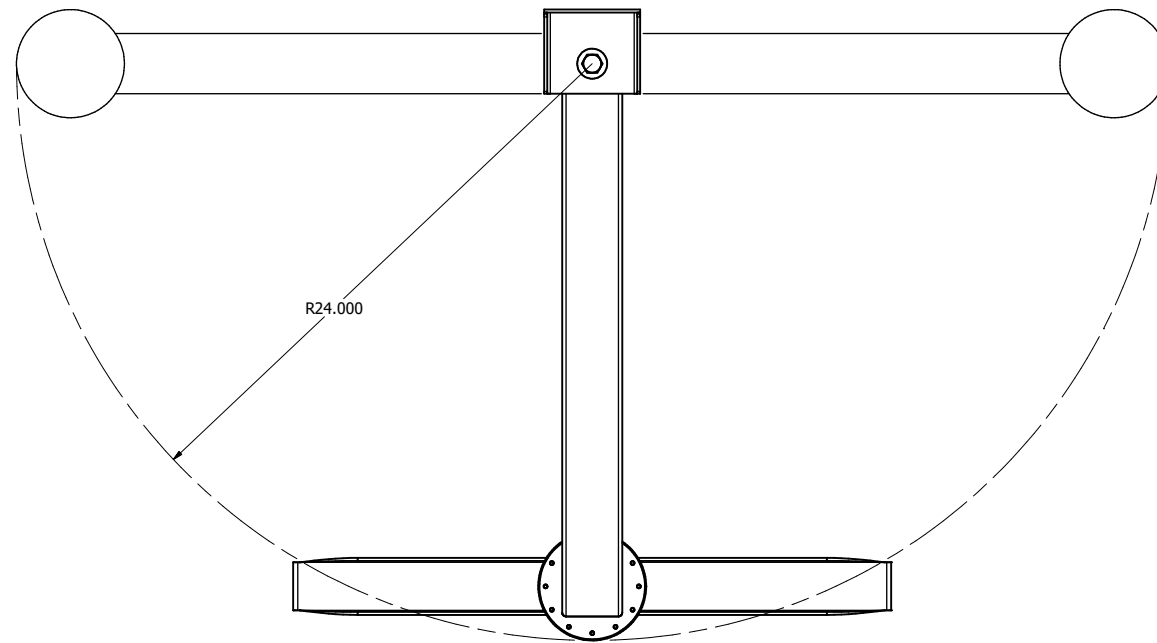
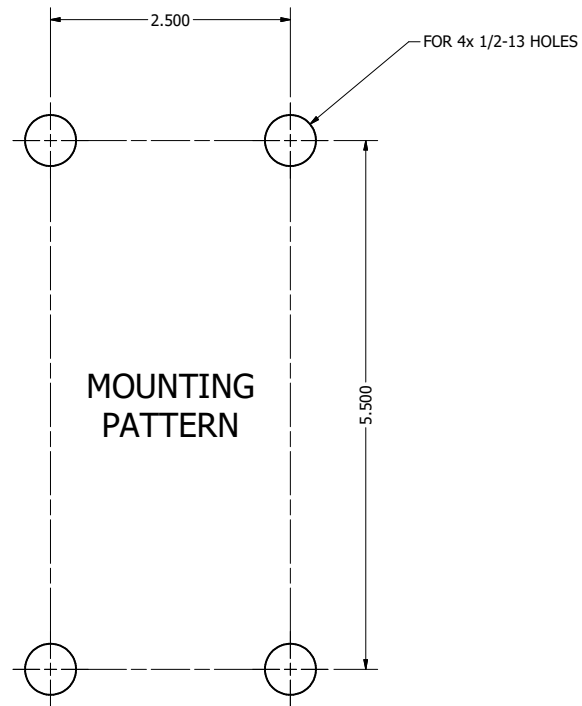


CUI//BASIC//DISSEM

Intellectual Property of VarTech Systems, Shred after Use, Use in Accordance with the Acceptable Use Policy (AUP) and Employee Security Guidelines (ESG).

REVISION HISTORY

REV	DATE	INITIALS	DESCRIPTION
00	3/28/22	maw	INITIAL RELEASE



NOTES:

1. REMOVE ALL BURRS AND SHARP EDGES
2. INSTALL INSERTS PER MFG SPEC
3. ALL THREADS AND CLEARANCE HOLES TO BE FREE OF APPLIED FINAL COATING
4. MARK PART NUMBER AND LATEST REVISION AT APPROX LOCATION SHOWN
5. INSTRUCTIONS FOR SHIPPING: PLACE IN POLYBAG AND INTERLEAF WITH CARDBOARD

DRAWN BY: mwitham		3/28/2022			
USE WITH PRODUCT NUMBER					
MATERIAL, BEND RADIUS & FINISH				TITLE	
				PIVOT SWING ARM	
TOLERANCES: .XX=-.01 .XXX=-.005		SHEET	SIZE	PART NUMBER	REV
		1 of 1	D	VTPSA24G24	