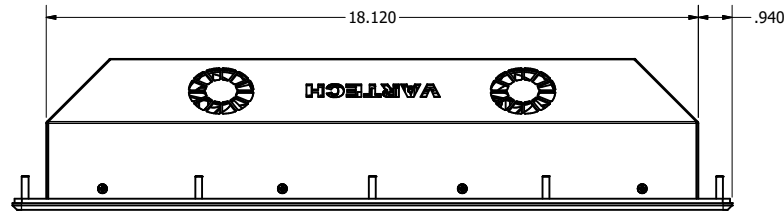


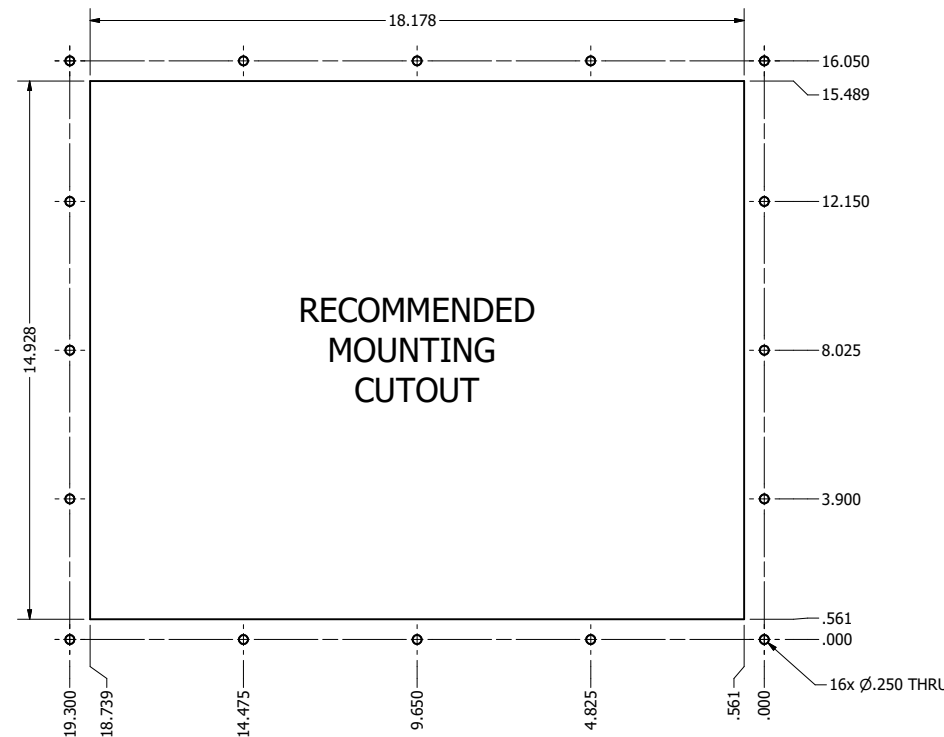
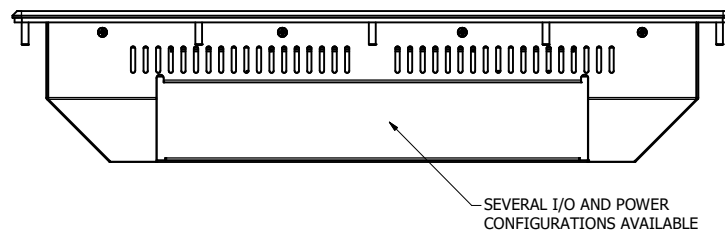
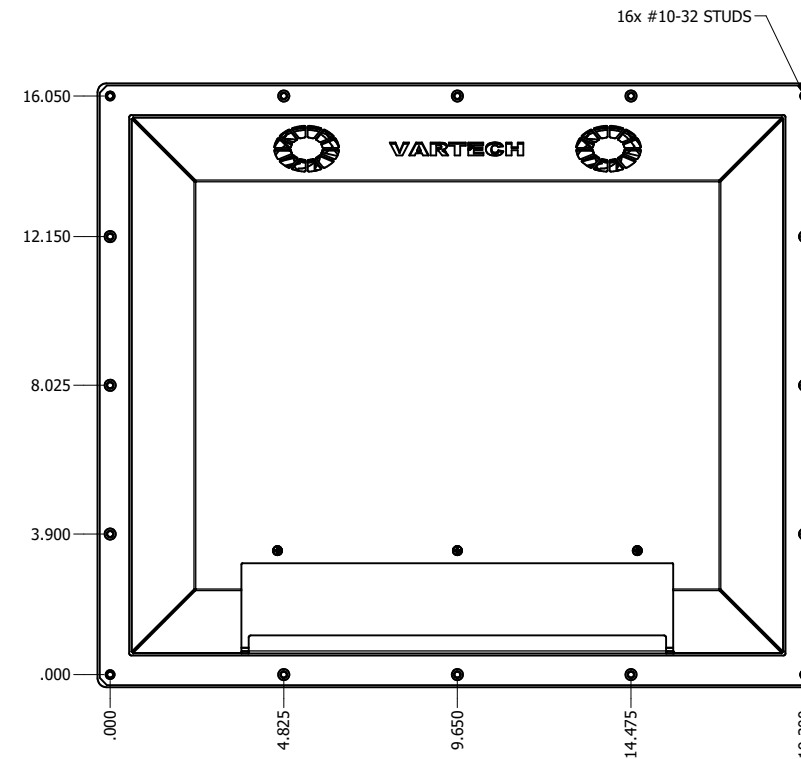
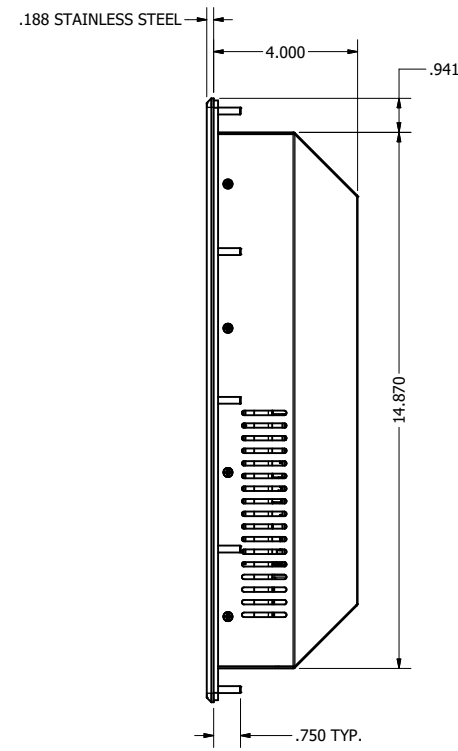
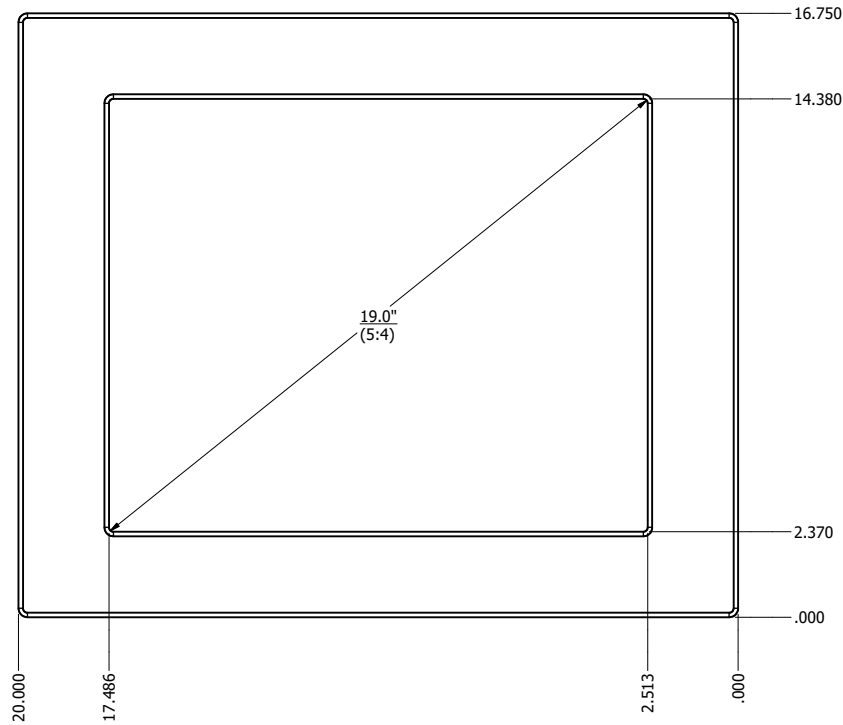
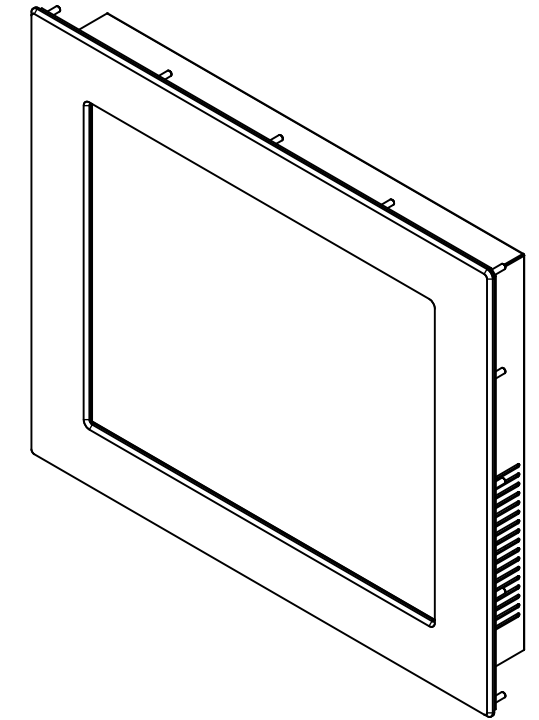
19.0" PANEL MOUNT (Monitor or Computer)

PRELIMINARY DRAWING
DIMENSIONS ARE SUBJECT TO CHANGE

REVISION HISTORY				
REV	DATE	INITIALS	DESCRIPTION	
0	4/21/2008	NM	INITIAL RELEASE	
1	4/6/2021	TAK	UPDATED TO MATCH VARTECH STANDARD DRAWING	



**UNIT IS CERTIFIED FOR
CLASS 1 DIVISION 2 / CLASS 2 DIVISION 2
IN A HAZARDOUS ENVIRONMENT**
Based on MET Labs File: E212370 / Report: 27781
Approval Date February 22, 2010



DRAWN BY: tklar		1/3/2018		
USE WITH PRODUCT NUMBER				
MATERIAL & FINISH				TITLE
				OUTLINE DRAWING C1D2 / C2D2 DIAMONDVUE
SHEET	SIZE	PART NUMBER	REV	
1 of 1	D	VTPC900PS	1	
TOLERANCES: .XX=.01 .XXX=.005				