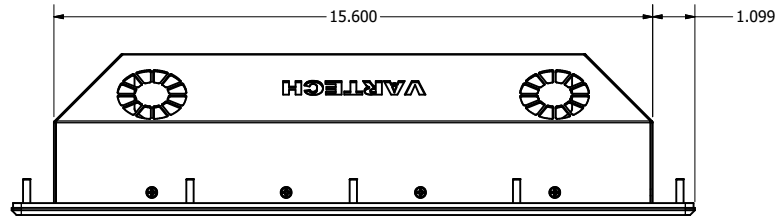


17.0" PANEL MOUNT (Monitor or Computer)

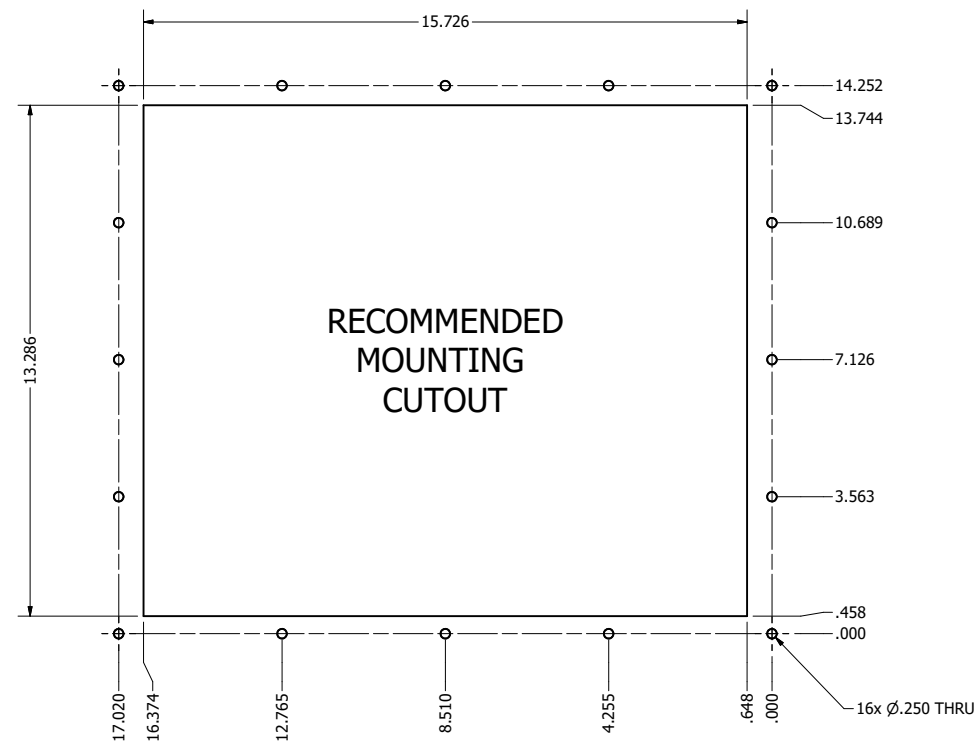
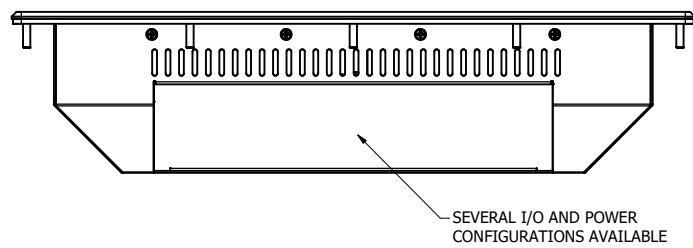
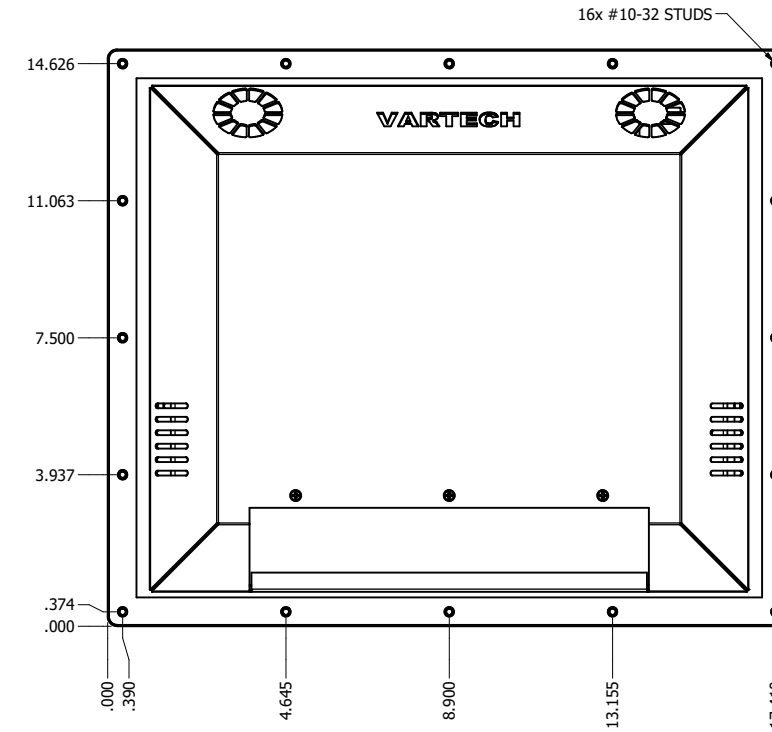
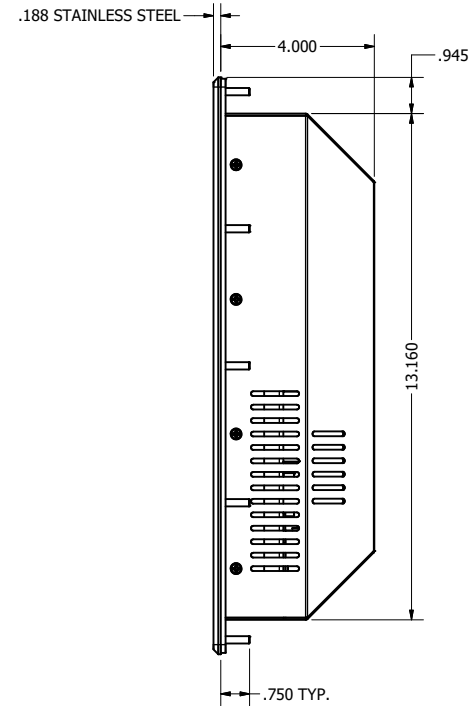
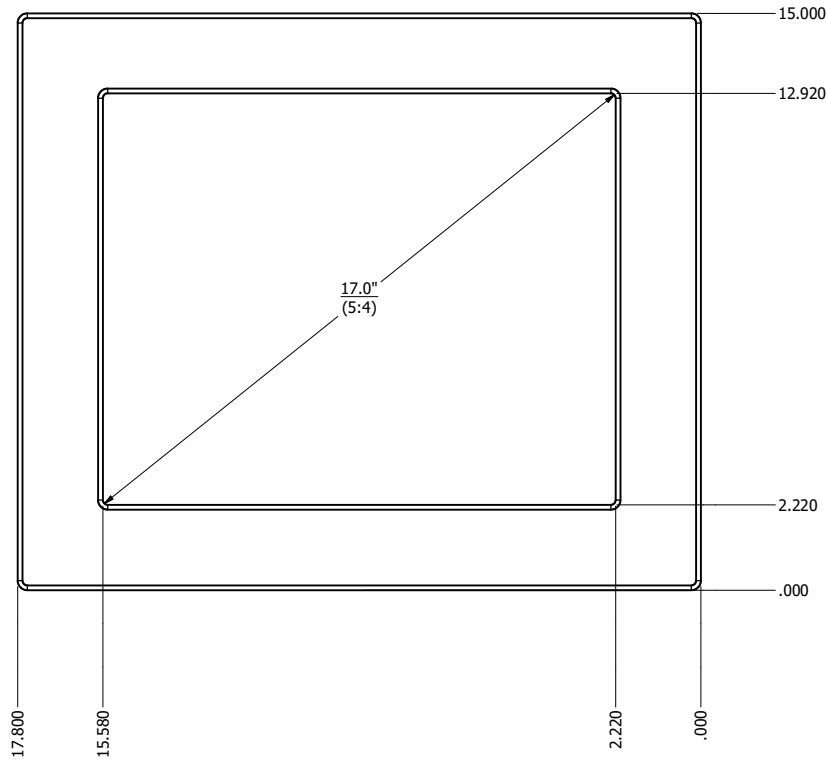
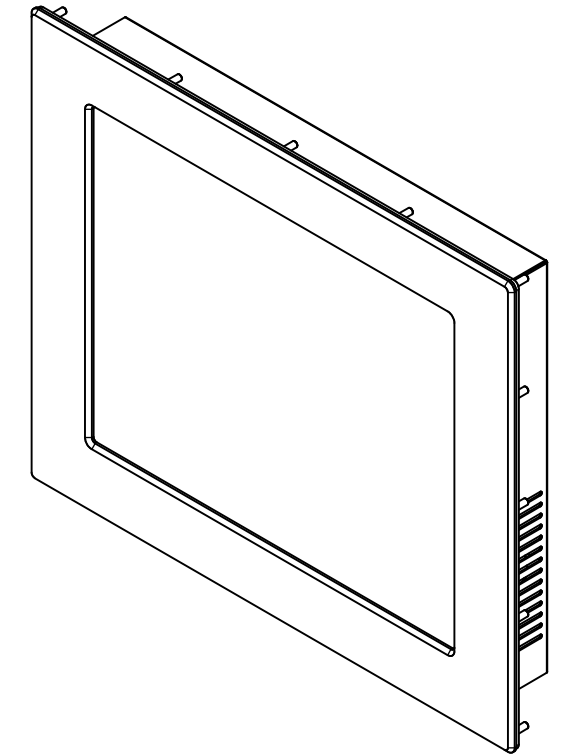
PRELIMINARY DRAWING  
DIMENSIONS ARE SUBJECT TO CHANGE

REVISION HISTORY				
REV	DATE	INITIALS	DESCRIPTION	
0	10/12/2009	SAH	INITIAL RELEASE	
1	4/6/2021	maw	UPDATED TO MATCH VARTECH STANDARD DRAWING	



**UNIT IS CERTIFIED FOR  
CLASS 1 DIVISION 2 / CLASS 2 DIVISION 2  
IN A HAZARDOUS ENVIRONMENT**

Based on MET Labs File: E212370 / Report: 27781  
Approval Date February 22, 2010



DRAWN BY: mwitham		4/5/2021		
USE WITH PRODUCT NUMBER				
MATERIAL & FINISH				TITLE
				<b>OUTLINE DRAWING</b> C1D2 / C2D2 DIAMONDVUE
SHEET	SIZE	PART NUMBER	REV	
1 of 1	D	VTPC700PS	1	
TOLERANCES: .XX=.01 .XXX=.005				