

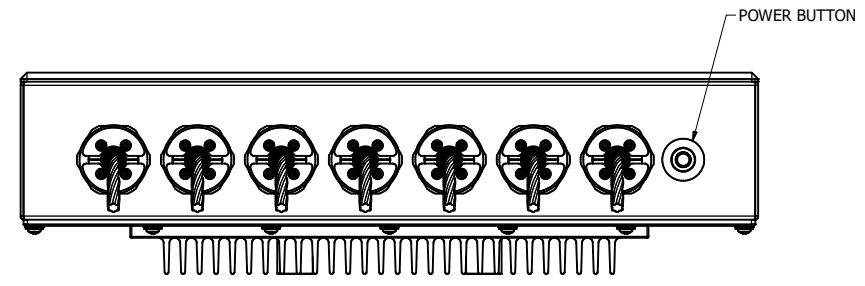
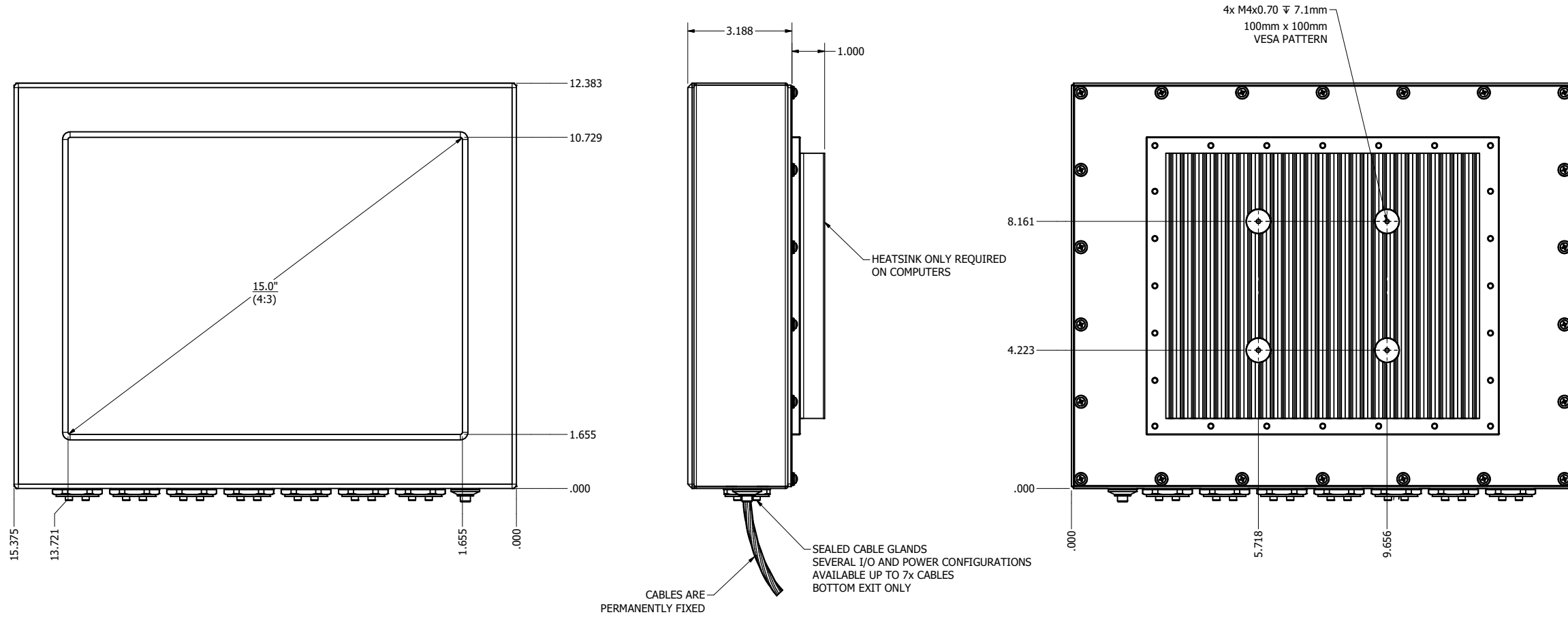
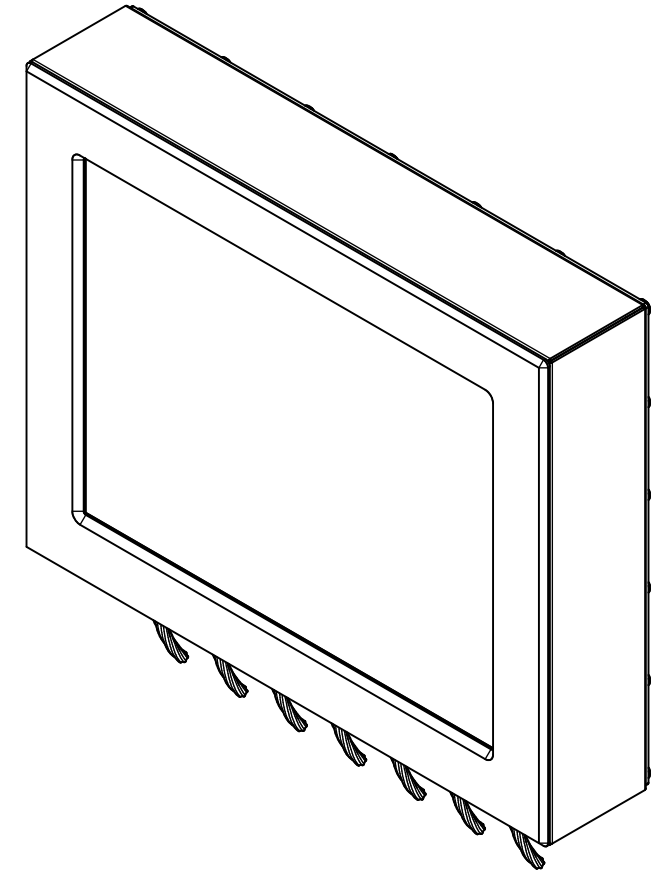
15.0" VESA MOUNT (Monitor or Computer)

PRELIMINARY DRAWING
DIMENSIONS ARE SUBJECT TO CHANGE

REVISION HISTORY			
REV	DATE	INITIALS	DESCRIPTION
0	9/28/2009	SAH	INITIAL RELEASE
1	4/6/2021	COG	UPDATED TO MATCH VARTECH STANDARD DRAWING

**UNIT IS CERTIFIED FOR
CLASS 1 DIVISION 2 / CLASS 2 DIVISION 2
IN A HAZARDOUS ENVIRONMENT**

Based on MET Labs File: E212370 / Report: 27439
Approval Date February 22, 2010



DRAWN BY: cgray		4/5/2021		 VARTECH SYSTEMS INC.
USE WITH PRODUCT NUMBER				
MATERIAL & FINISH				TITLE
				OUTLINE DERAWING C1D2 / C2D2 TOUGH STATION
SHEET	SIZE	PART NUMBER	REV	
1 of 1	D	VTPC500VS	1	
TOLERANCES: .XX=-.01 .XXX=-.005				