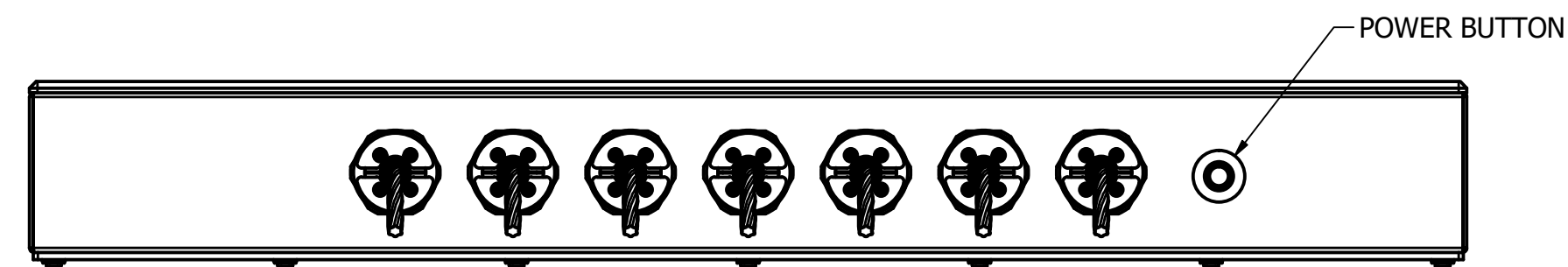
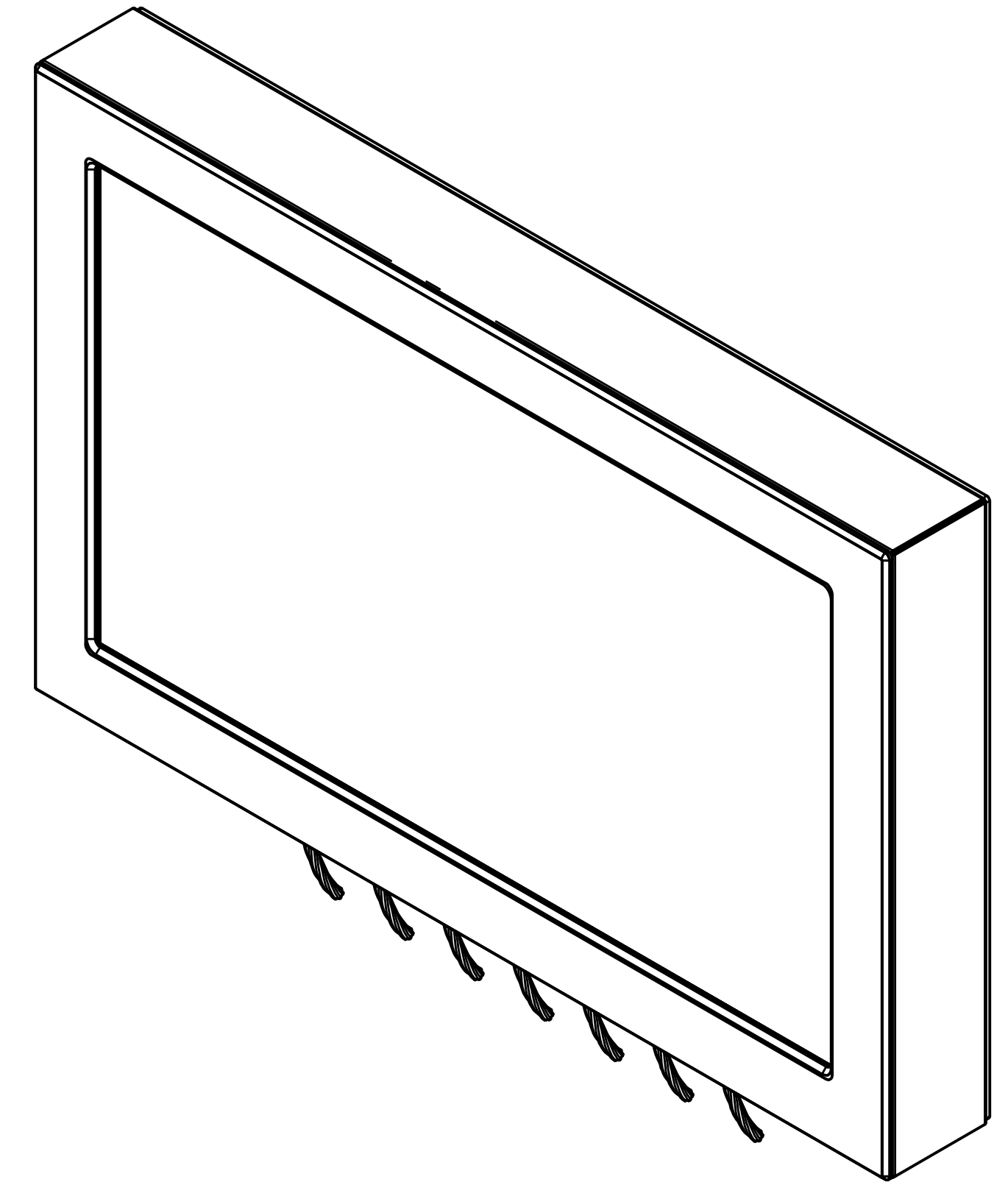
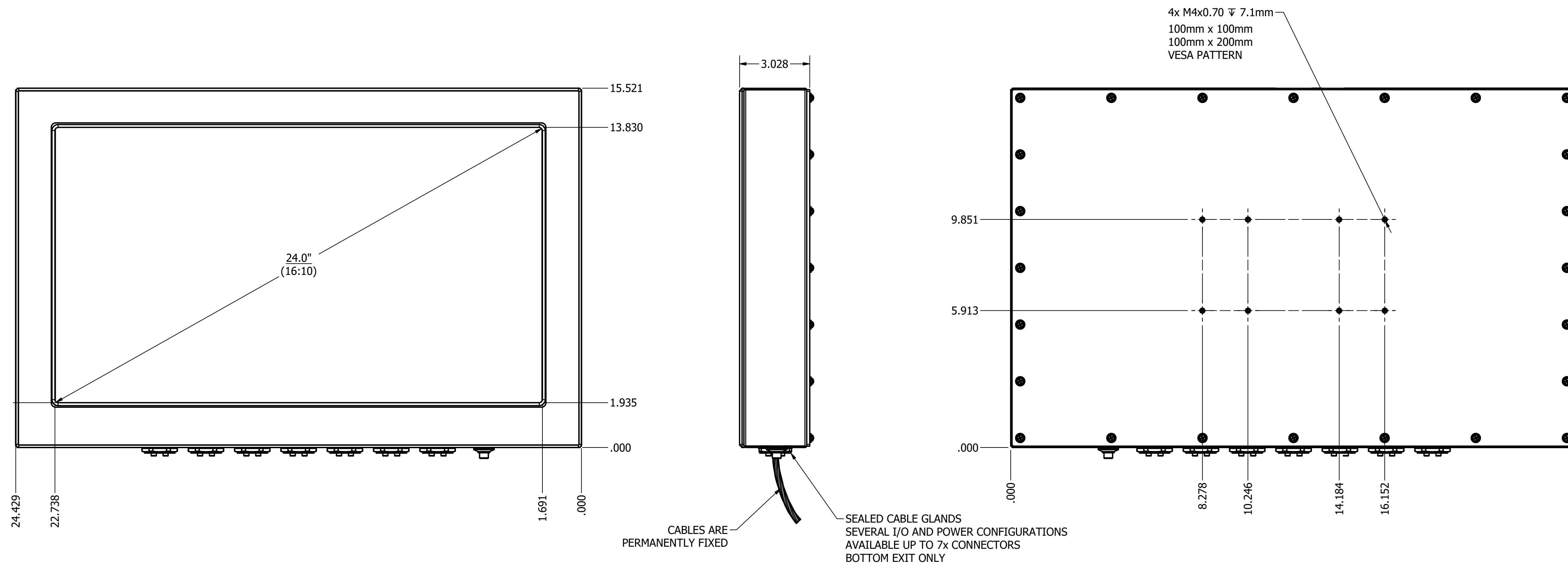


| REVISION HISTORY |           |          |   |
|------------------|-----------|----------|---|
| REV              | DATE      | INITIALS | DESCRIPTION                               |
| 0                | 11/7/2017 | COG      | INITIAL RELEASE                           |
| 1                | 4/7/2021  | TAK      | UPDATED TO MATCH VARTECH STANDARD DRAWING |

**UNIT IS CERTIFIED FOR  
CLASS 1 DIVISION 2 / CLASS 2 DIVISION 2  
IN A HAZARDOUS ENVIRONMENT**

Based on MET Labs File: E212370 / Report: 27439  
Approval Date February 22, 2010



|                                 |      |             |     |   |
|---------------------------------|------|-------------|-----|---|
| DRAWN BY: TAK                   |      | 12/12/2019  |     | <br><b>VARTECH</b><br>SYSTEMS INC.                  |
| USE WITH PRODUCT NUMBER         |      |             |     |   |
| MATERIAL & FINISH               |      |             |     | TITLE   |
|                                 |      |             |     | <b>OUTLINE DRAWING</b><br>C1D2 / C2D2 TOUGH STATION |
| SHEET                           | SIZE | PART NUMBER | REV |   |
| 1 of 1                          | D    | VTPC2400VS  | 1   |   |
| TOLERANCES: .XX=-.01 .XXX=-.005 |      |             |     |   |