

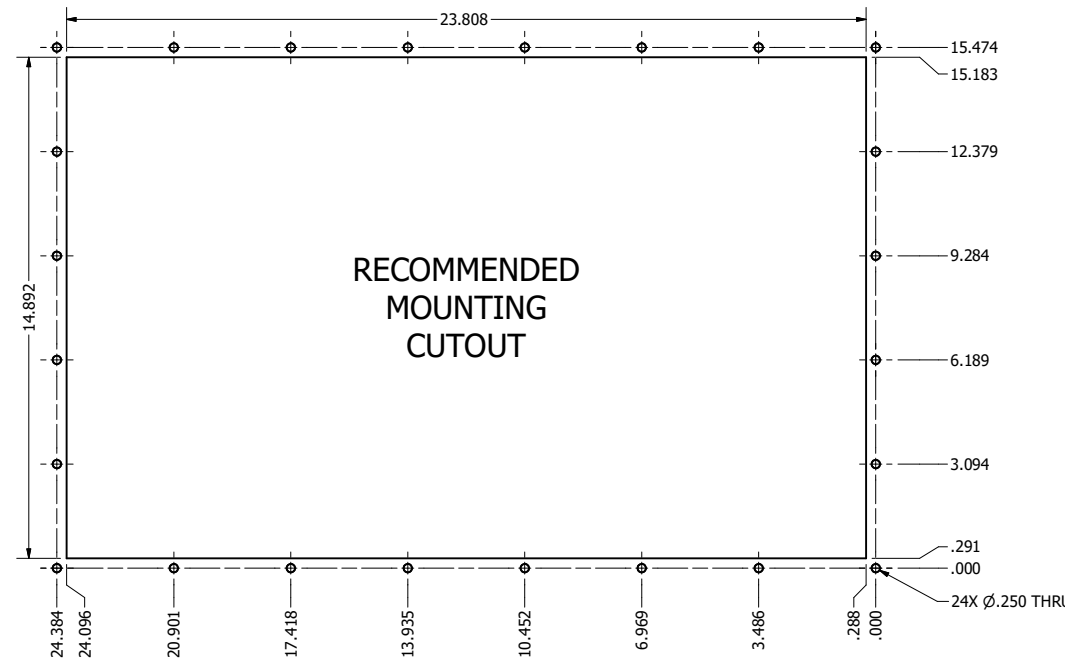
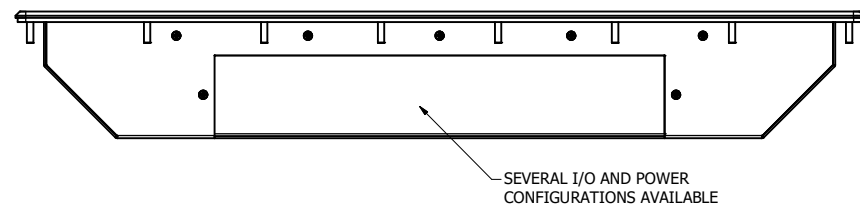
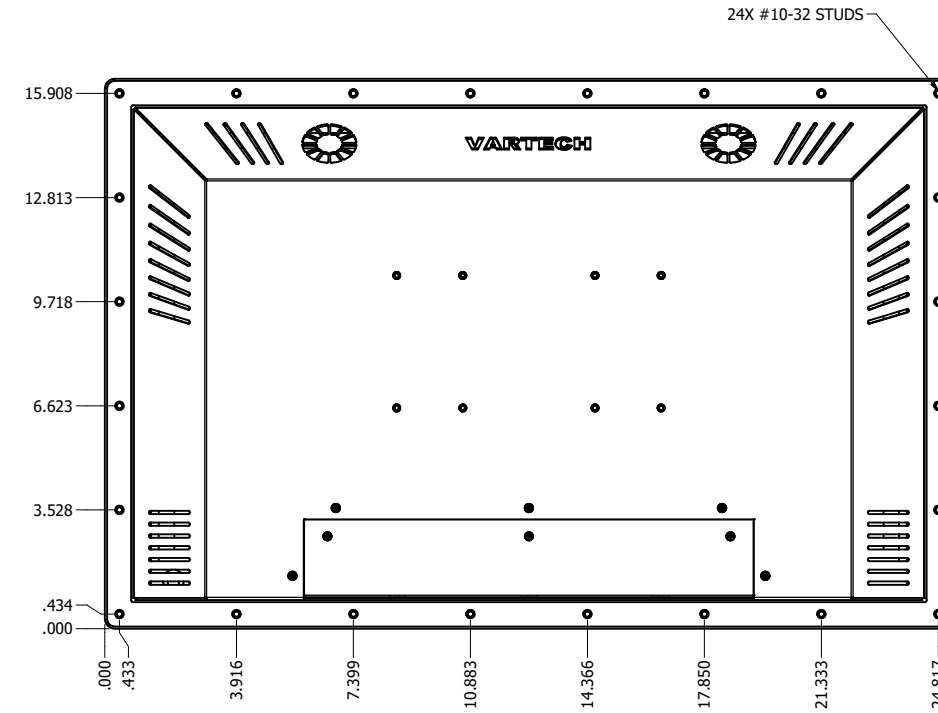
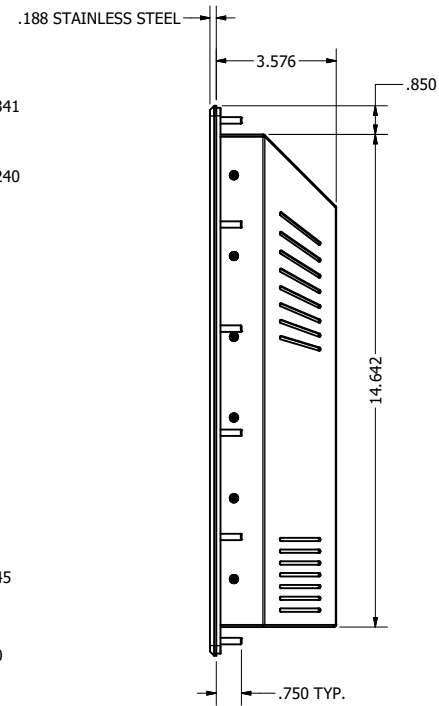
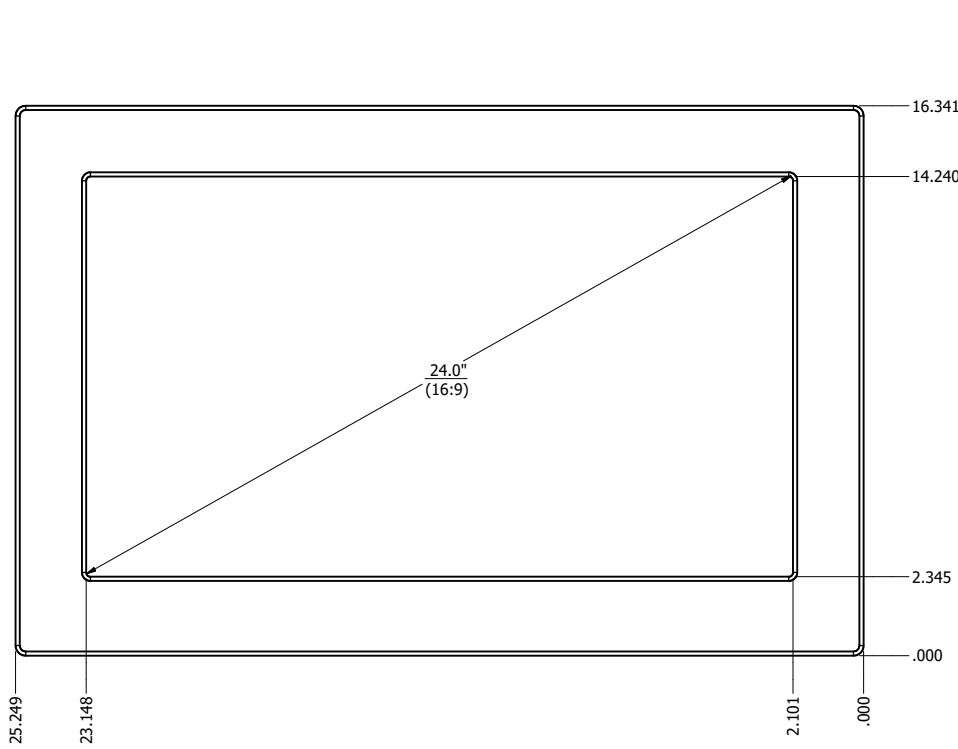
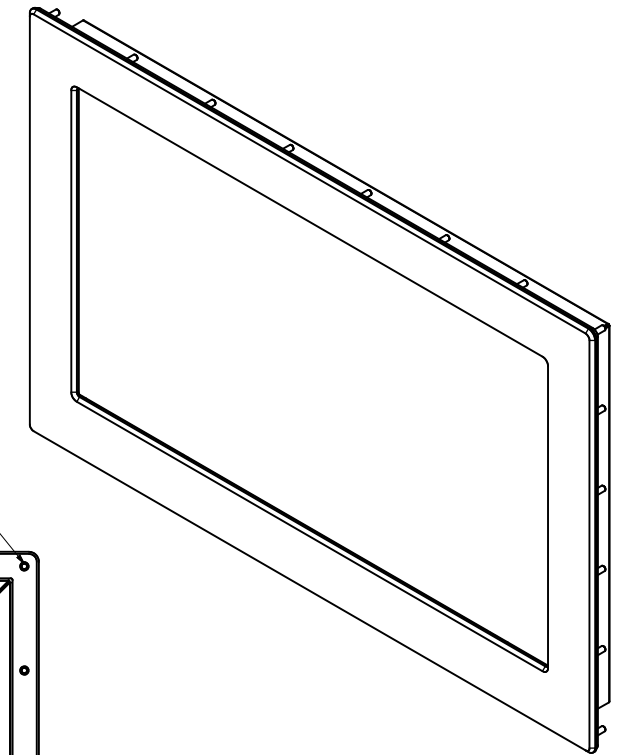
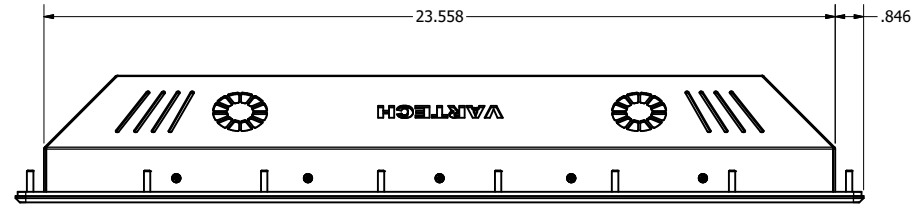
24.0" PANEL MOUNT (Monitor or Computer)

PRELIMINARY DRAWING
DIMENSIONS ARE SUBJECT TO CHANGE

REVISION HISTORY			
REV	DATE	INITIALS	DESCRIPTION
0	7/10/2017	COG	INITIAL RELEASE
1	4/8/2021	COG	UPDATED TO MATCH VARTECH STANDARD DRAWING

**UNIT IS CERTIFIED FOR
CLASS 1 DIVISION 2 / CLASS 2 DIVISION 2
IN A HAZARDOUS ENVIRONMENT**

Based on MET Labs File: E212370 / Report: 27781
Approval Date February 22, 2010



DRAWN BY:		USE WITH PRODUCT NUMBER		
MATERIAL & FINISH		TITLE		
TOLERANCES: .XX=.01 .XXX=.005		OUTLINE DRAWING C1D2 / C2D2 DIAMONDVUE GEN 3		
SHEET 1 of 1	SIZE D	PART NUMBER VTPC2400PS	REV 1	