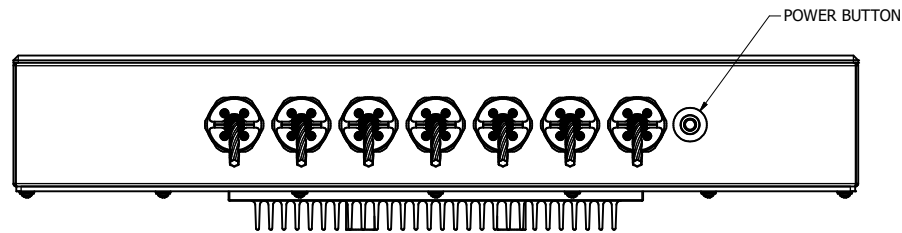
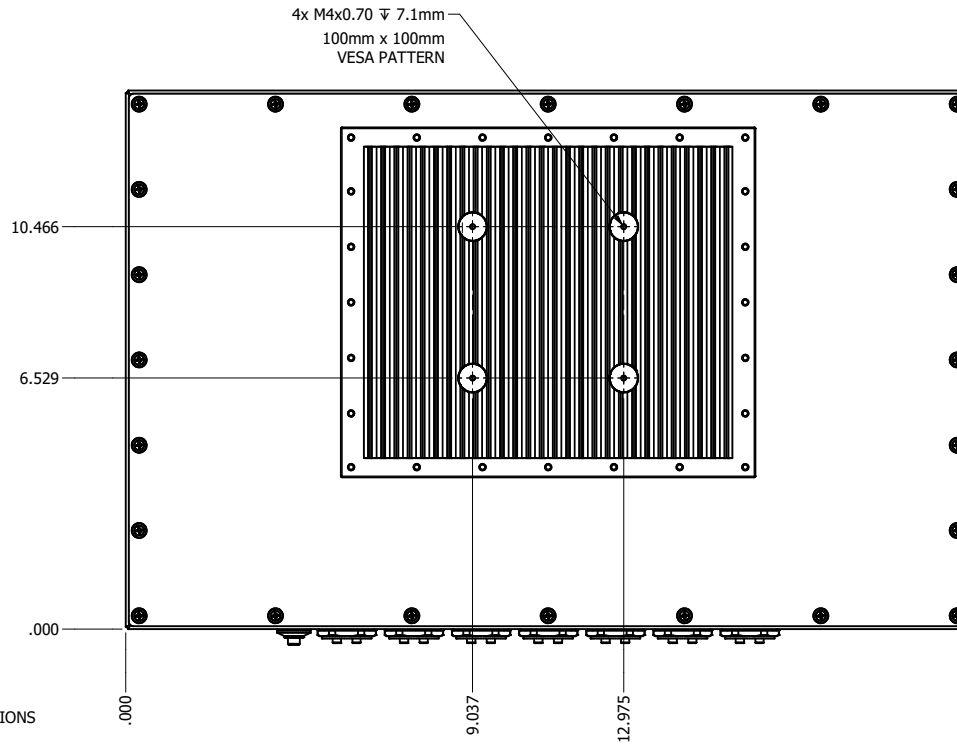
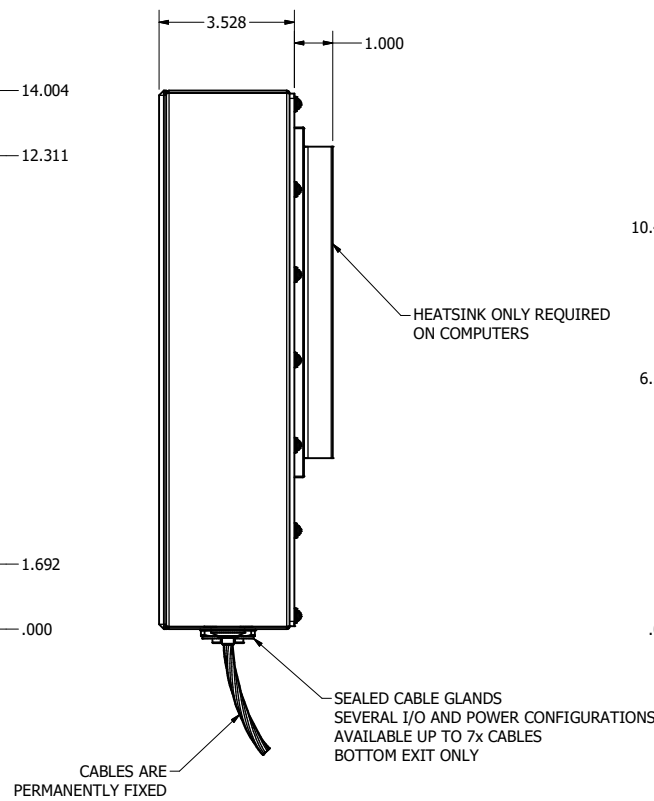
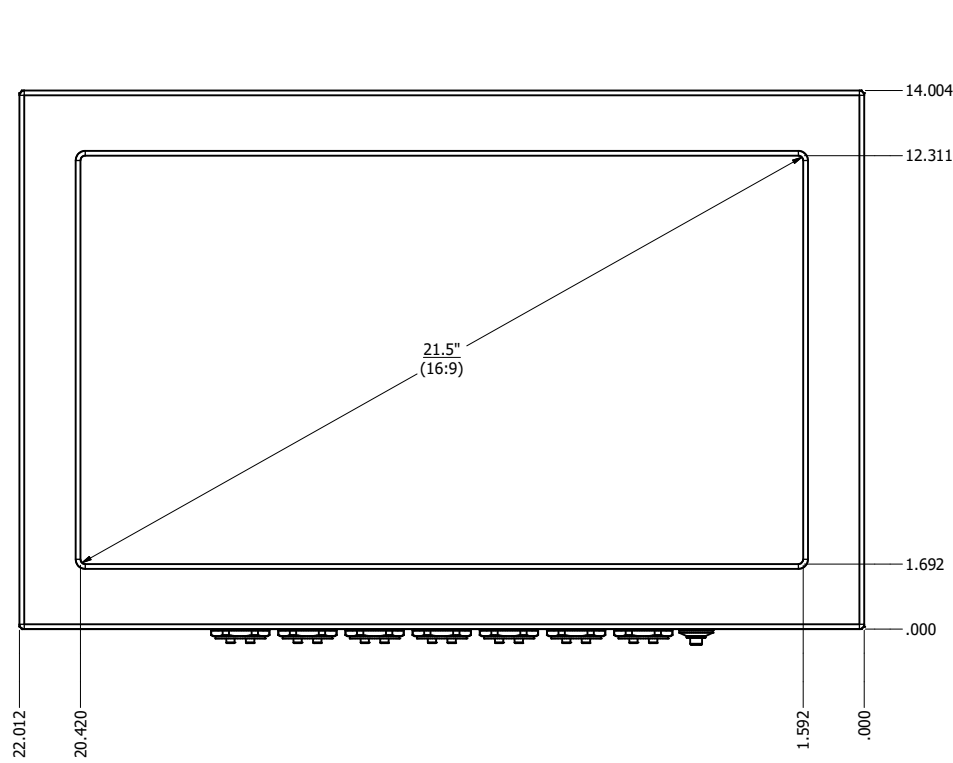
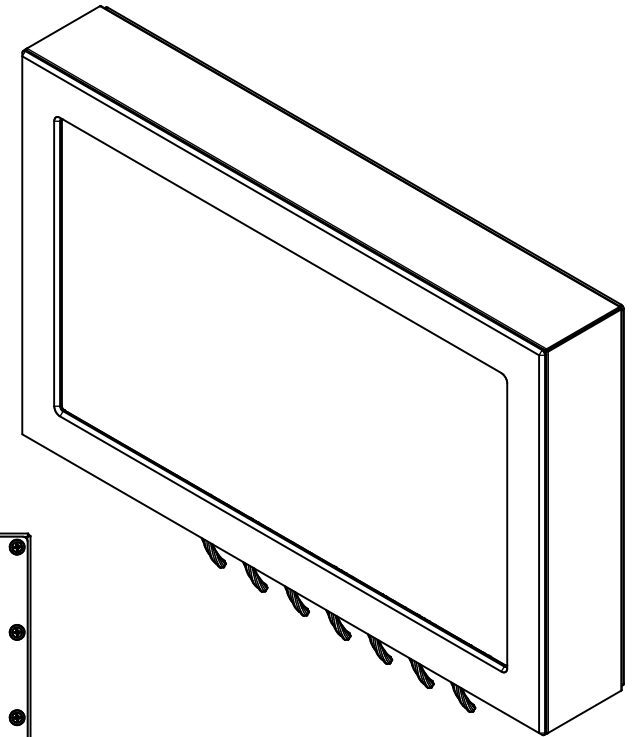


REVISION HISTORY			
REV	DATE	INITIALS	DESCRIPTION
0	11/6/2017	COG	INITIAL RELEASE
1	4/6/2021	maw	UPDATED TO MATCH VARTECH STANDARD DRAWING

**UNIT IS CERTIFIED FOR  
CLASS 1 DIVISION 2 / CLASS 2 DIVISION 2  
IN A HAZARDOUS ENVIRONMENT**

Based on MET Labs File: E212370 / Report: 27439  
Approval Date February 22, 2010



DRAWN BY: mwitham		4/1/2021		
USE WITH PRODUCT NUMBER				
MATERIAL & FINISH				TITLE
				OUTLINE DRAWING C1D2 / C2D2 TOUGH STATION
SHEET	SIZE	PART NUMBER	REV	
1 of 1	D	VTPC2100VS	1	
TOLERANCES: .XX=-.01 .XXX=-.005				