

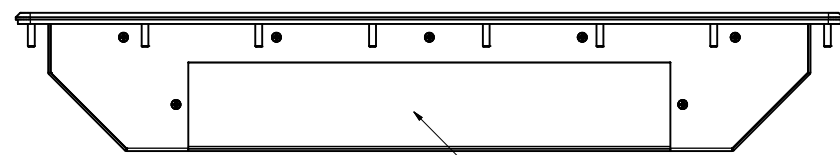
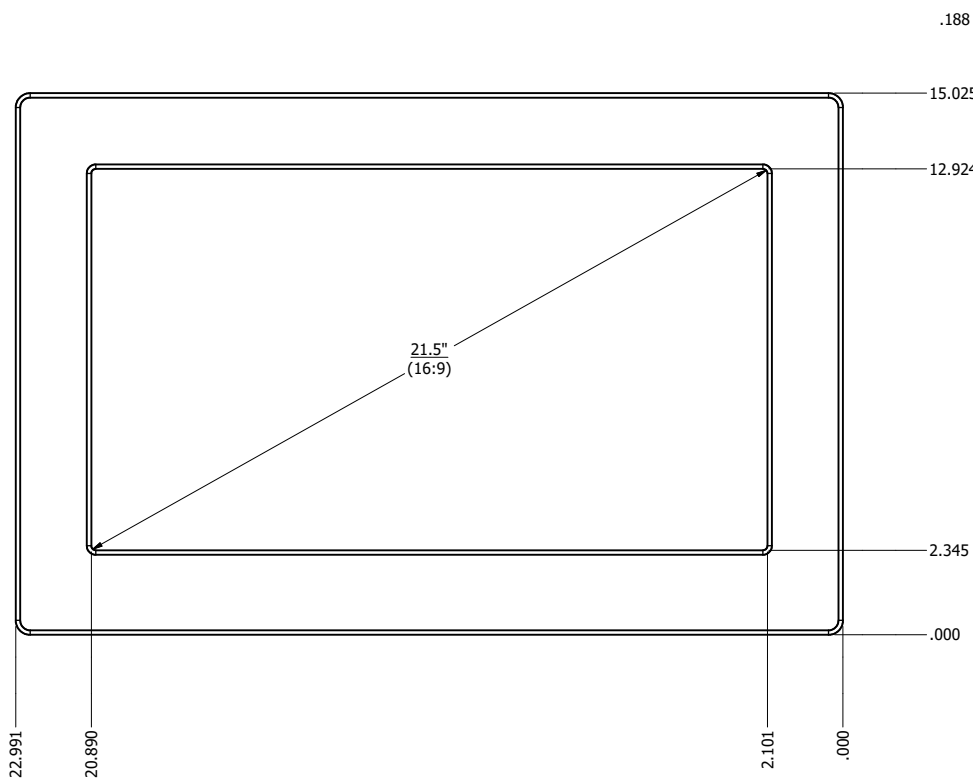
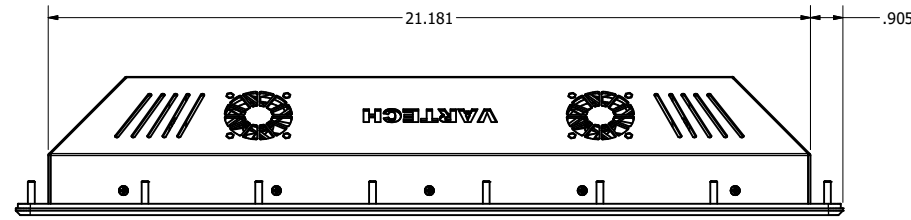
21.5" PANEL MOUNT (Monitor or Computer)

PRELIMINARY DRAWING  
DIMENSIONS ARE SUBJECT TO CHANGE

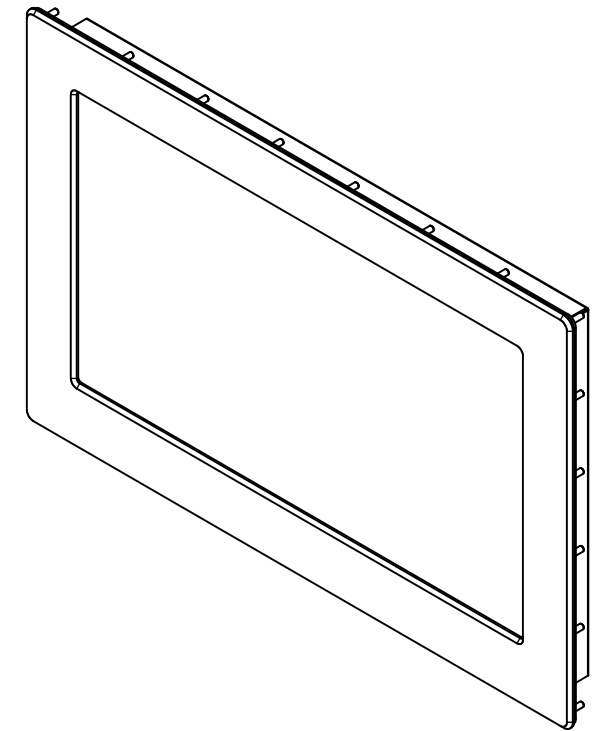
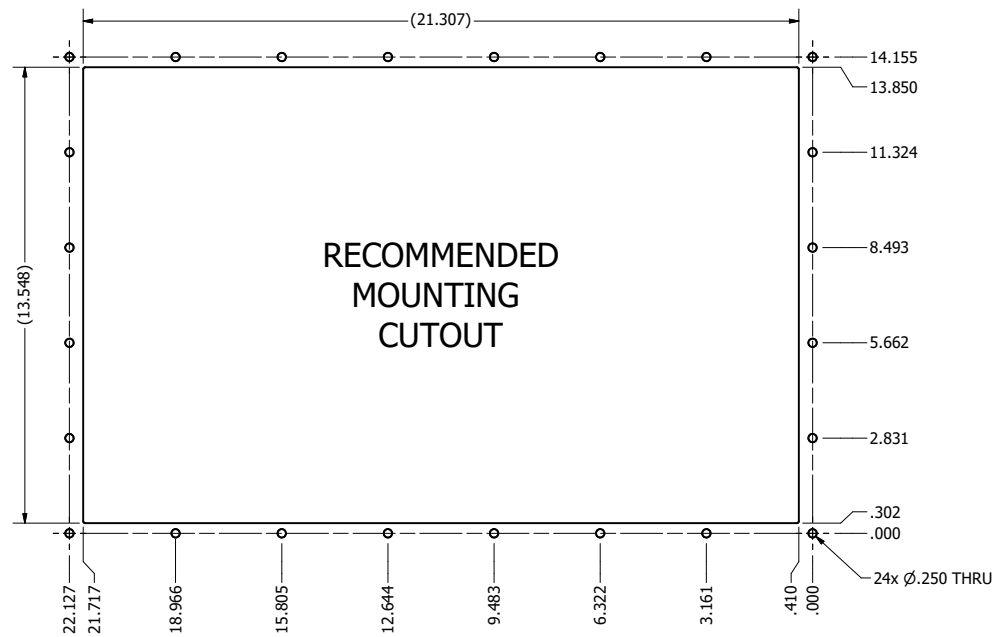
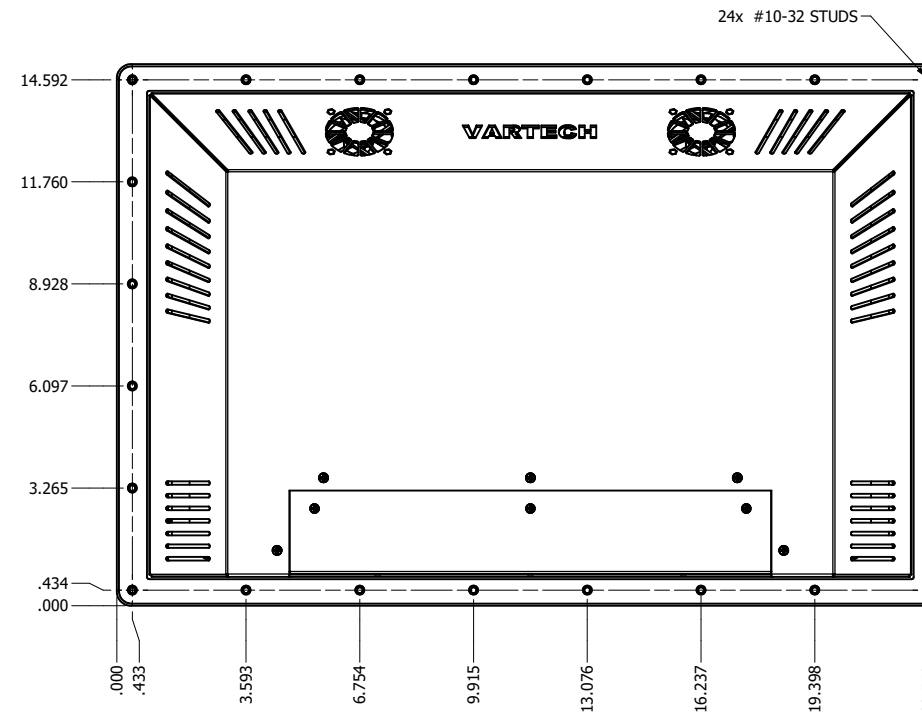
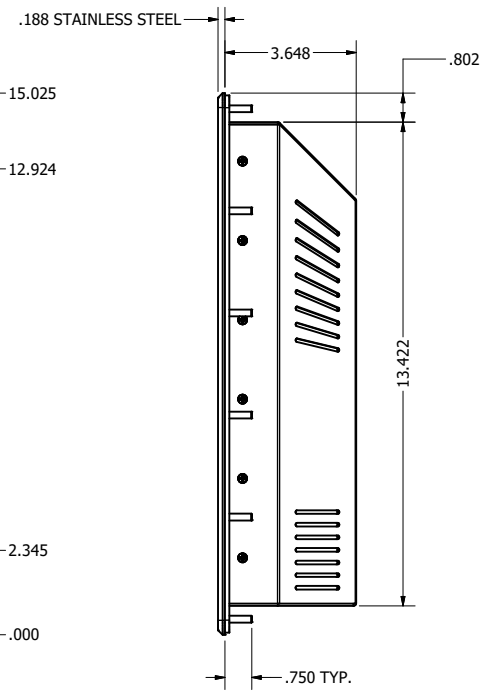
REVISION HISTORY			
REV	DATE	INITIALS	DESCRIPTION
0	7/10/2017	MLC	INITIAL RELEASE
1	4/6/2021	maw	UPDATED TO MATCH VARTECH STANDARD DRAWING

**UNIT IS CERTIFIED FOR  
CLASS 1 DIVISION 2 / CLASS 2 DIVISION 2  
IN A HAZARDOUS ENVIRONMENT**

Based on MET Labs File: E212370 / Report: 27781  
Approval Date February 22, 2010



SEVERAL I/O AND POWER CONFIGURATIONS AVAILABLE



DRAWN BY: mwitham		4/7/2021	
USE WITH PRODUCT NUMBER			
TITLE			
MATERIAL & FINISH			
SHEET	SIZE	PART NUMBER	REV
1 of 1	D	VTPC2100PS	1
TOLERANCES: .XX=-.01 .XXX=-.005			



OUTLINE DRAWING  
C1D2 / C2D2 DIAMONDVUE