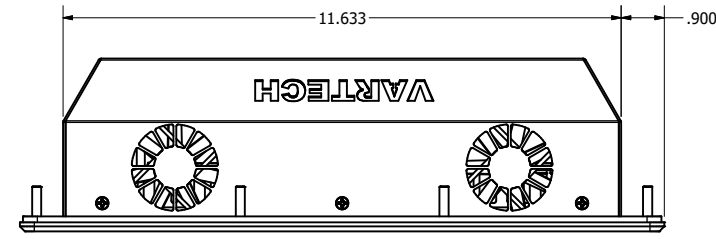


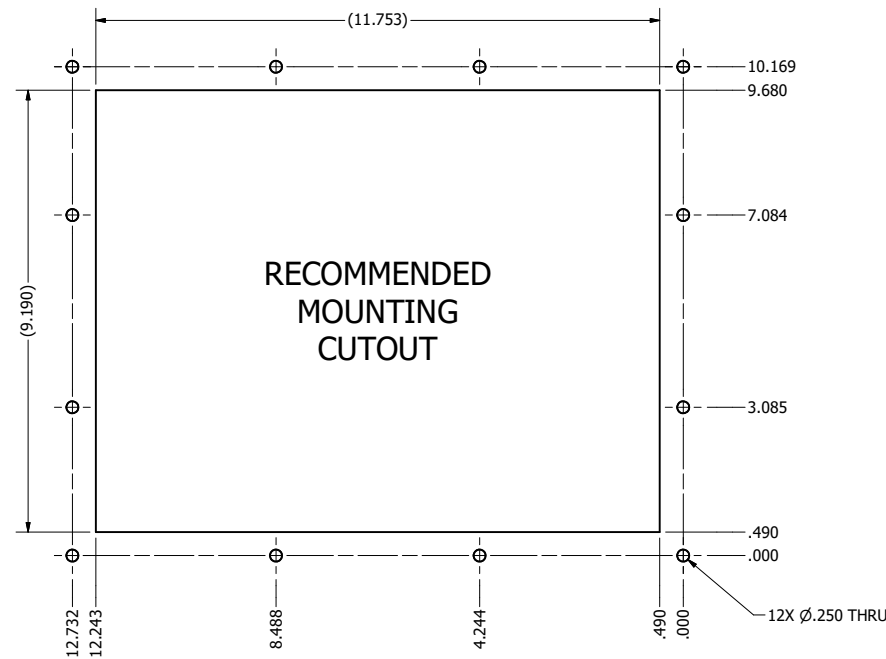
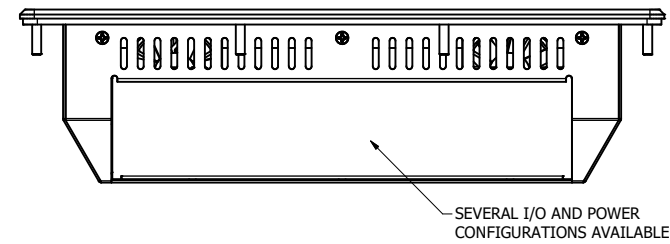
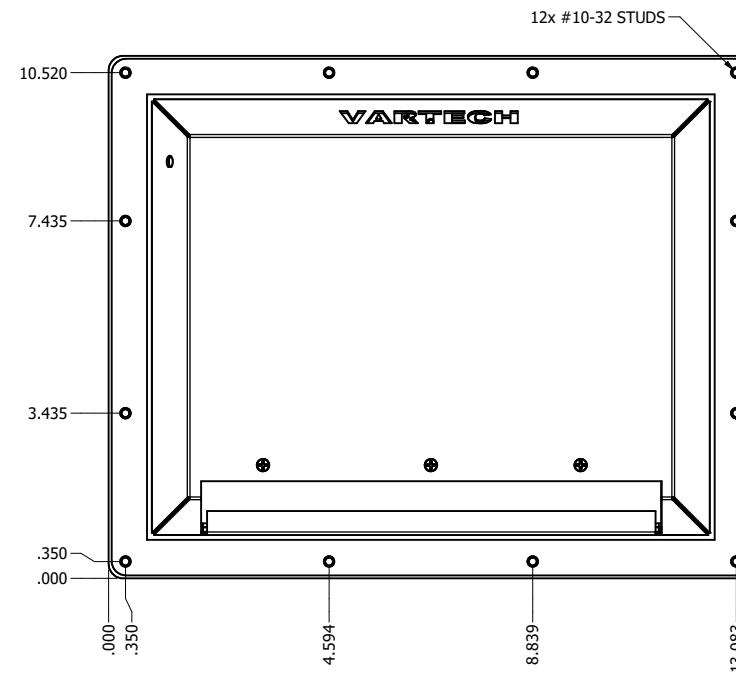
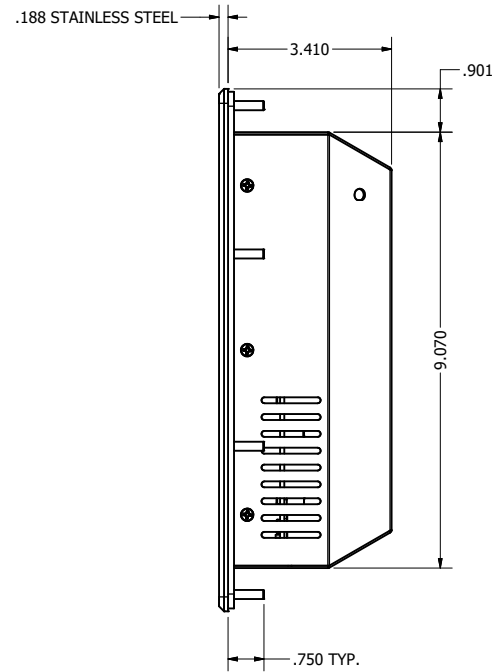
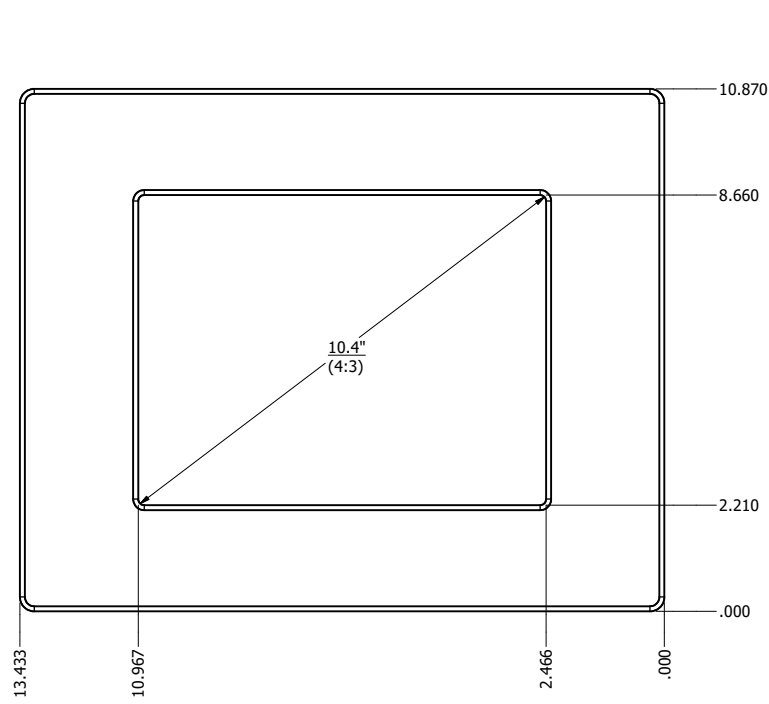
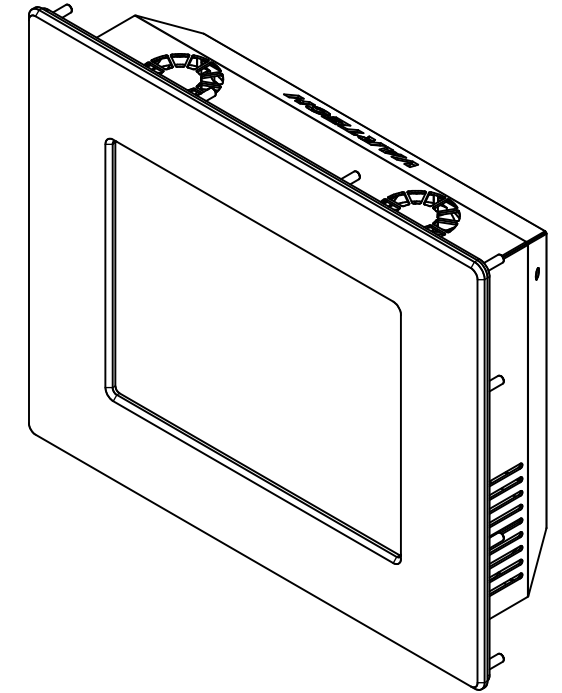
10.4" PANEL MOUNT (Monitor or Computer)

PRELIMINARY DRAWING  
DIMENSIONS ARE SUBJECT TO CHANGE

REVISION HISTORY			
REV	DATE	INITIALS	DESCRIPTION
0	10/12/2009	SAH	INITIAL RELEASE
1	4/8/2021	COG	UPDATED TO MATCH VARTECH STANDARD DRAWING



**UNIT IS CERTIFIED FOR  
CLASS 1 DIVISION 2 / CLASS 2 DIVISION 2  
IN A HAZARDOUS ENVIRONMENT**  
Based on MET Labs File: E212370 / Report: 27781  
Approval Date February 22, 2010



DRAWN BY: CGRAY		4/8/2021		 VARTECH SYSTEMS INC.
USE WITH PRODUCT NUMBER				
MATERIAL & FINISH				TITLE
				OUTLINE DRAWING C1D2 / C2D2 DIAMONDVUE GEN3
SHEET	SIZE	PART NUMBER	REV	
1 of 1	D	VTPC100PS	1	
TOLERANCES: .XX=-.01 .XXX=-.005				