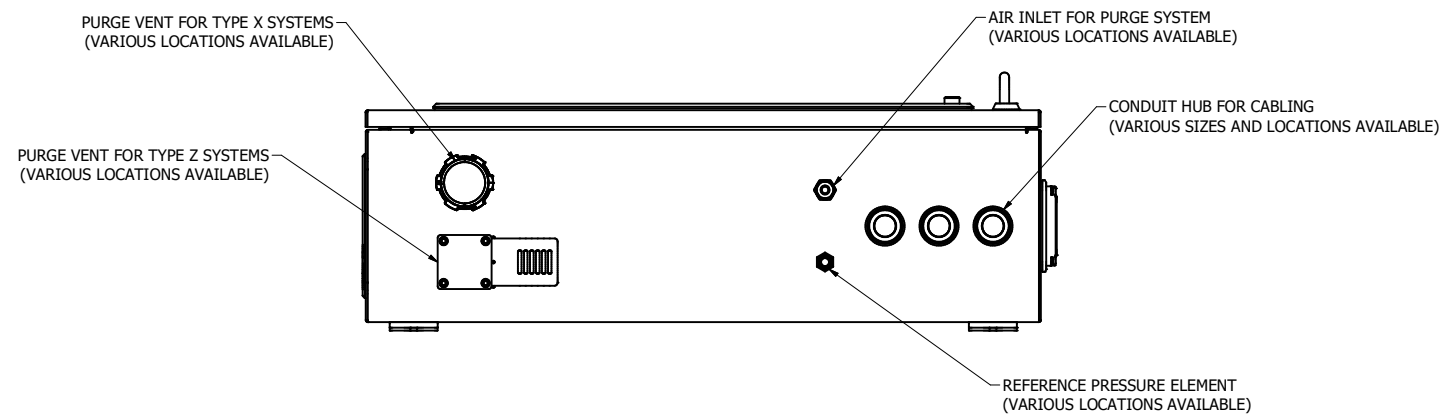
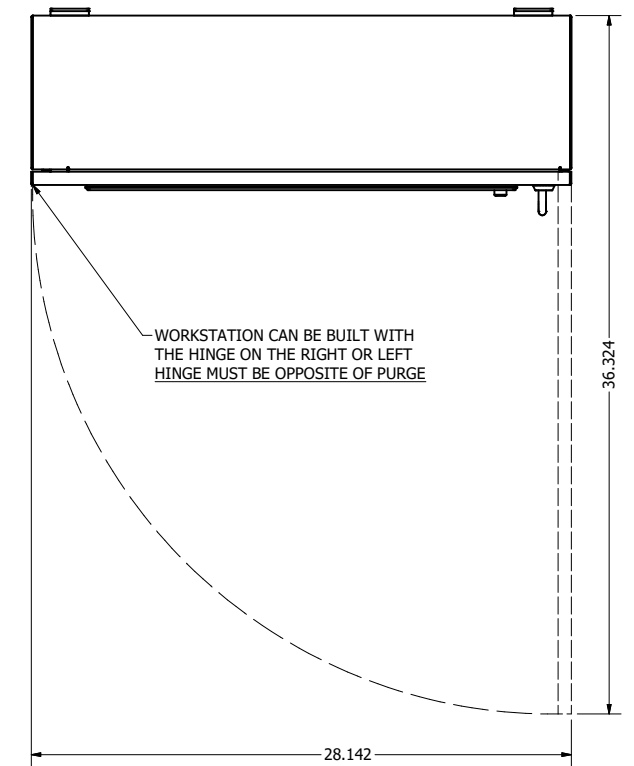
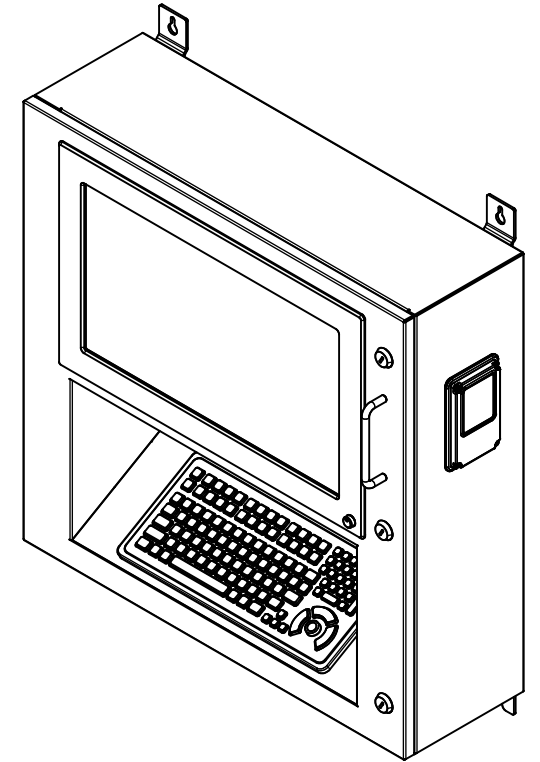
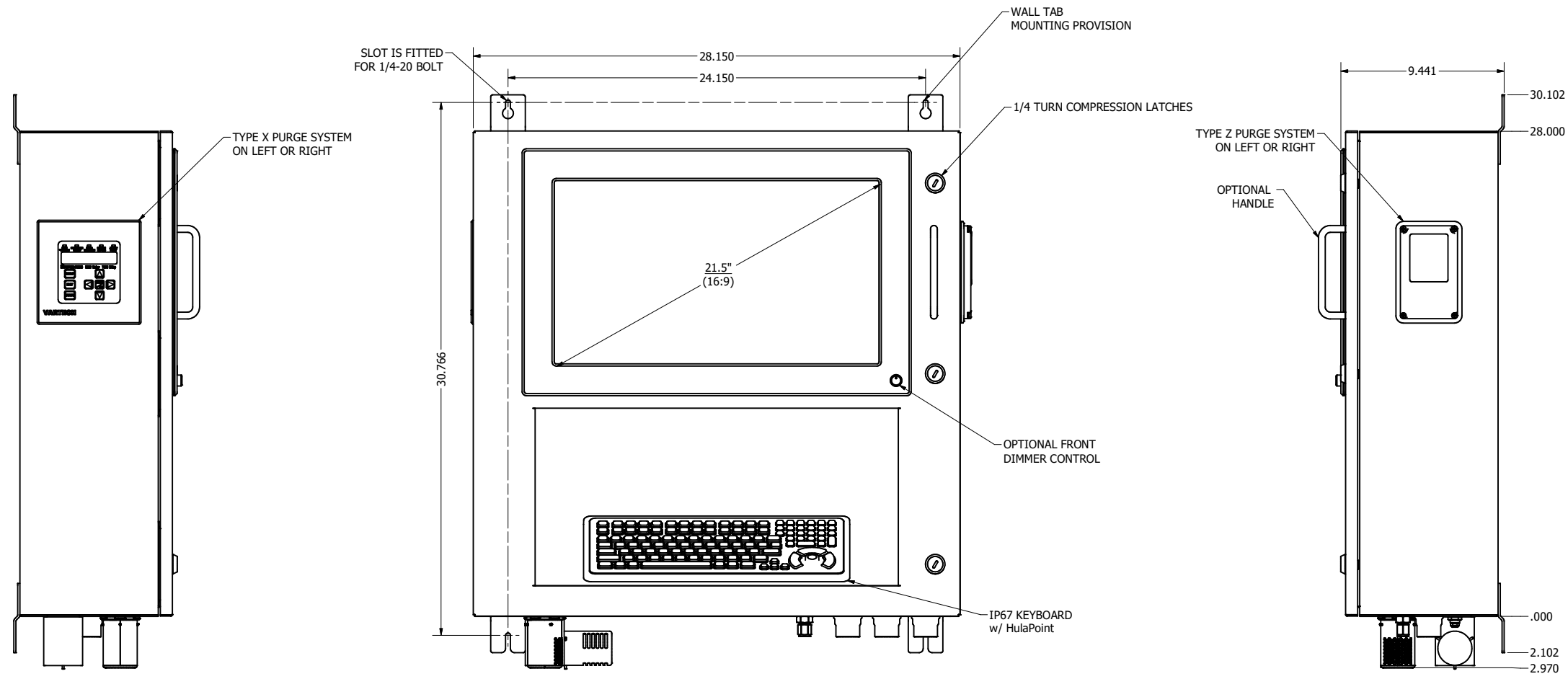


REVISION HISTORY			
REV	DATE	INITIALS	DESCRIPTION
00	3/18/2021	TAK	INITIAL RELEASE

**BOTH TYPE X (C1D1) AND TYPE Z (C1D2) PURGE SYSTEMS
ARE SHOWN DEPENDING ON APPLICATION
ONE PURGE SYSTEM PER WORKSTATION**



DRAWN BY: TAK		3/3/2021		
USE WITH PRODUCT NUMBER				
MATERIAL & FINISH				TITLE TOUGH STATION FOR HAZLOC ERGONOMIC WORKSTATION - GEN 1
SHEET	SIZE	PART NUMBER	REV	
1 OF 3	D	VTHTR1#215bMTSx/z	00	
TOLERANCES: .XX=-.01 .XXX=-.005				