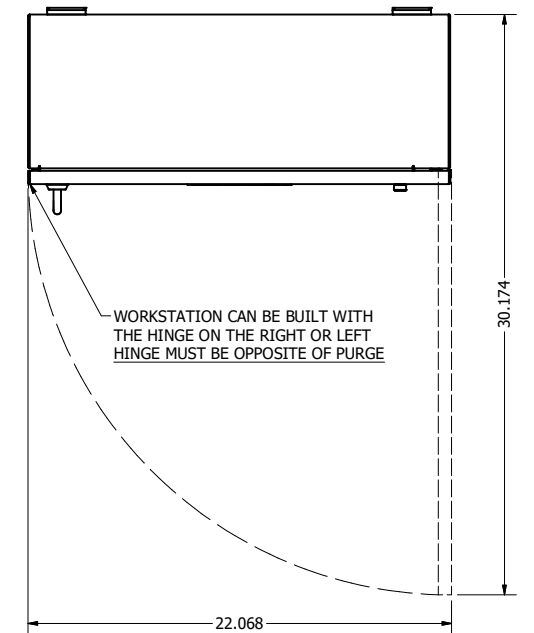
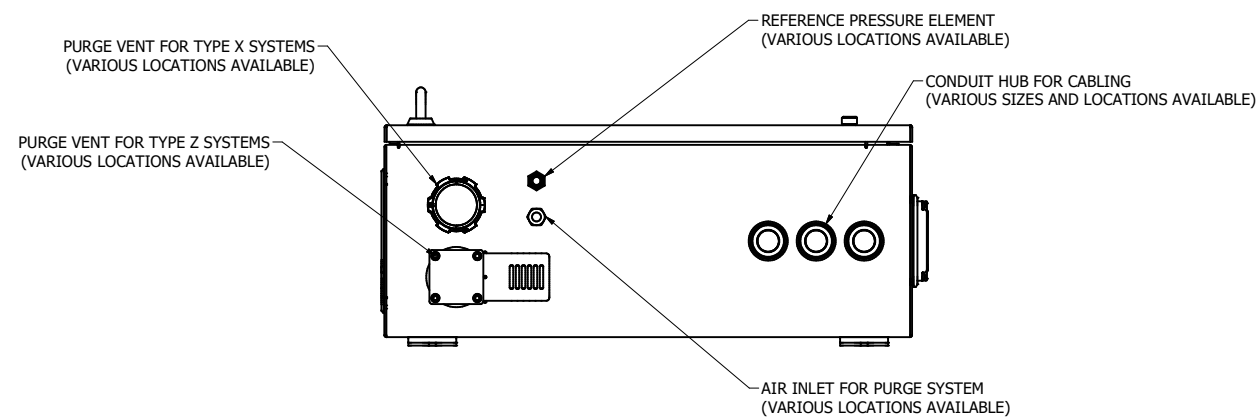
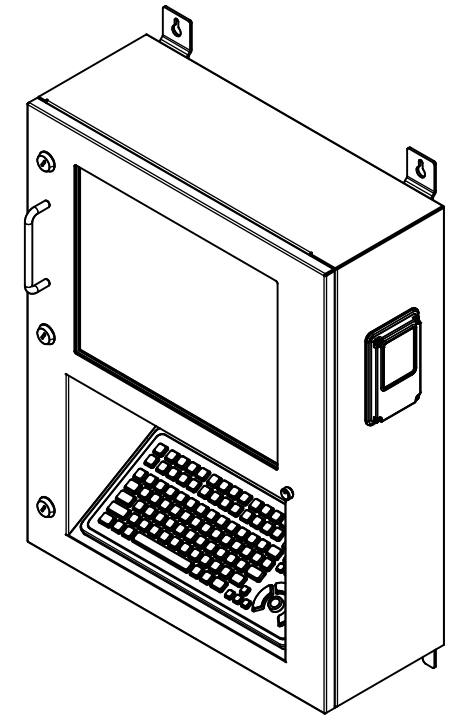
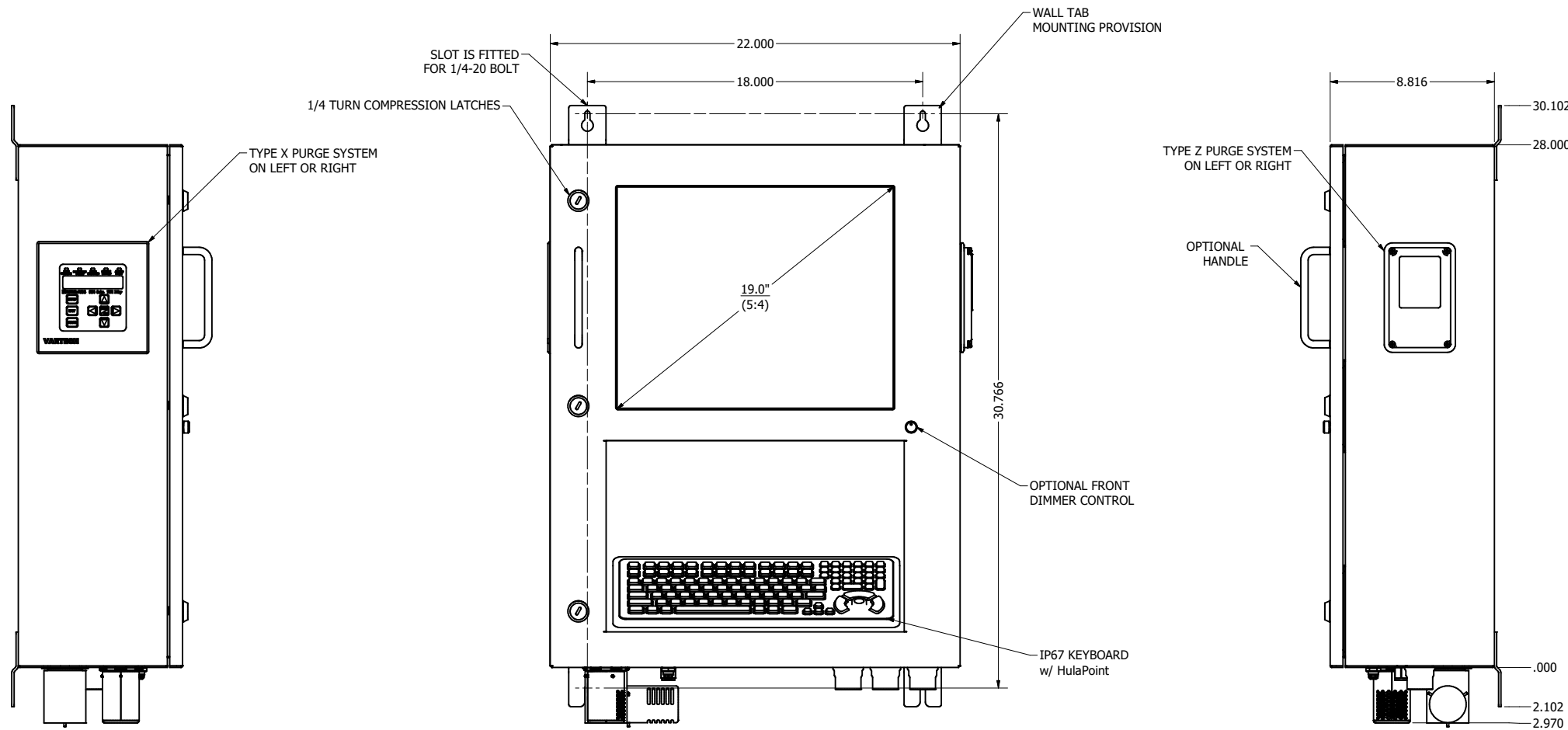


REVISION HISTORY			
REV	DATE	INITIALS	DESCRIPTION
00	3/18/2021	TAK	INITIAL RELEASE

**BOTH TYPE X (C1D1) AND TYPE Z (C1D2) PURGE SYSTEMS
ARE SHOWN DEPENDING ON APPLICATION
ONE PURGE SYSTEM PER WORKSTATION**



DRAWN BY: TAK		3/2/2021		 VARTECH SYSTEMS INC.	
USE WITH PRODUCT NUMBER					
MATERIAL & FINISH				TITLE	
				TOUGH STATION FOR HAZLOC ERGONOMIC WORKSTATION - GEN 1	
SHEET	SIZE	PART NUMBER	REV		
1 of 3	D	VTHTR1#190dMTSx/z	00		
TOLERANCES: .XX=-.01 .XXX=-.005					