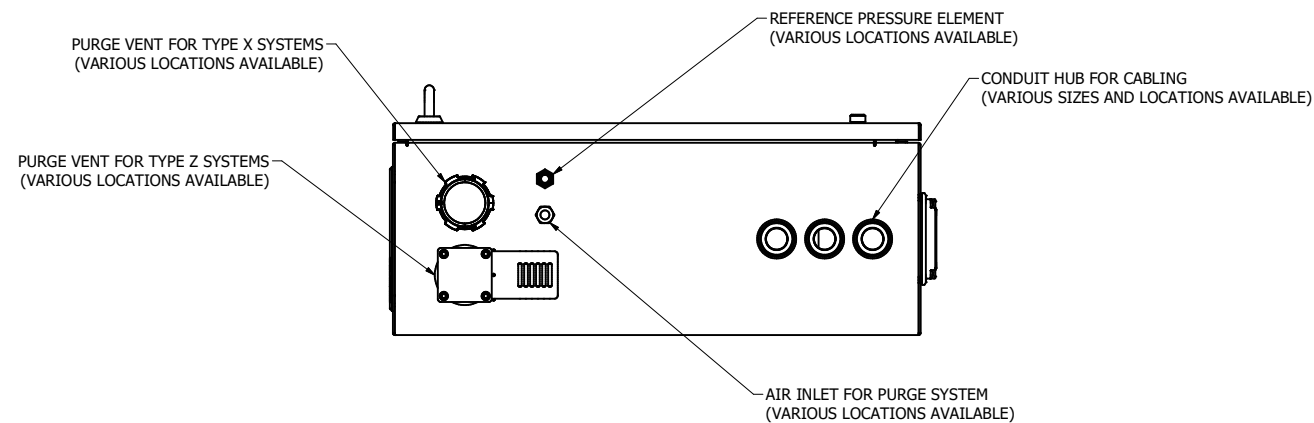
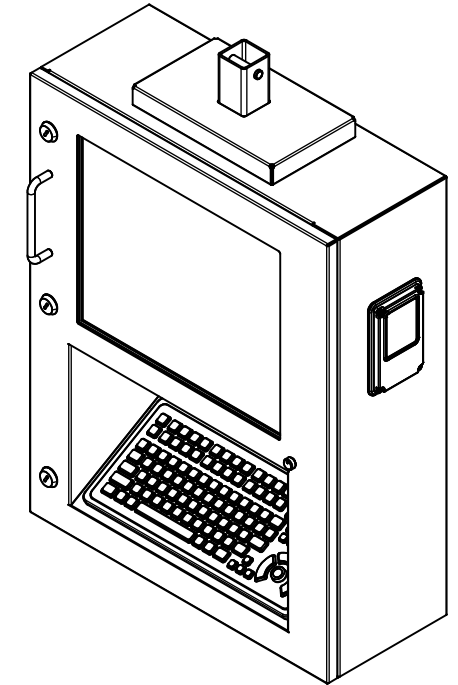
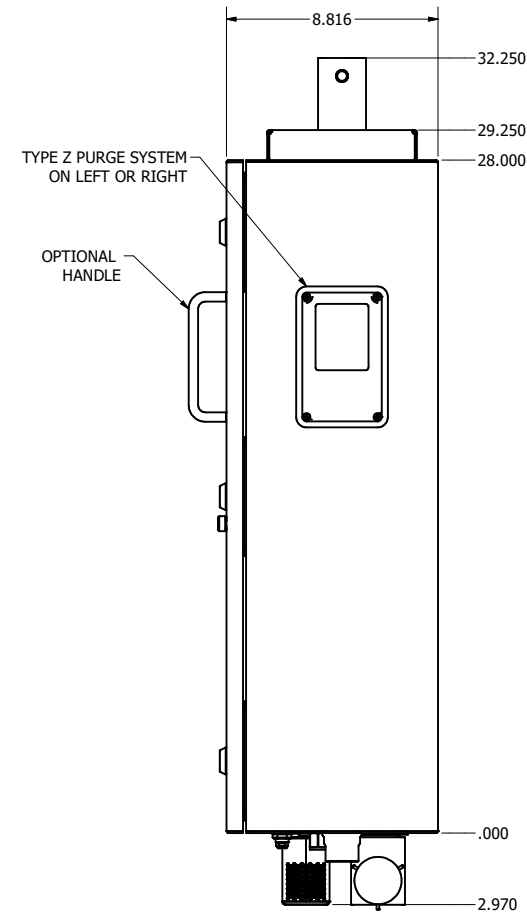
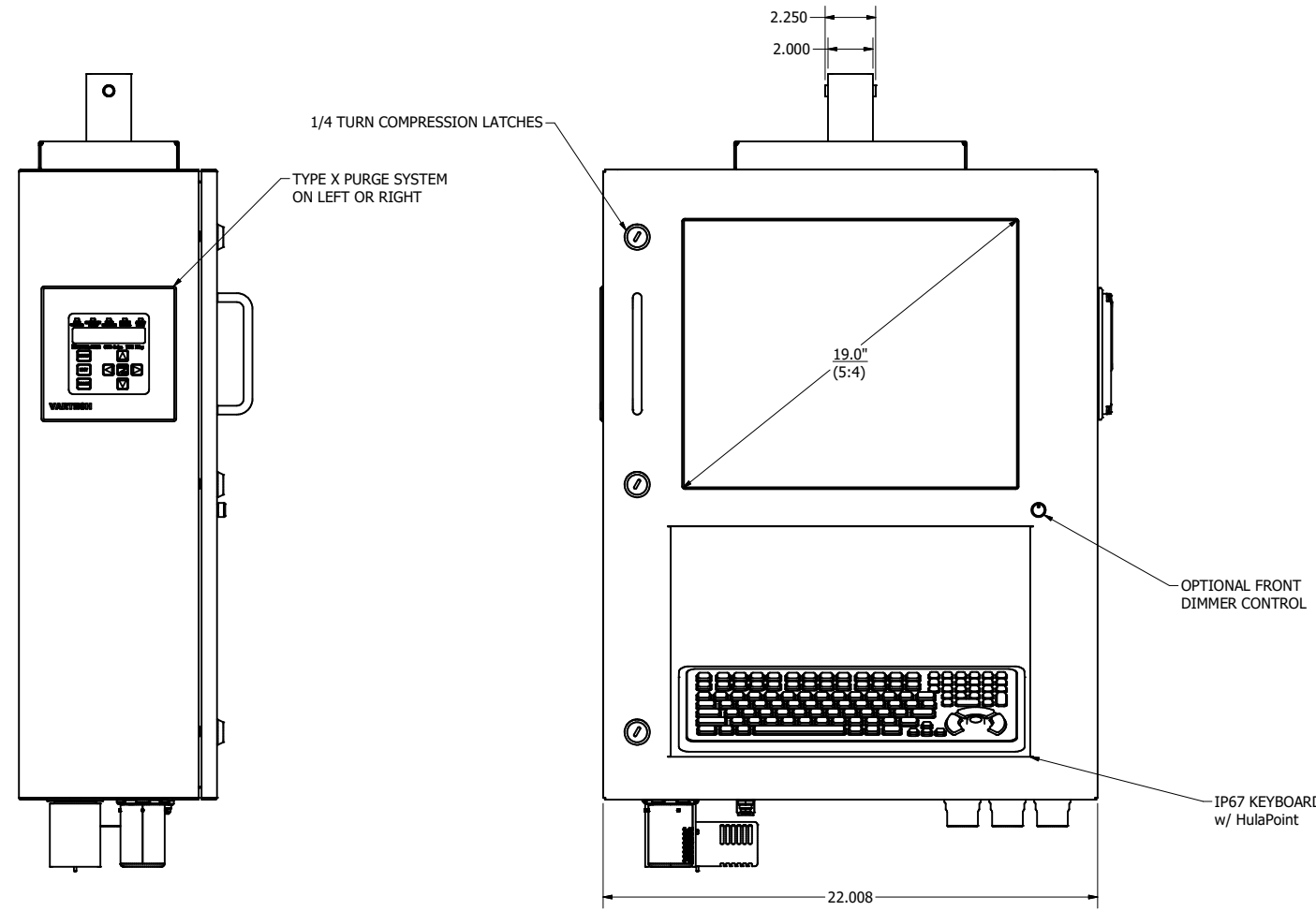
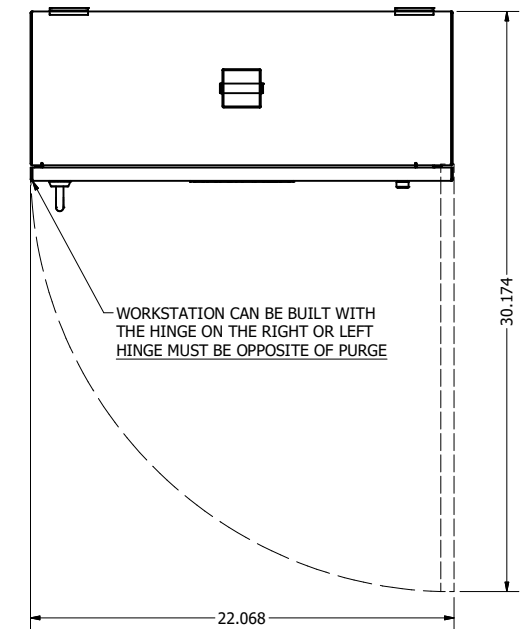


REVISION HISTORY			
REV	DATE	INITIALS	DESCRIPTION
00	3/18/2021	TAK	INITIAL RELEASE

**BOTH TYPE X (C1D1) AND TYPE Z (C1D2) PURGE SYSTEMS  
ARE SHOWN DEPENDING ON APPLICATION  
\*\*ONE PURGE SYSTEM PER WORKSTATION\*\***



WORKSTATION CAN BE BUILT WITH THE HINGE ON THE RIGHT OR LEFT HINGE MUST BE OPPOSITE OF PURGE



DRAWN BY: TAK		3/2/2021		
USE WITH PRODUCT NUMBER				
MATERIAL & FINISH				<b>TITLE</b> TOUGH STATION FOR HAZLOC ERGONOMIC WORKSTATION - GEN 1
SHEET	SIZE	PART NUMBER	REV	
2 of 3	D	VTHTR1#190dAMSx/z	00	
TOLERANCES: .XX=-.01 .XXX=-.005				