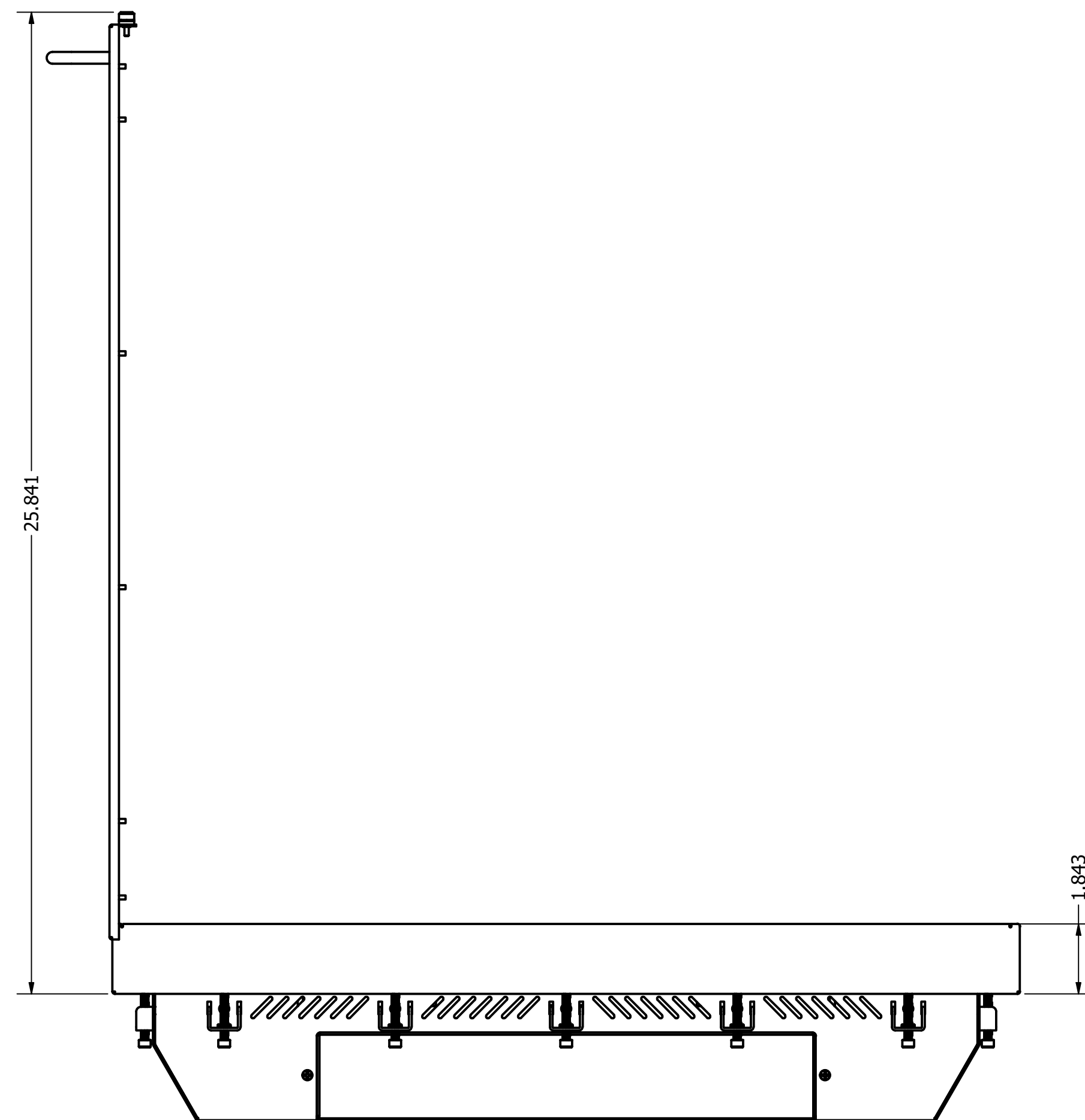
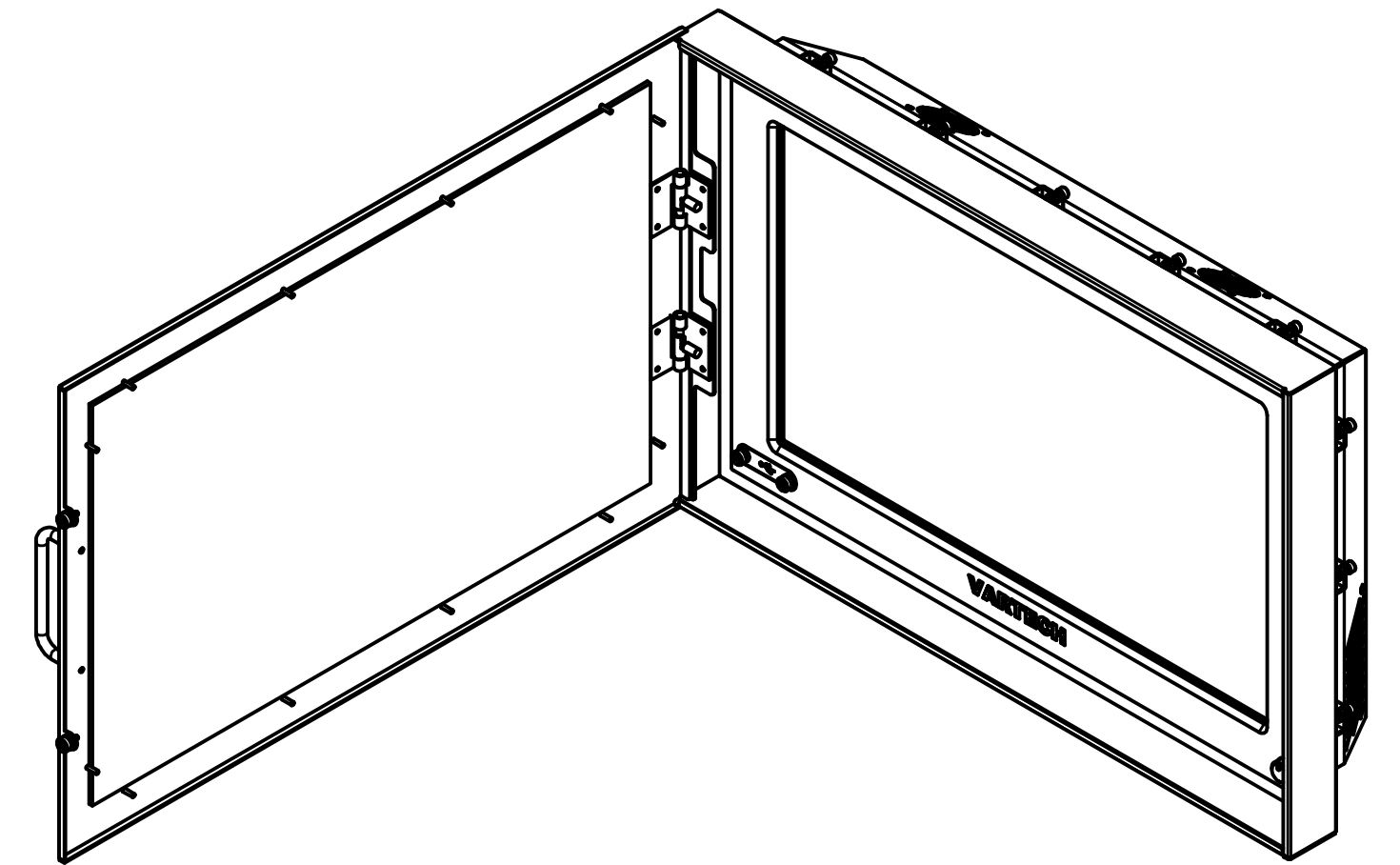
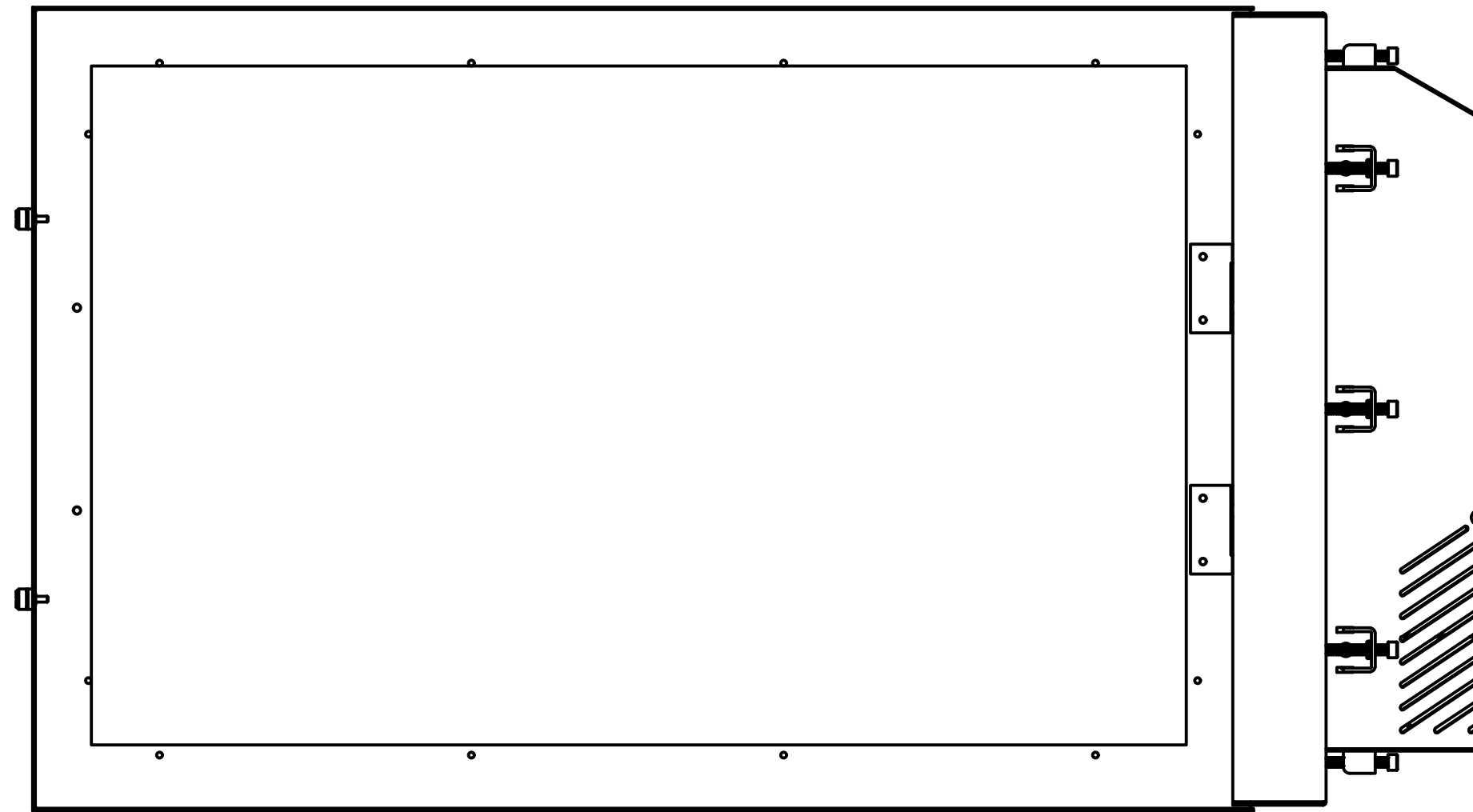
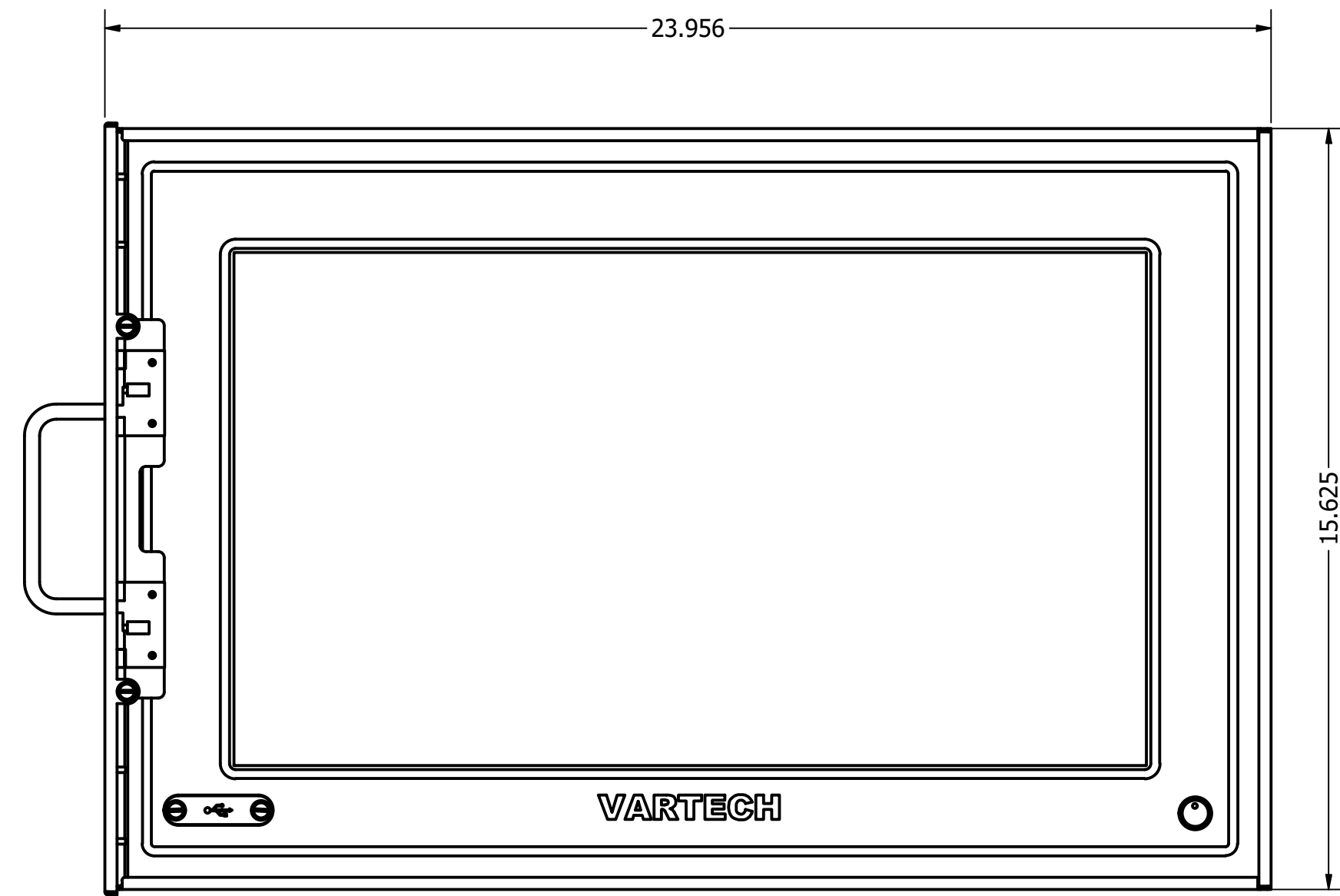



REVISION HISTORY			
REV	DATE	INITIALS	DESCRIPTION
00	6/14/2021	TAK	RELEASED

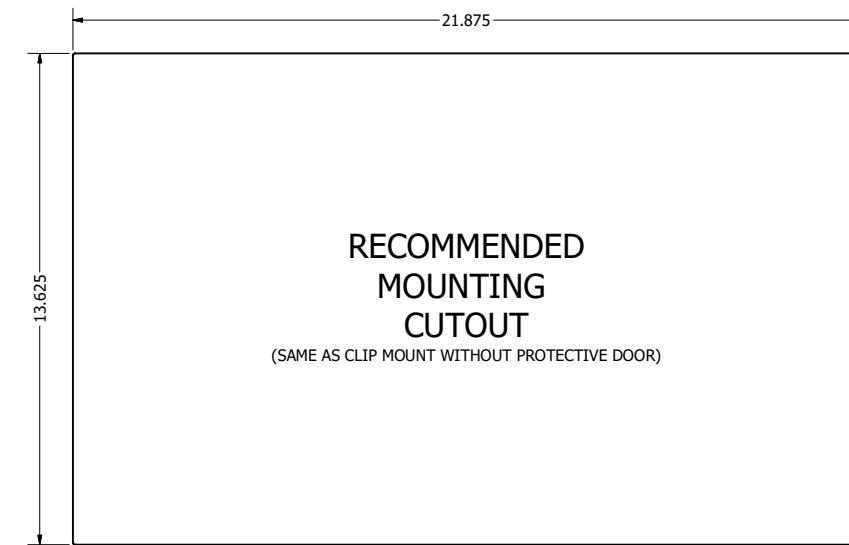
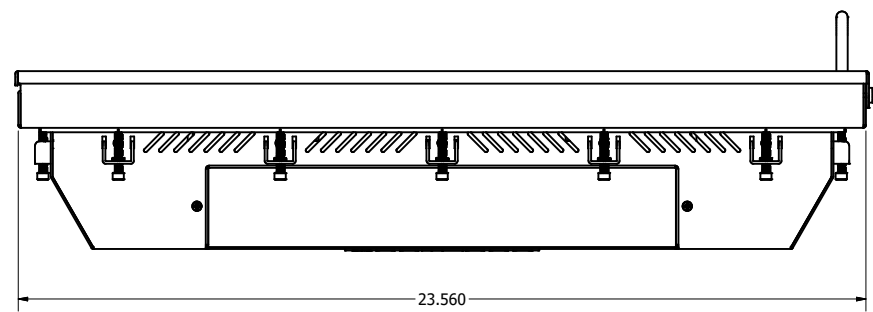
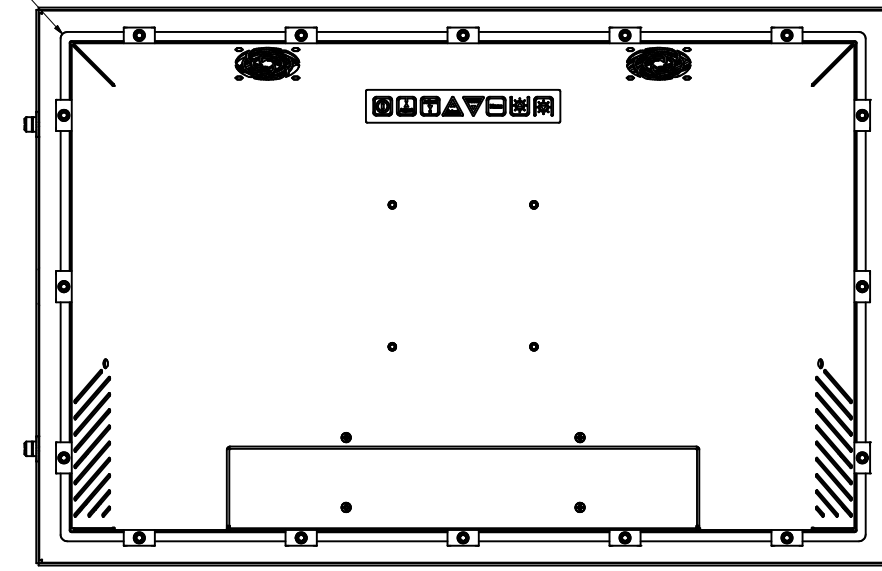
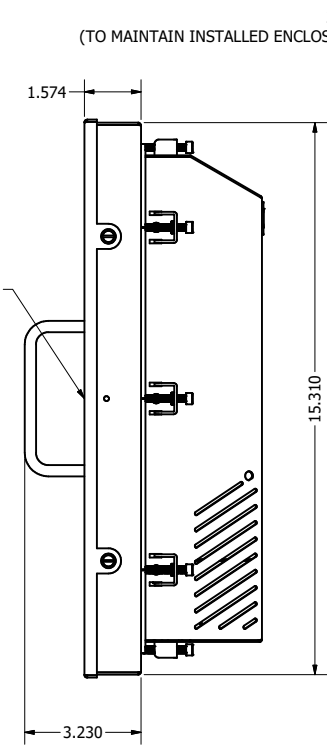
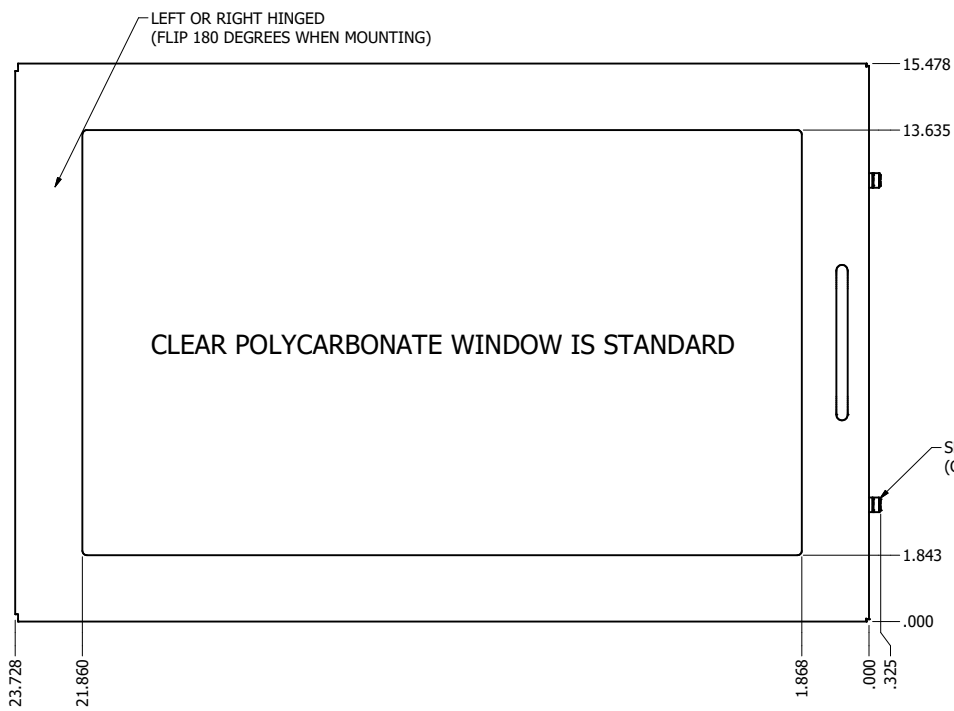
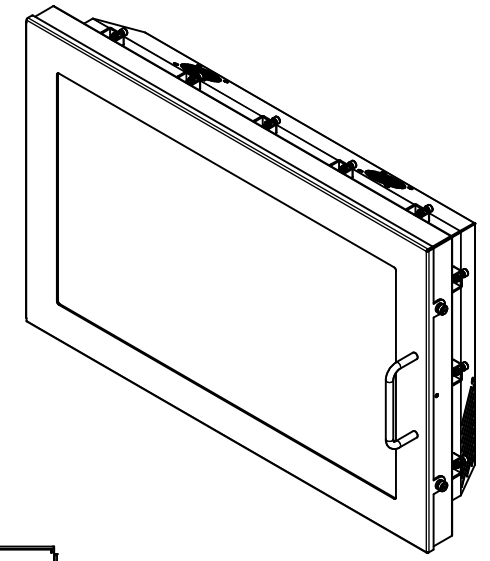
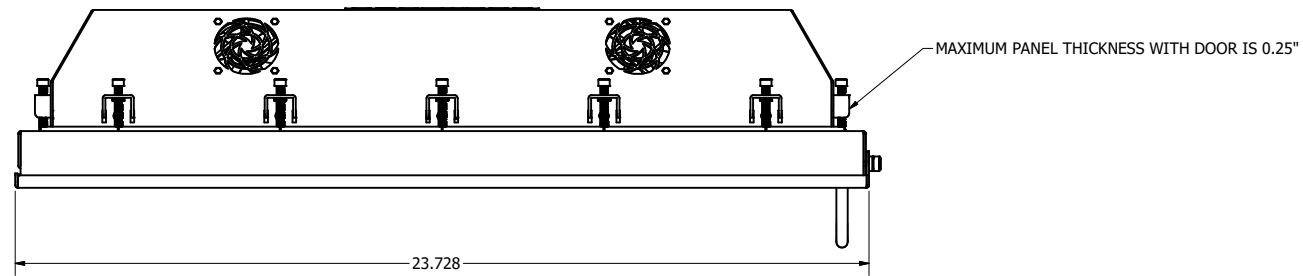


NOTES:  
1.

DRAWN BY: mwitham		11/26/2019		 <b>VARTECH</b> SYSTEMS INC.
USE WITH PRODUCT NUMBER				
TITLE				<b>OUTLINE DRAWING</b> DIAMONDVUE 4
QUOTE NUMBER				
SHEET	SIZE	PART NUMBER	REV	
1 of 1	D	EXP-0432-241	00	
TOLERANCES: .XX=-.01 .XXX=-.005				

# 21.5" CLIP MOUNT PROTECTIVE DOOR

REVISION HISTORY			
REV	DATE	INITIALS	DESCRIPTION
00	11/27/19	MAW	INITIAL RELEASE
01	9/1/2021	TAK	ADDED VTDV4D215bCPA



DRAWN BY: mwitham		11/26/2019		 <b>VARTECH</b> SYSTEMS INC.	
USE WITH PRODUCT NUMBER					
MATERIAL & FINISH				TITLE	
				OUTLINE DRAWING DIAMONDVUE 4	
SHEET	SIZE	PART NUMBER	REV		
7 OF 7	D	VTDV4D215bCPA	01		
TOLERANCES: .XX=-.01 .XXX=-.005					