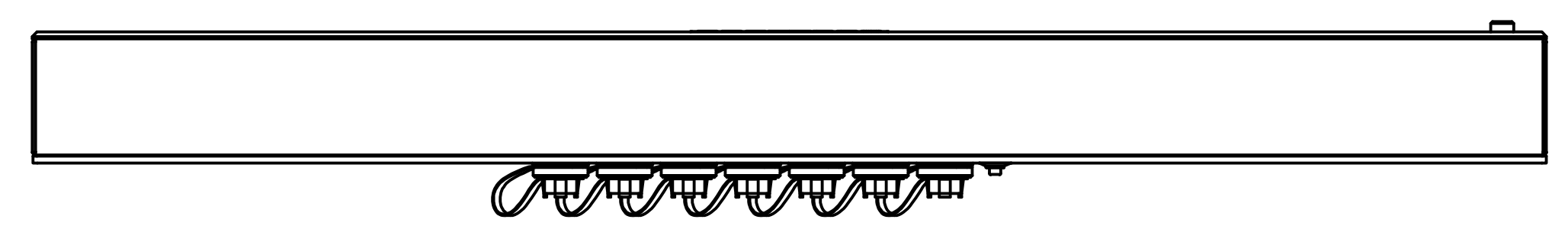
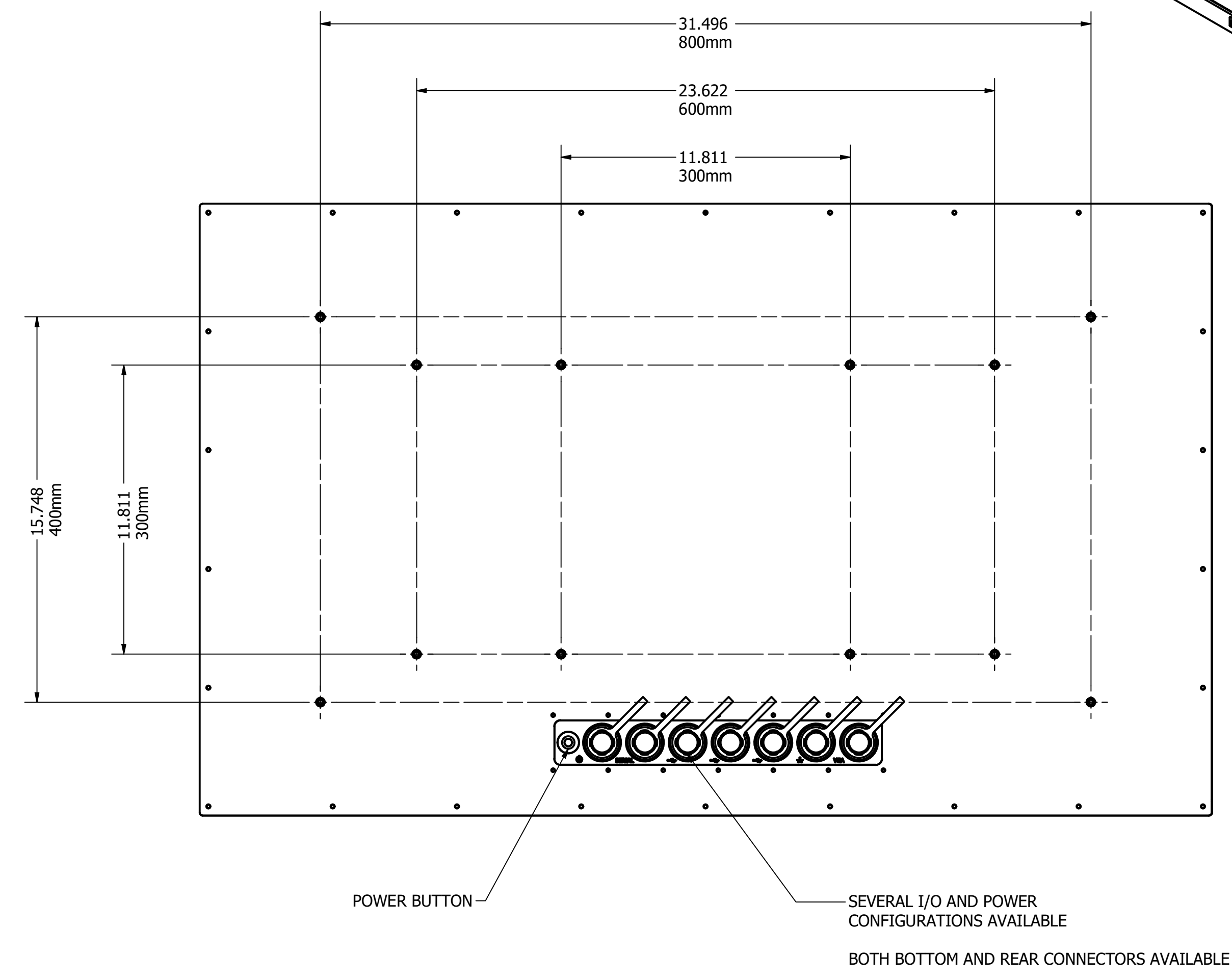
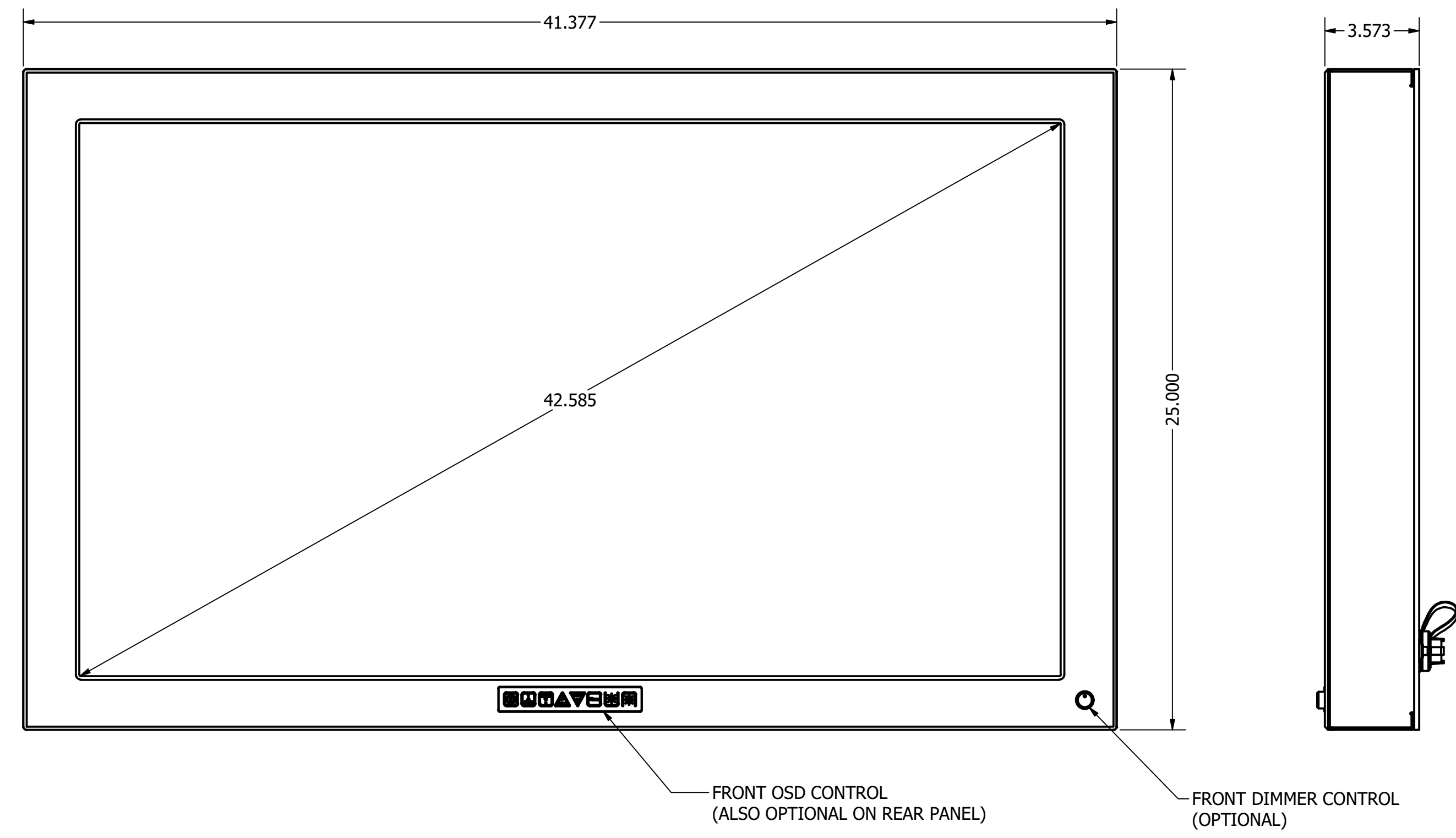
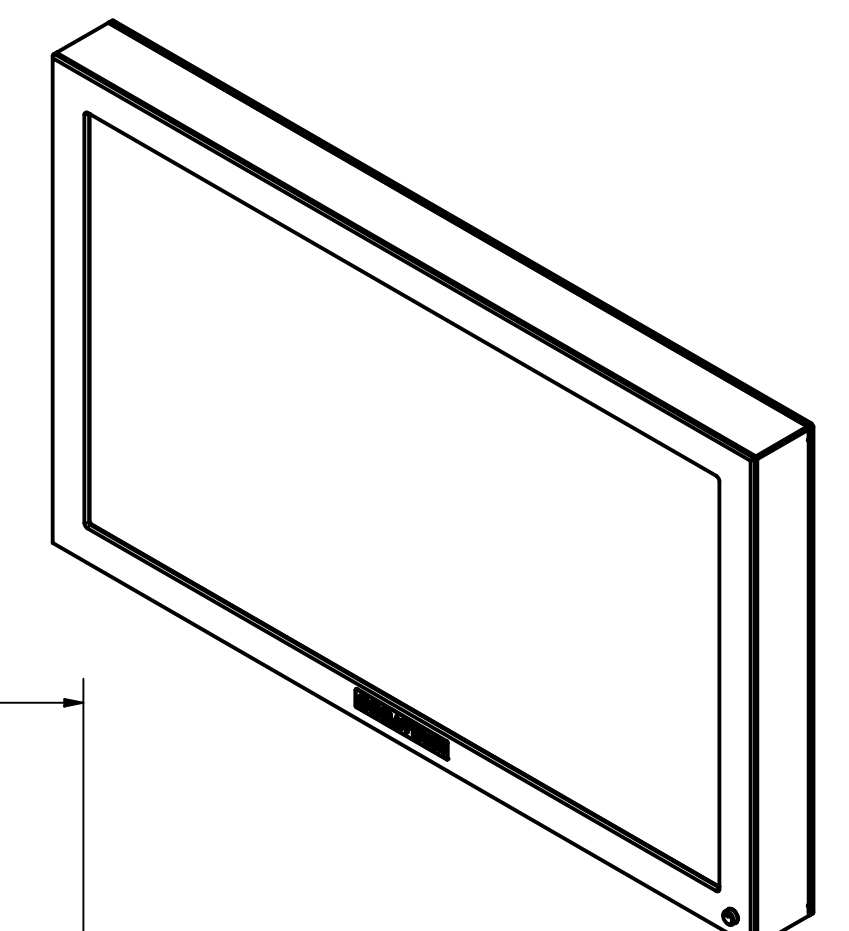


REVISION HISTORY			
REV	DATE	INITIALS	DESCRIPTION
0	8/6/19	TAK	RELEASED



NOTES:

DRAWN BY: TAK		4/29/2019		 VARTECH SYSTEMS INC.	
USE WITH PRODUCT NUMBER					
MATERIAL & FINISH				TITLE	
				OUTLINE DRAWING VT430VS3	
SHEET	SIZE	PART NUMBER	REV		
1 of 1	D	482-0736-001	0		
TOLERANCES: .XX=.01 .XXX=.005					
FILENAME & PATH: R:\Engineering\Old Projects\VT430VS3\VT430VS3.iam					