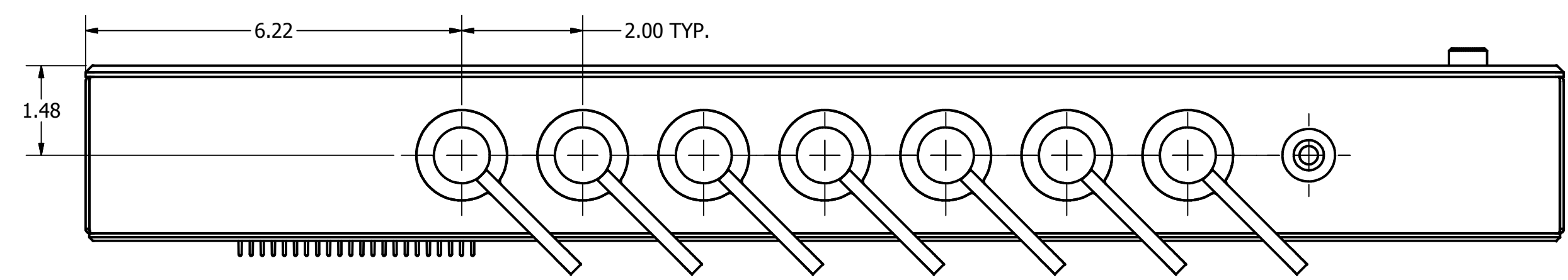
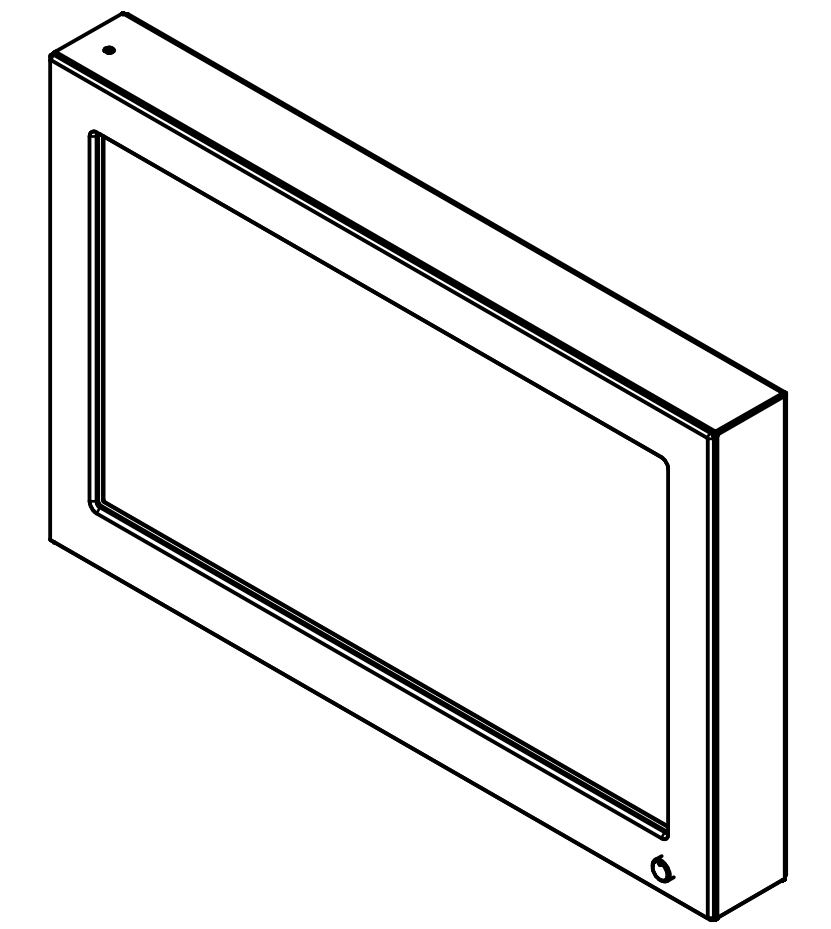
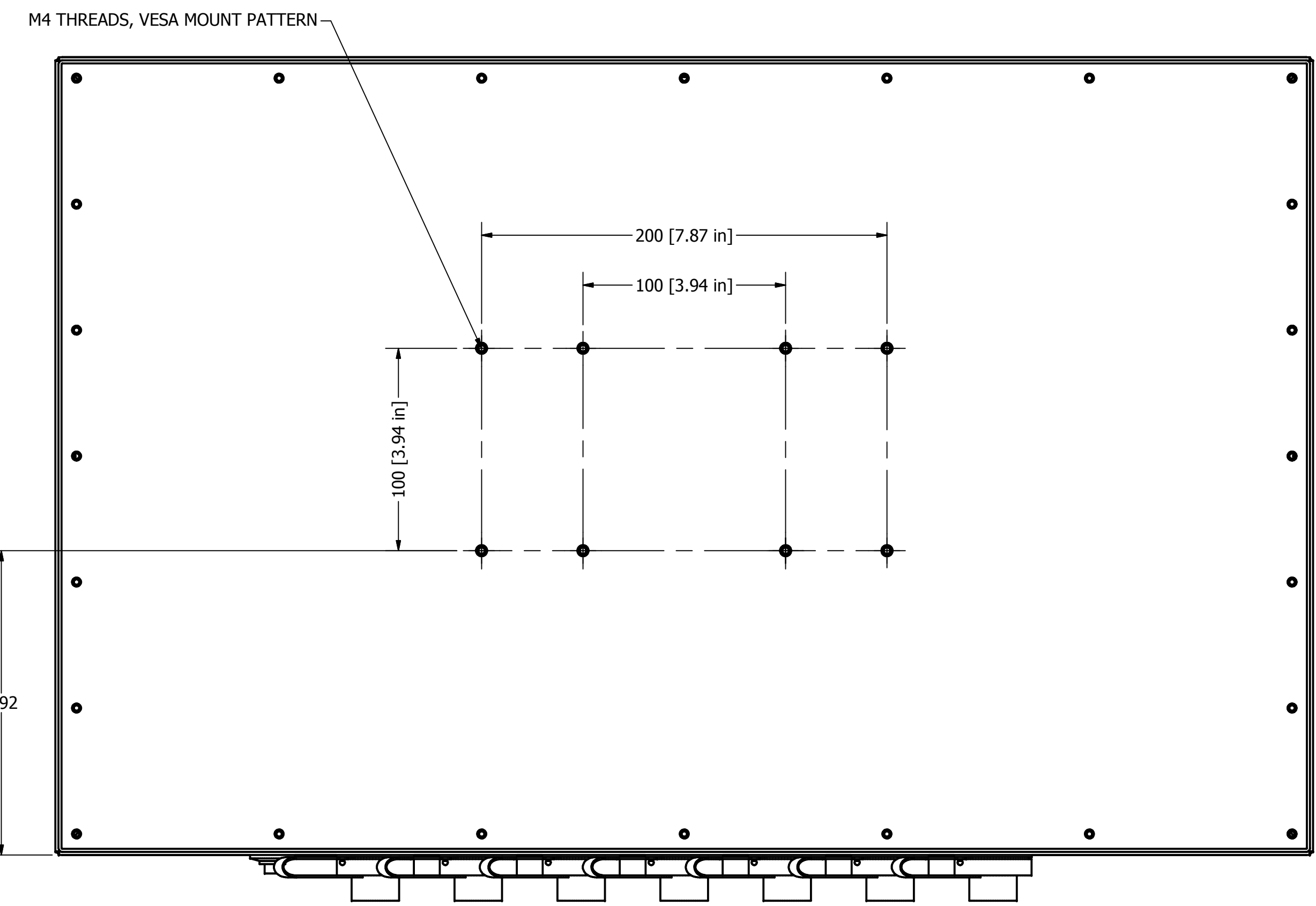
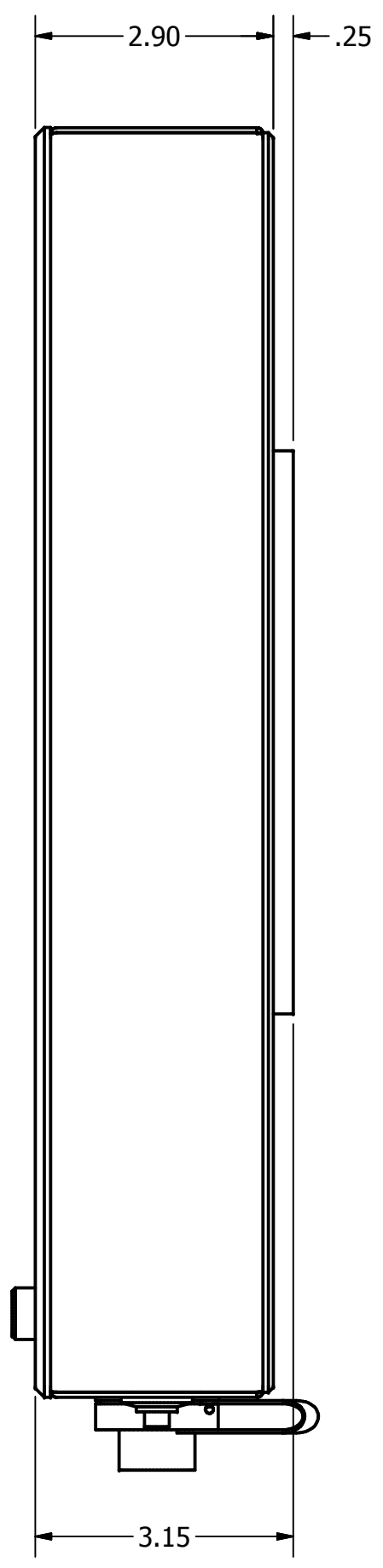
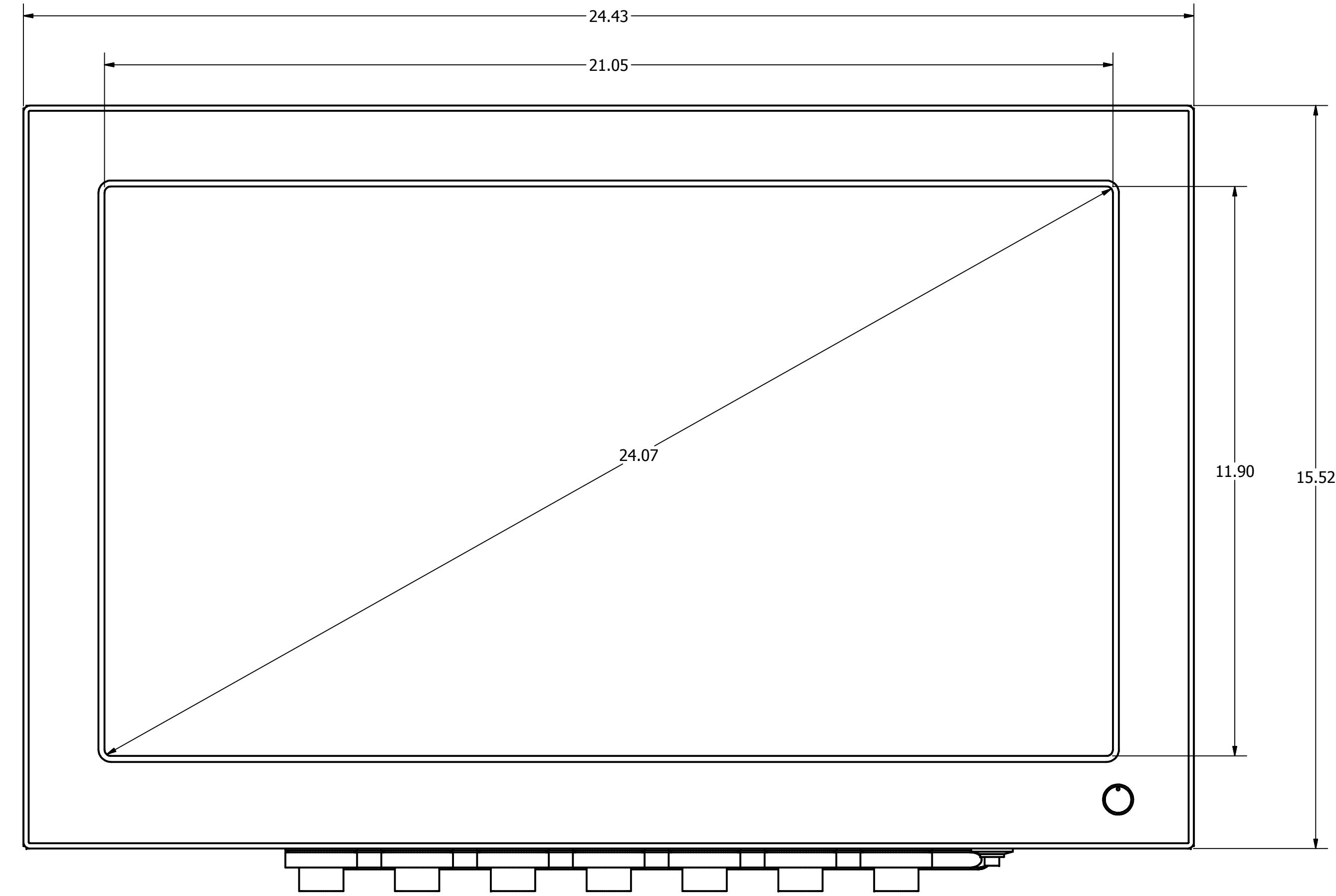


8 7 6 5 4 3 2 1



D  
C  
B  
A

D  
C  
B  
A

8 7 6 5 4 3

	DRAWN	cgray	5/28/2014	<b>VARTECH SYSTEMS</b>
	CHECKED			
	QA			
	MFG			
	APPROVED			TITLE
	USED ON	MATERIAL:		<b>OUTLINE DRAWING, VTPC240VSA</b>
APPLICATION				
	SIZE	TOLERANCES:	DWG NO	REV
	D	.XX = .01 .XXX = .005	482-0228-004-01	
	FINISH:			SHEET 1 OF 1