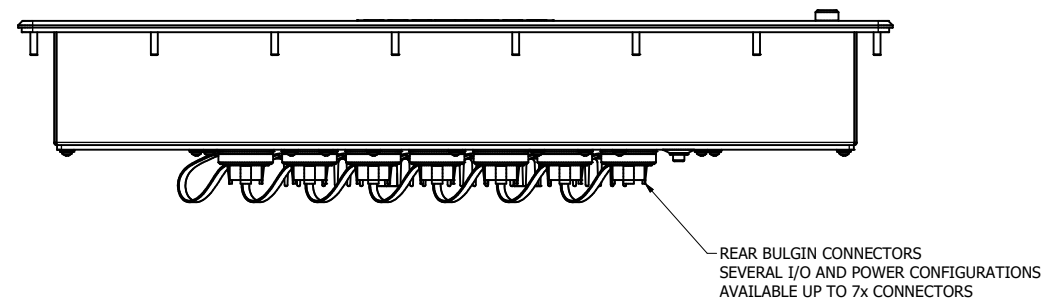
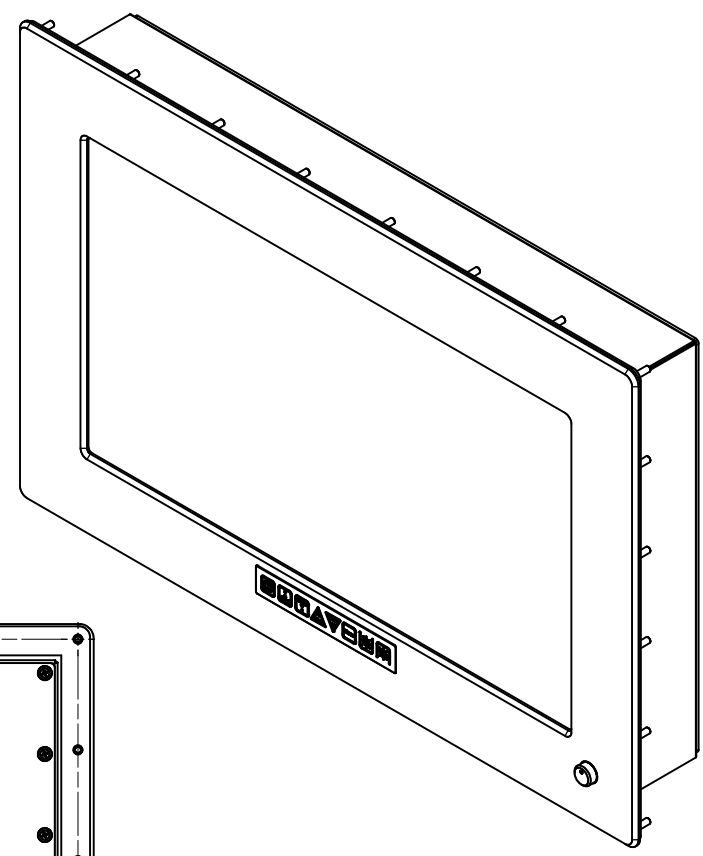
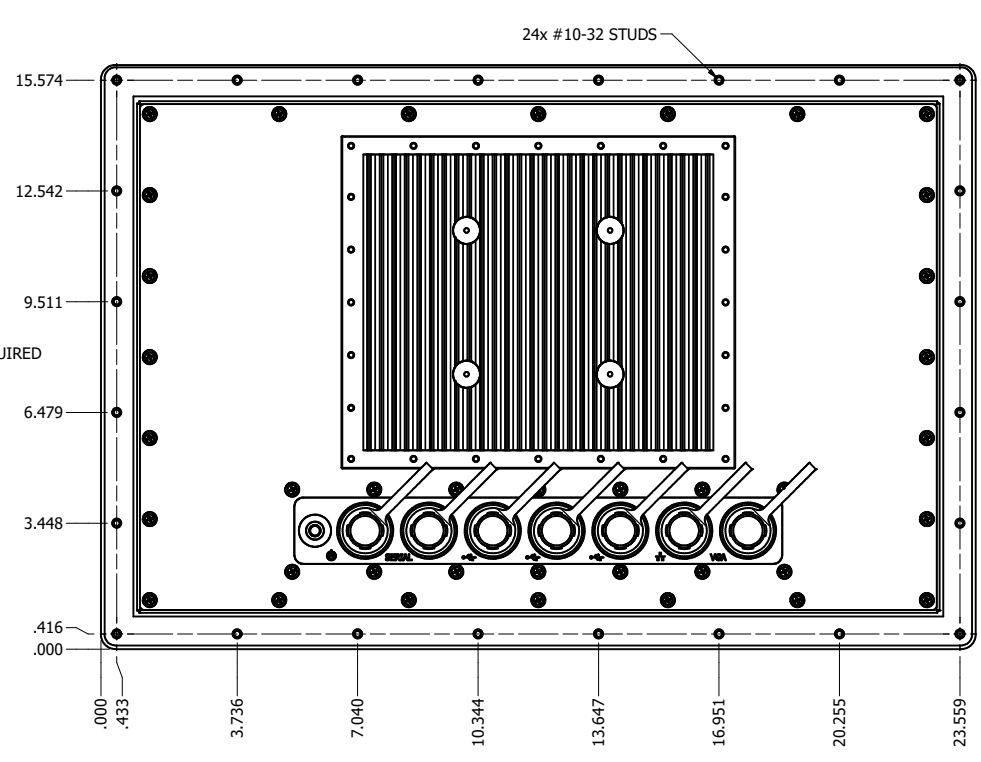
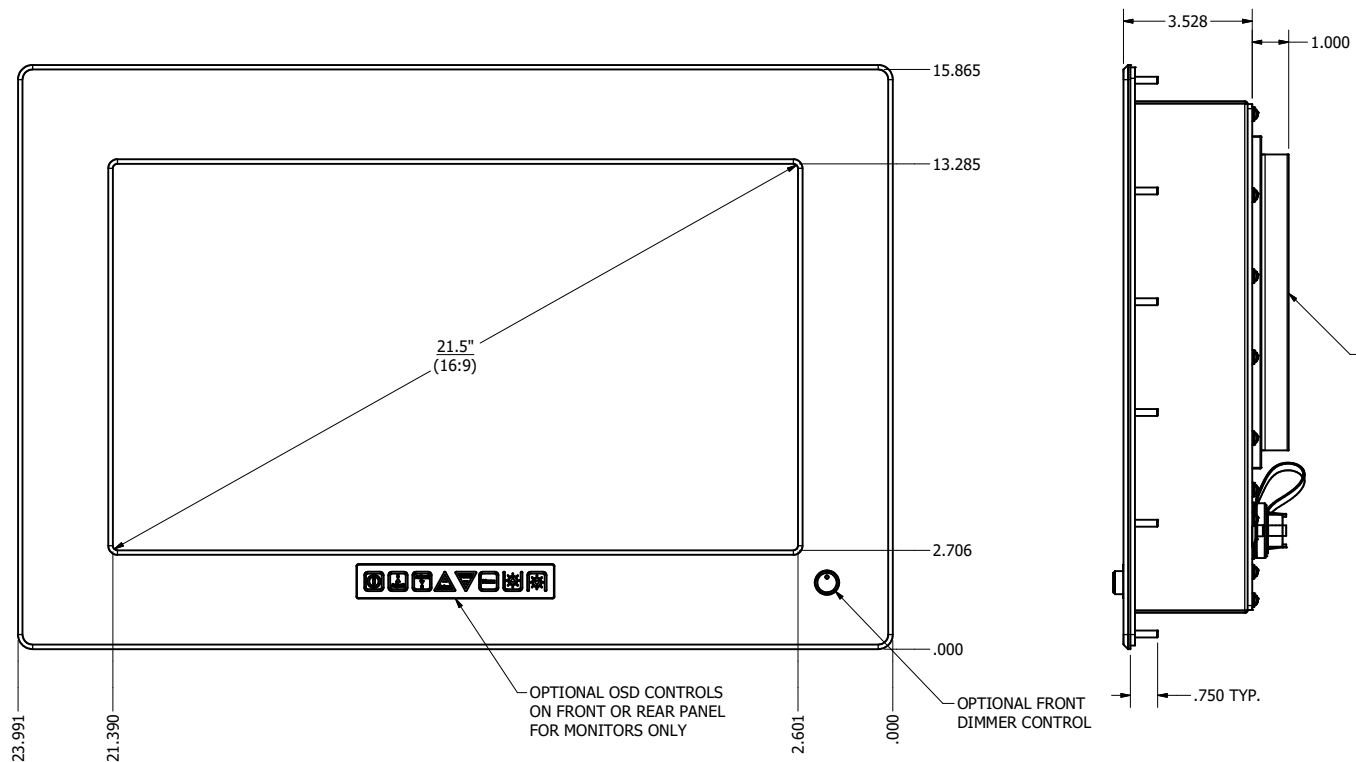


21.5" Panel MOUNT (Monitor or Computer)

REVISION HISTORY			
REV	DATE	INITIALS	DESCRIPTION
0	3/25/2021	maw	INITIAL RELEASE



DRAWN BY: mwitham		3/26/2021		 VARTECH SYSTEMS INC.
USE WITH PRODUCT NUMBER				
MATERIAL & FINISH				TITLE OUTLINE DRAWING TOUGH STATION - GEN 3
SHEET	SIZE	PART NUMBER	REV	
2 of 2	D	VTT3#215bPN#	0	
TOLERANCES: .XX=.01 .XXX=.005				