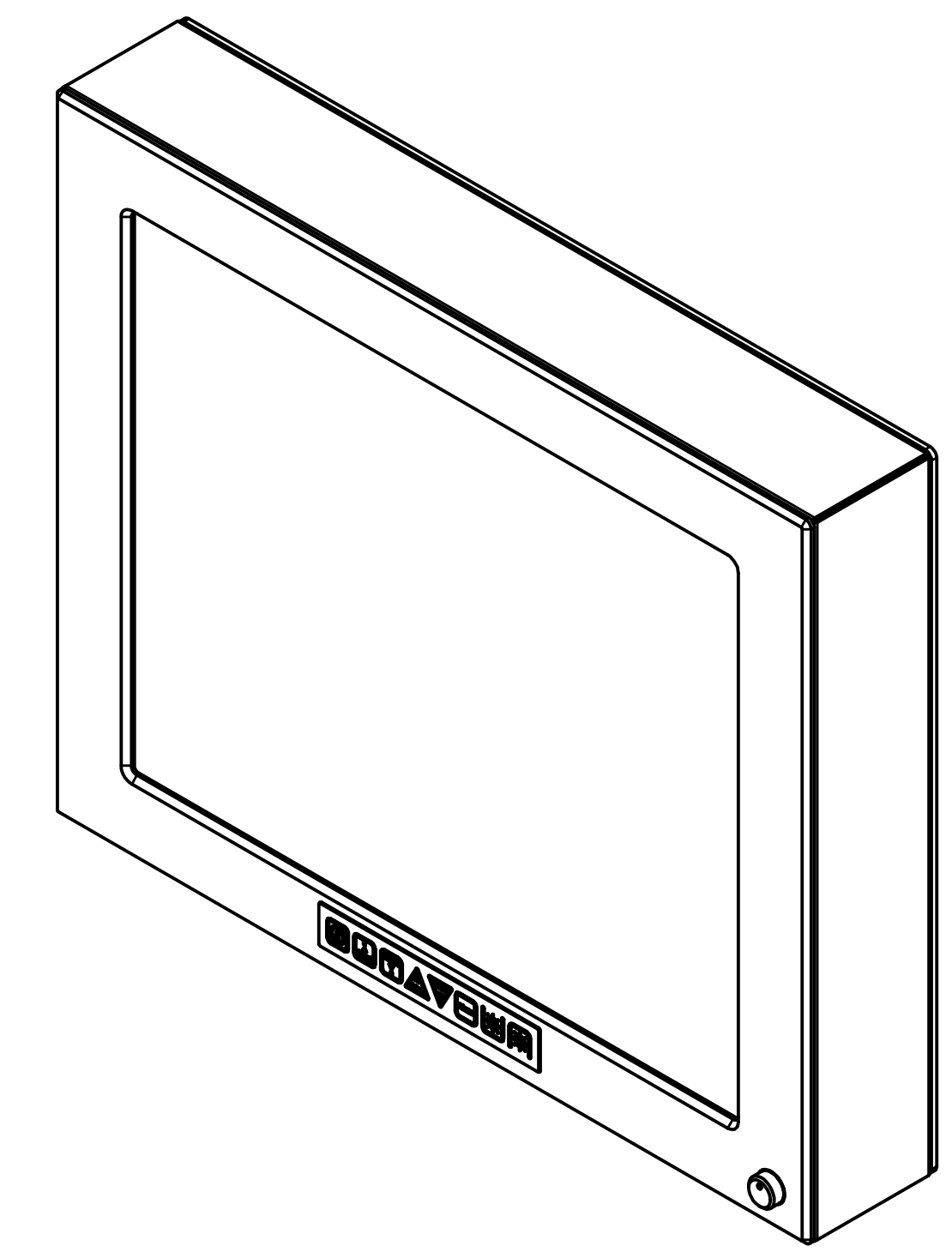
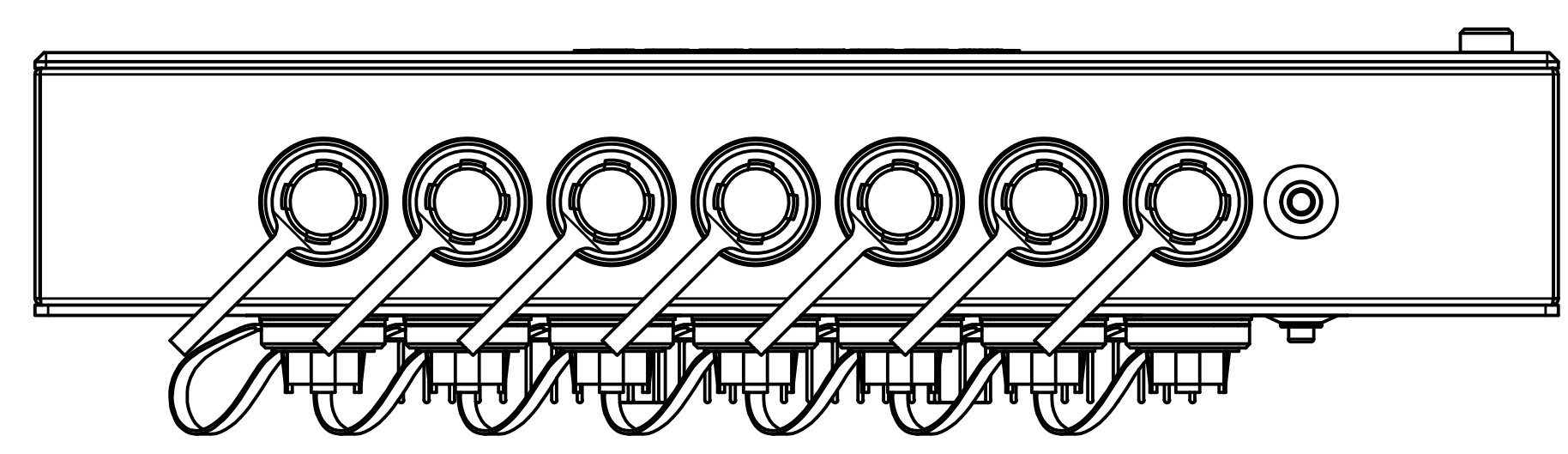
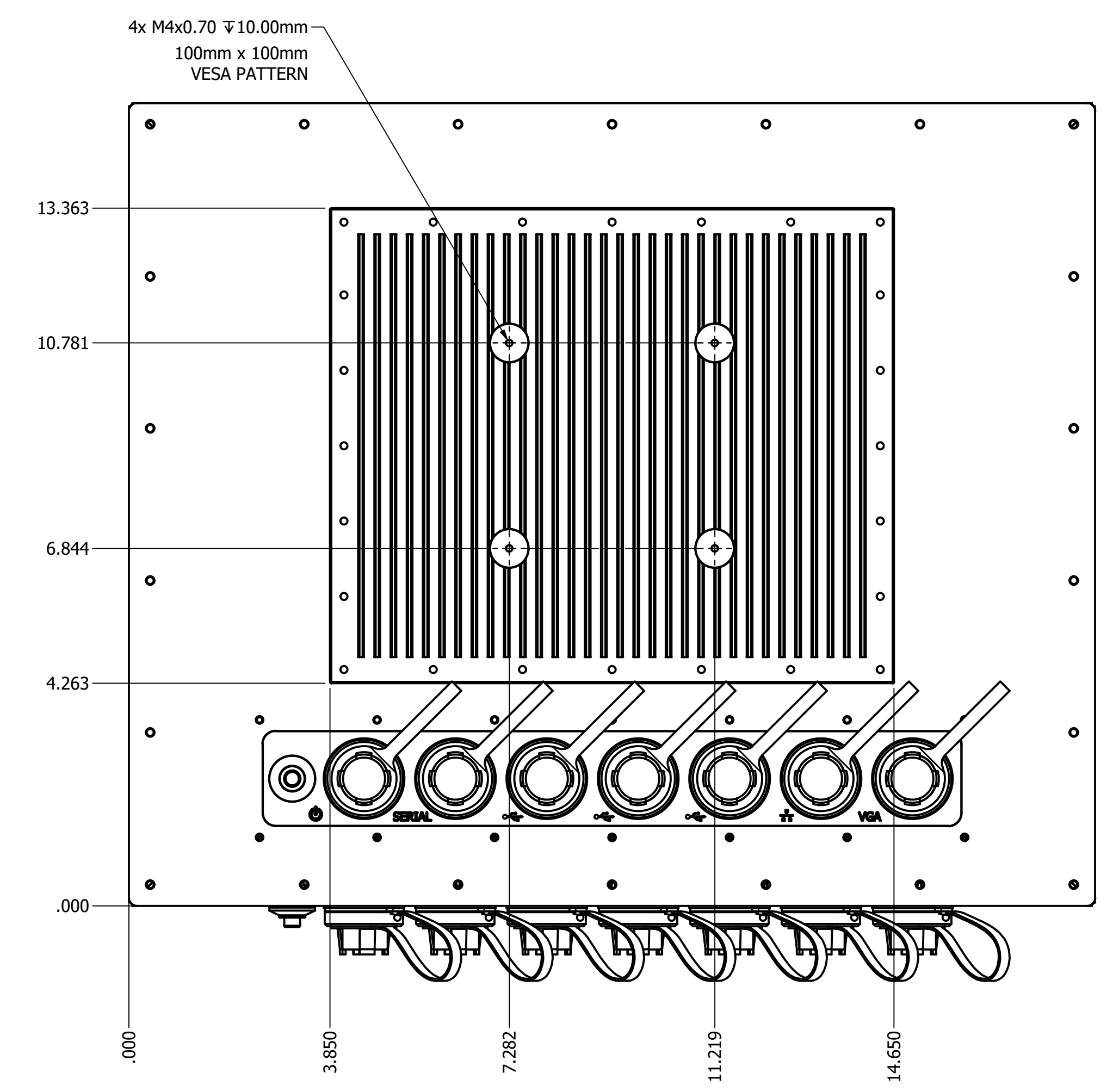
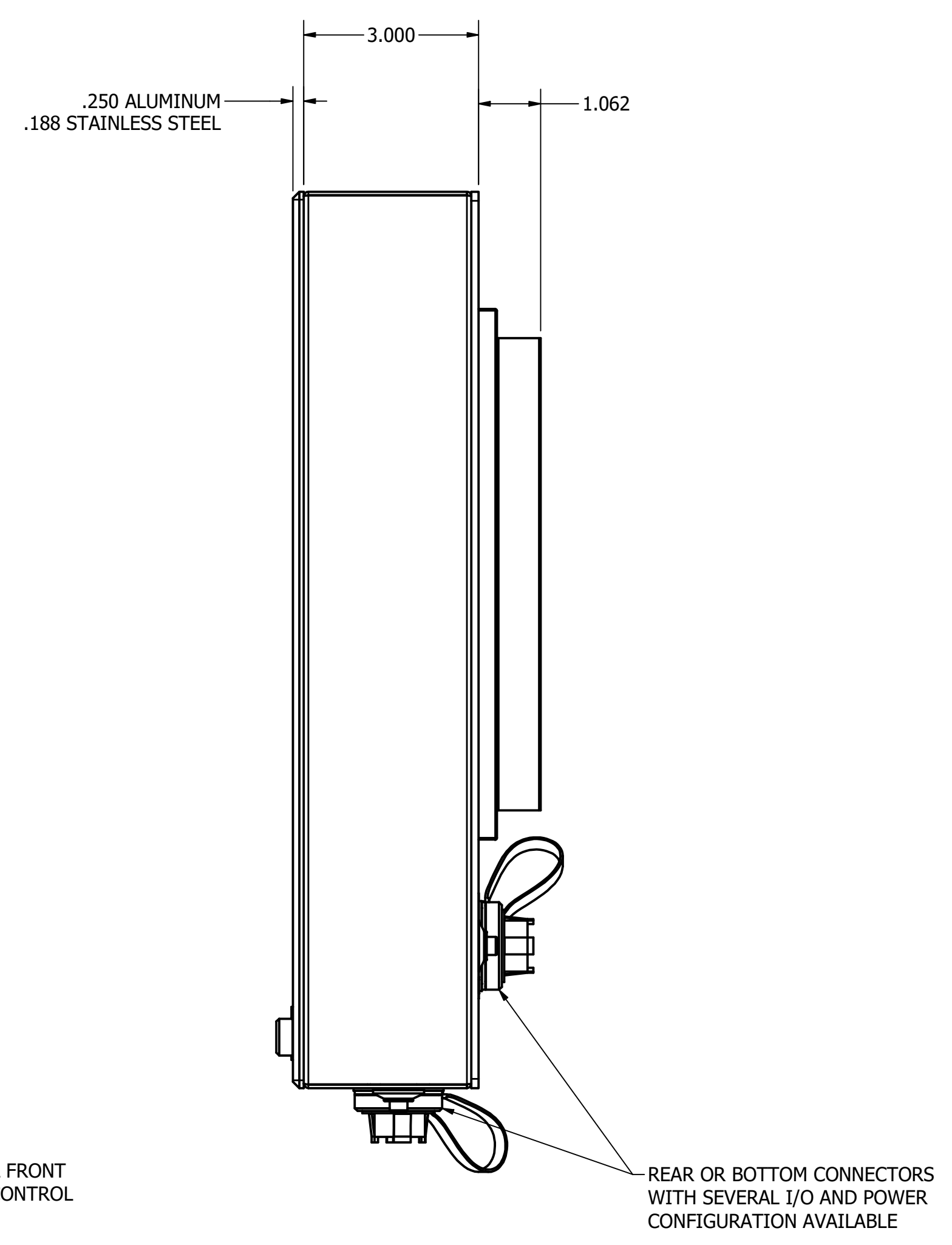
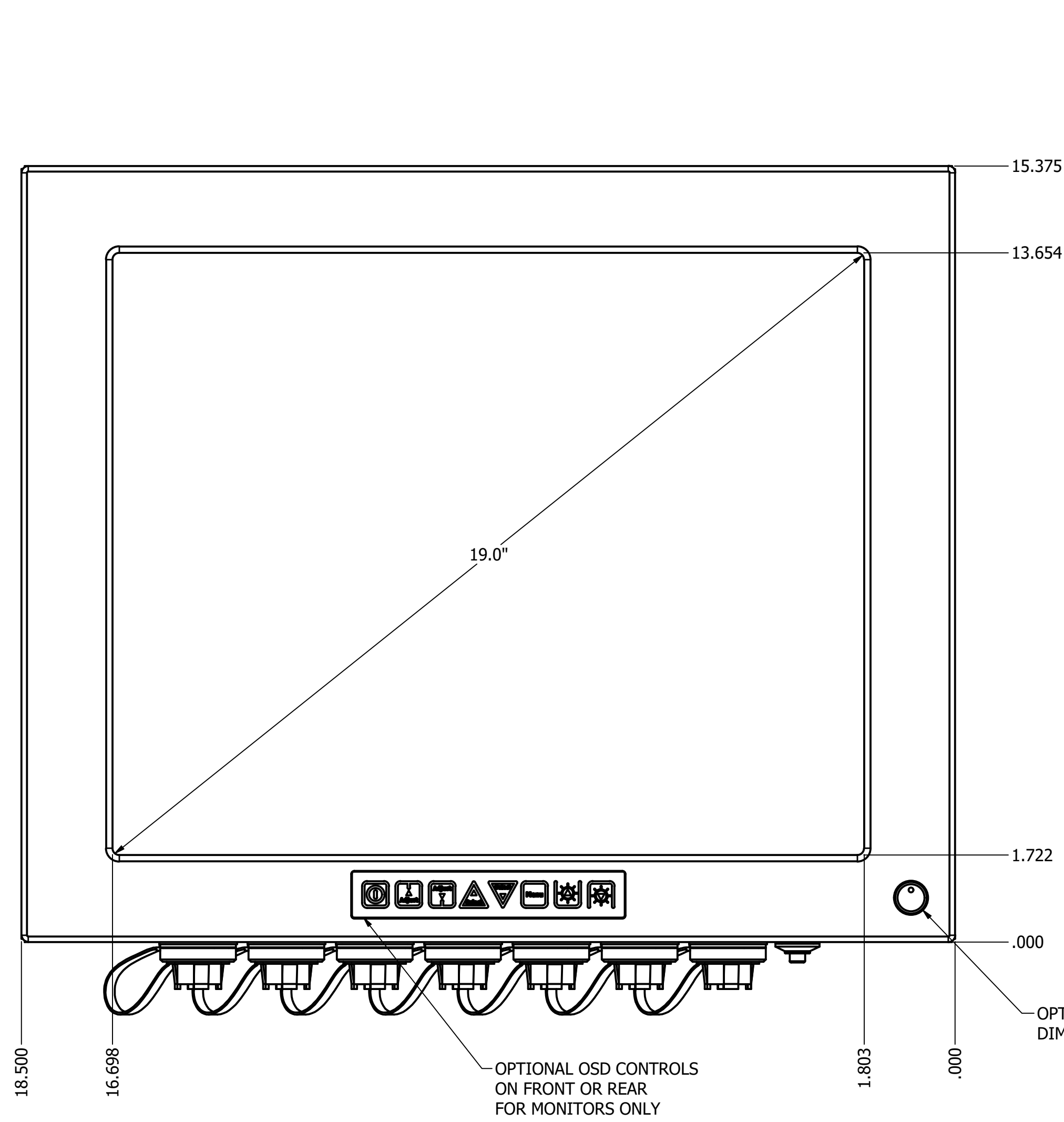


REVISION HISTORY			
REV	DATE	INITIALS	DESCRIPTION
00	12/13/19	MAW	RELEASED



NOTES:  
1.

DRAWN BY: mwitham		12/19/2019		 <b>VARTECH</b> SYSTEMS INC.	
USE WITH PRODUCT NUMBER					
MATERIAL & FINISH				FE3 OUTLINE DRAWING 19.0 VESA PATTERN	
SHEET	SIZE	PART NUMBER	REV		
1 of 1	D	482-0768-001	00		
TOLERANCES: .XX=.01 .XXX=.005					