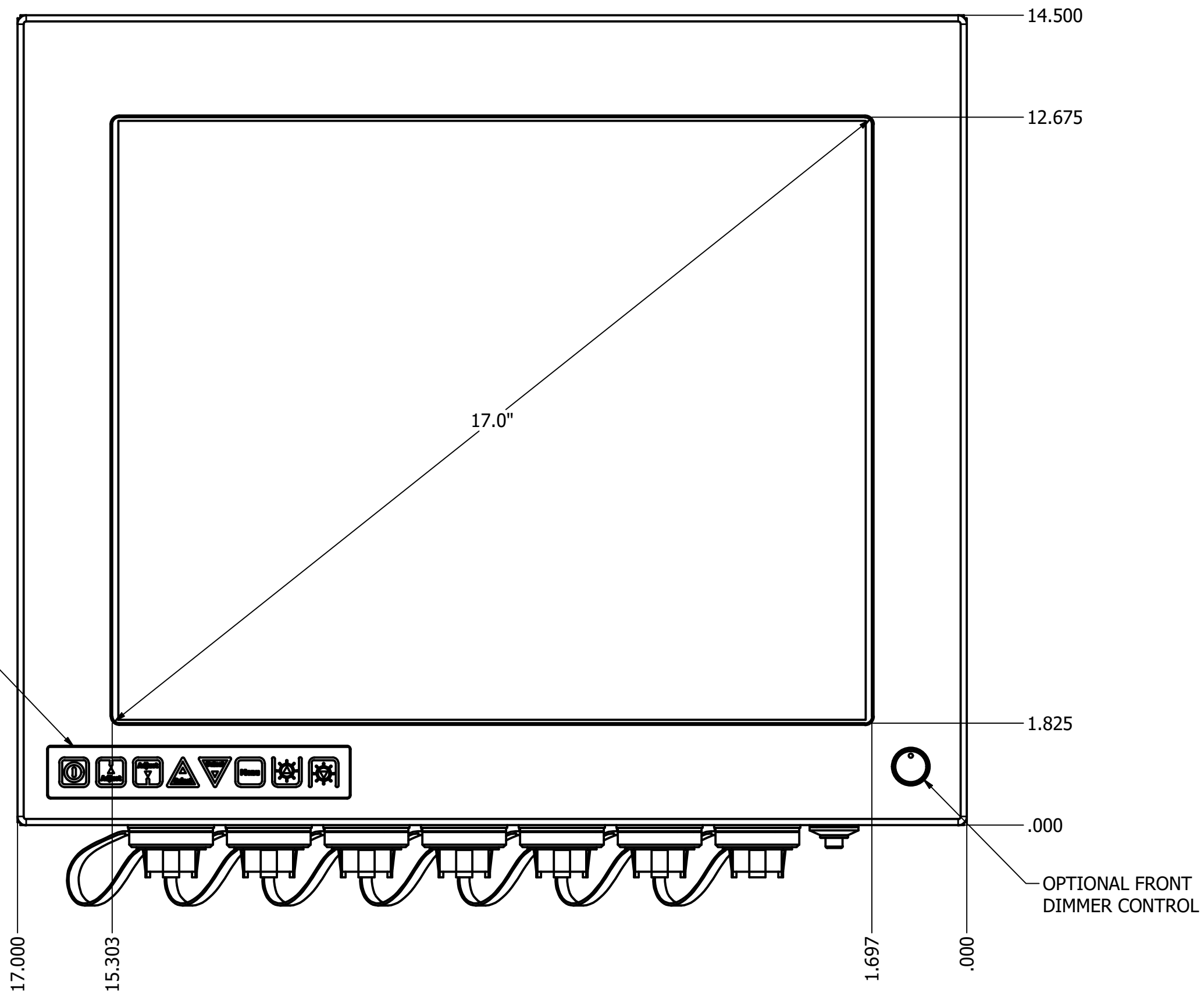
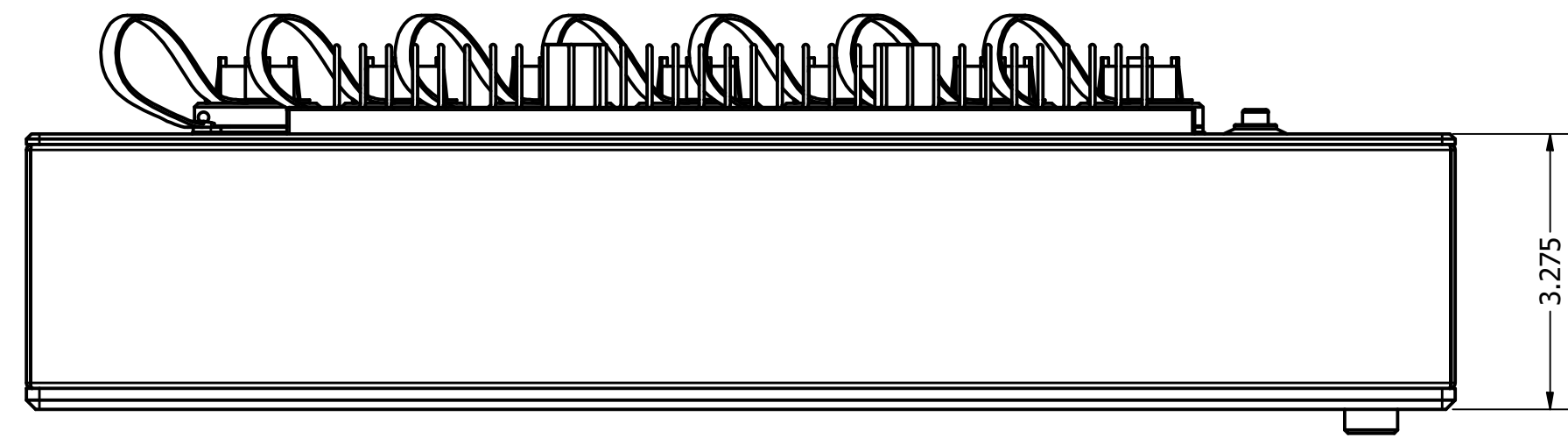


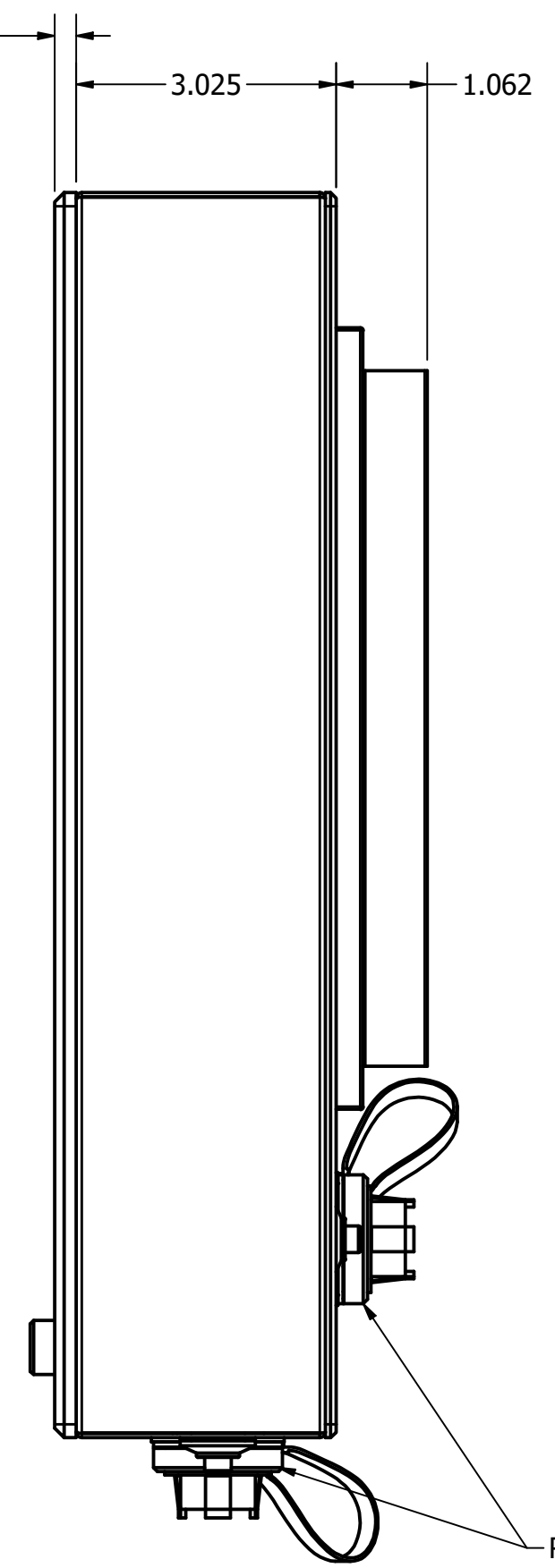
REVISION HISTORY			
REV	DATE	INITIALS	DESCRIPTION
00	12/11/19	MAW	RELEASED



OPTIONAL OSD CONTROLS
ON FRONT OR REAR
FOR MONITORS ONLY

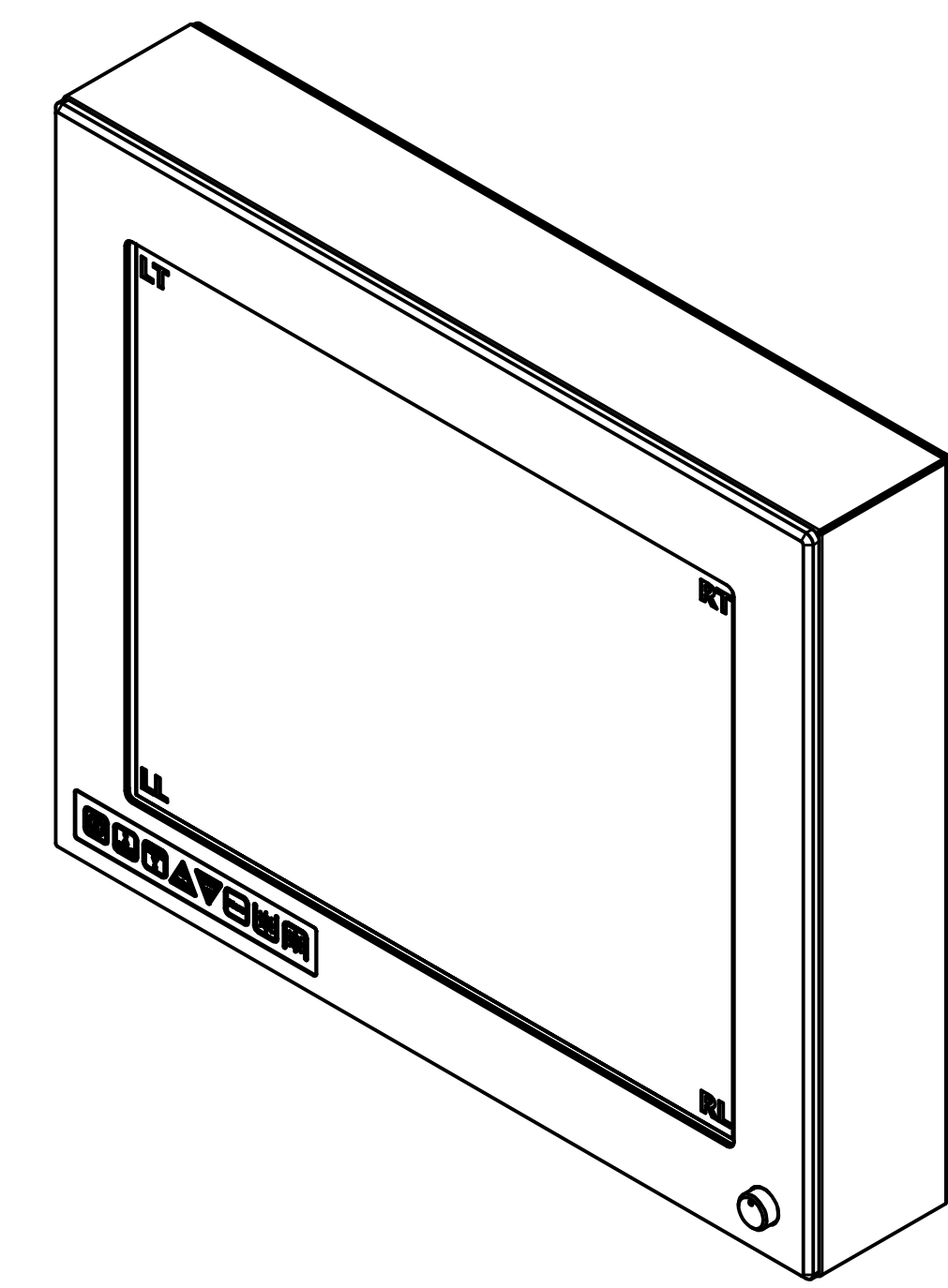
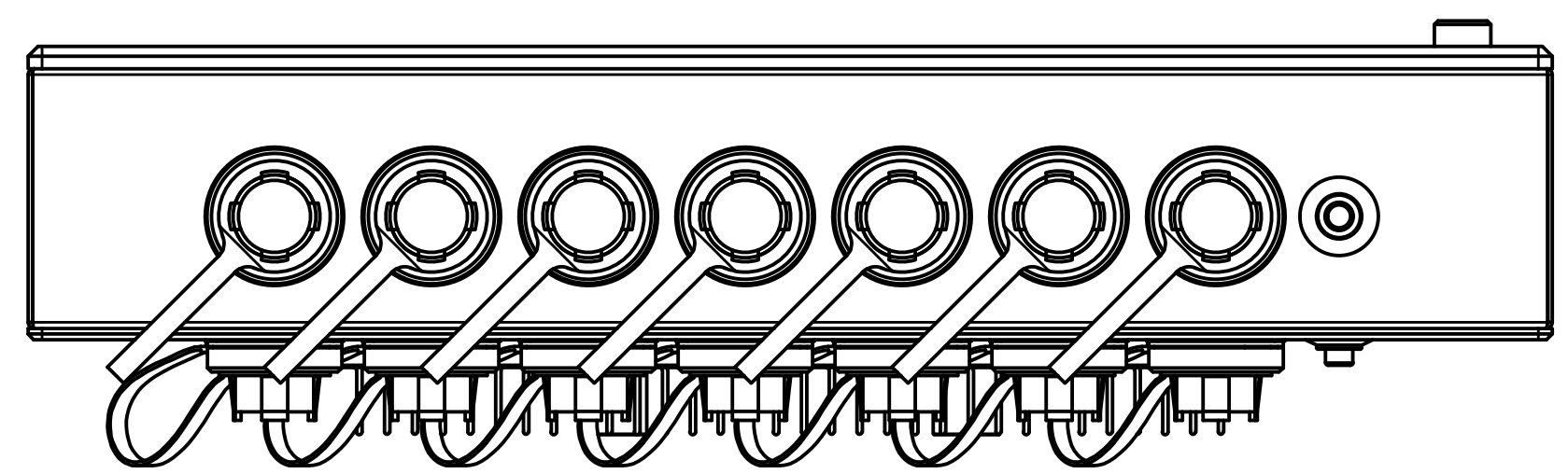
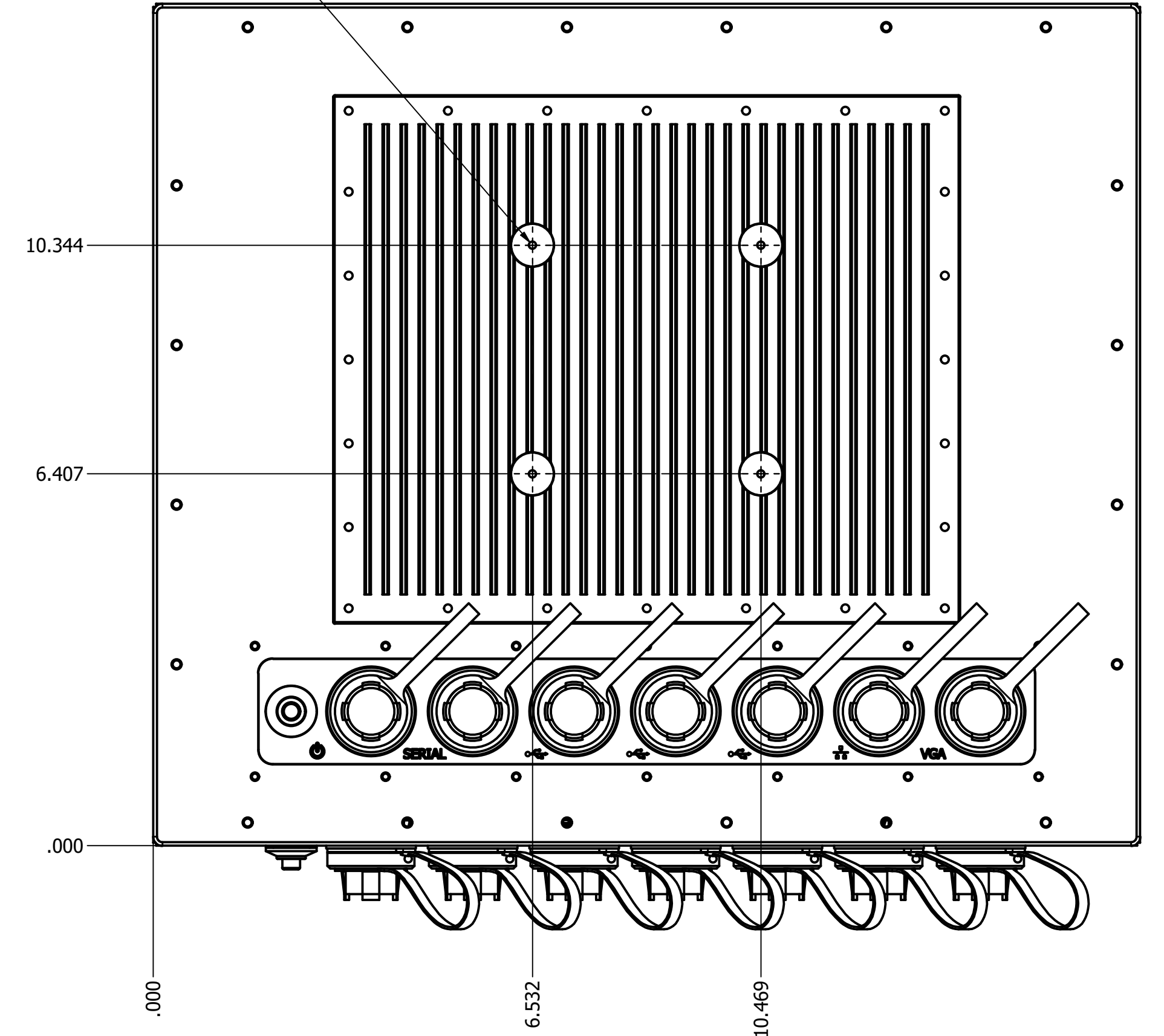
OPTIONAL FRONT
DIMMER CONTROL

.250 ALUMINUM
.188 STAINLESS STEEL



REAR OR BOTTOM CONNECTORS
WITH SEVERAL I/O AND POWER
CONFIGURATIONS AVAILABLE

4x M4x.70 \varnothing 10.00mm
100mm x 100mm
VESA PATTERN



NOTES:
1.

DRAWN BY: mwitham		10/29/2018		 VARTECH SYSTEMS INC.	
USE WITH PRODUCT NUMBER					
MATERIAL & FINISH				FE3 OUTLINE DRAWING 17.0 VESA MOUNT	
SHEET	SIZE	PART NUMBER	REV		
1 of 1	D	482-0766-001	00		
TOLERANCES: .XX=-.01 .XXX=-.005					
FILENAME & PATH: Z:\Engineering\VT Numbers Purchased\482-XXXX-00 (Outline Dwgs)\482-0766-00 (VTPC170V53)\482-0766-001-00.iam					