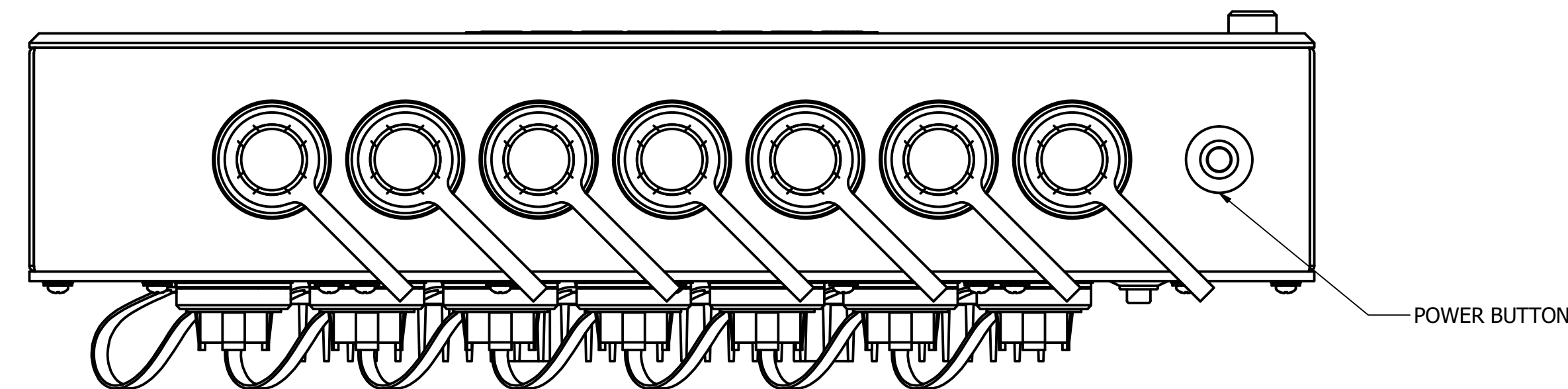
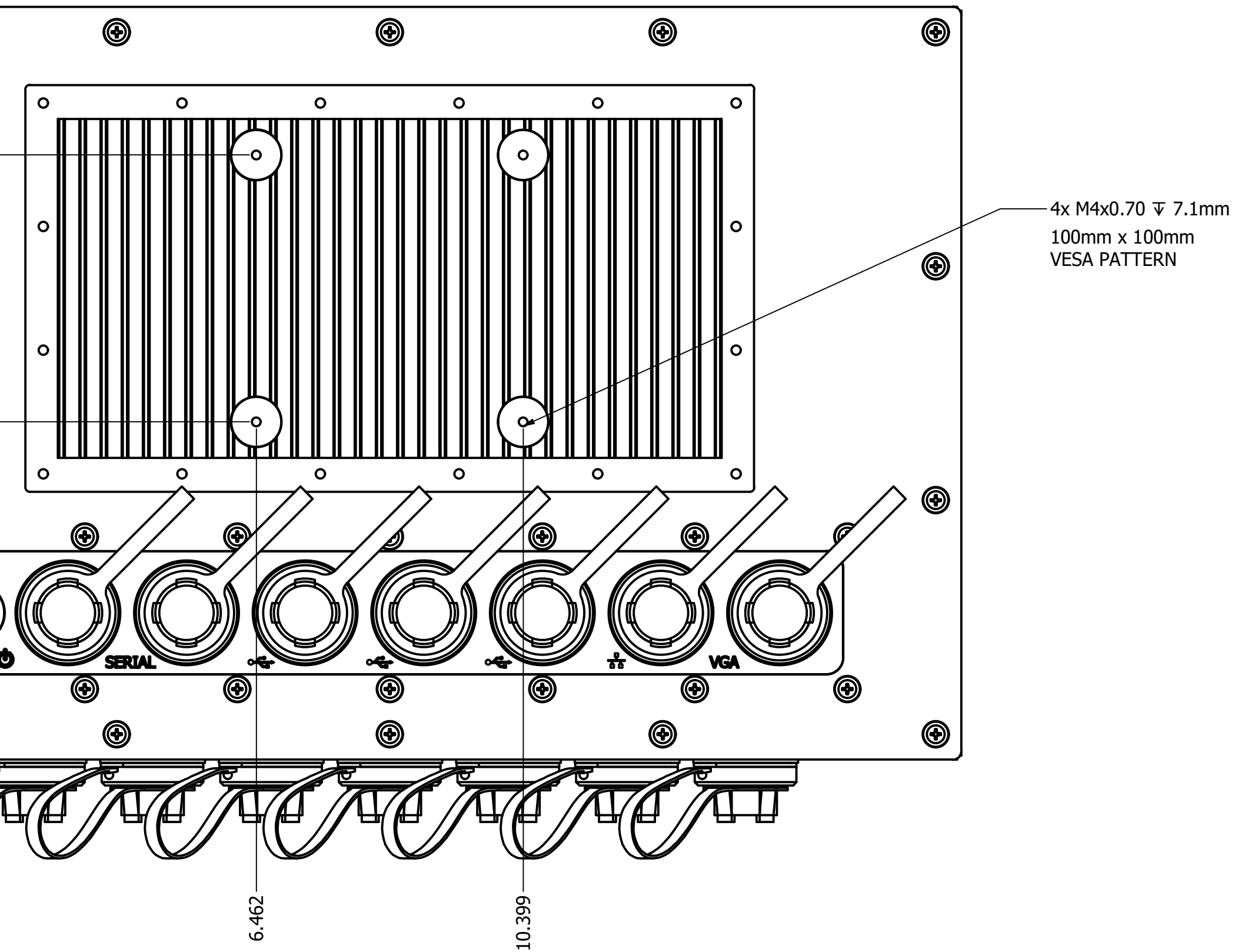
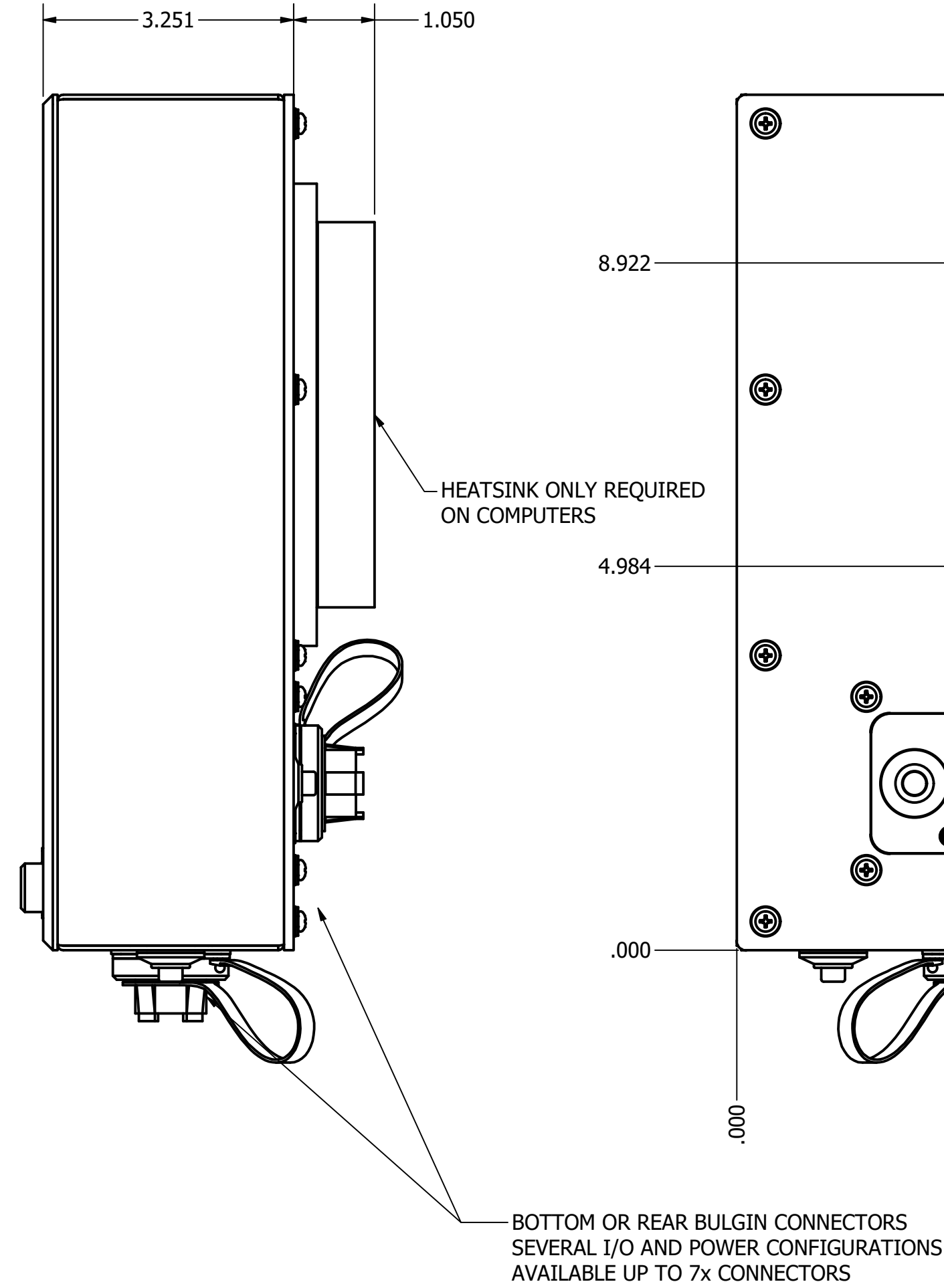
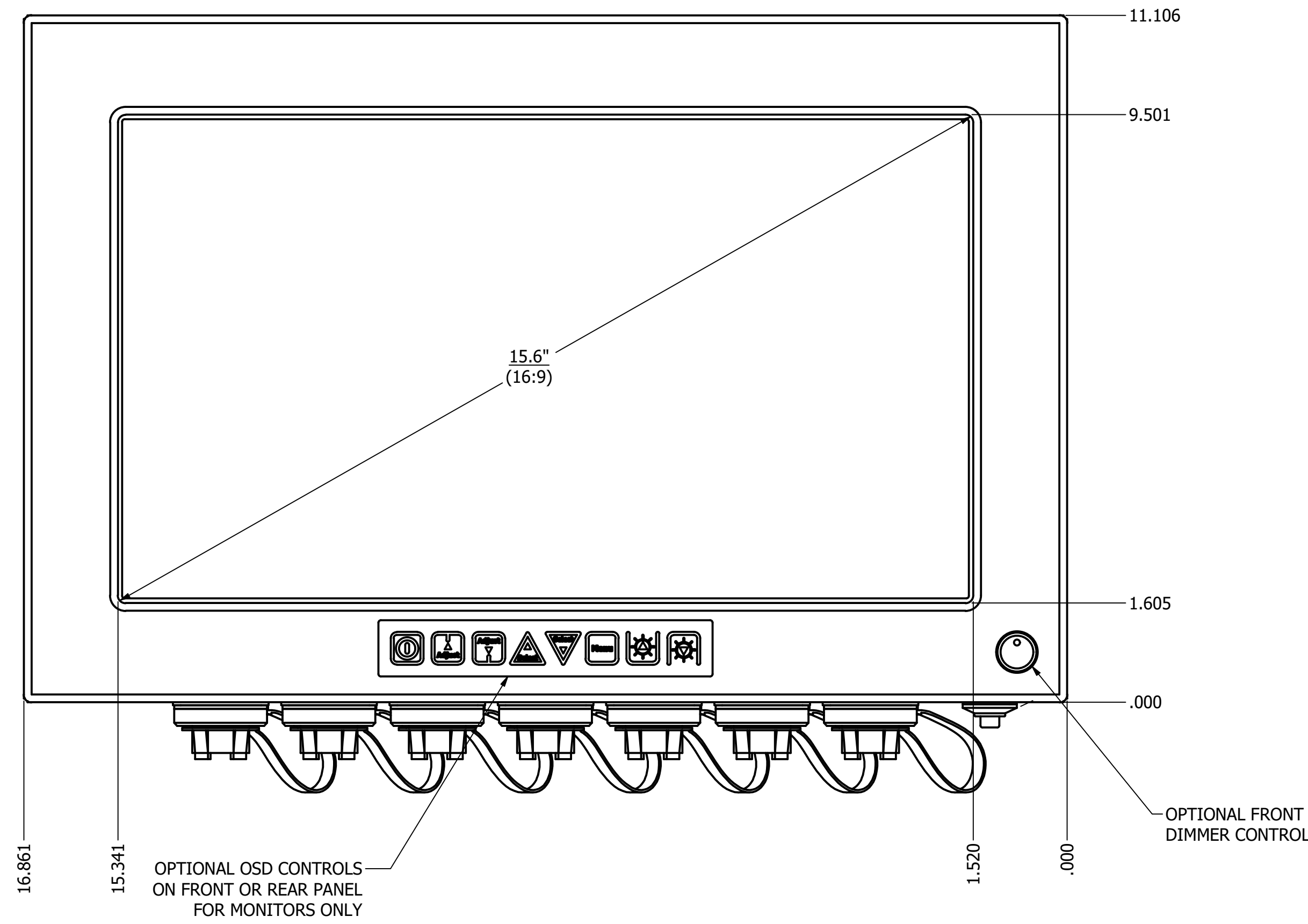
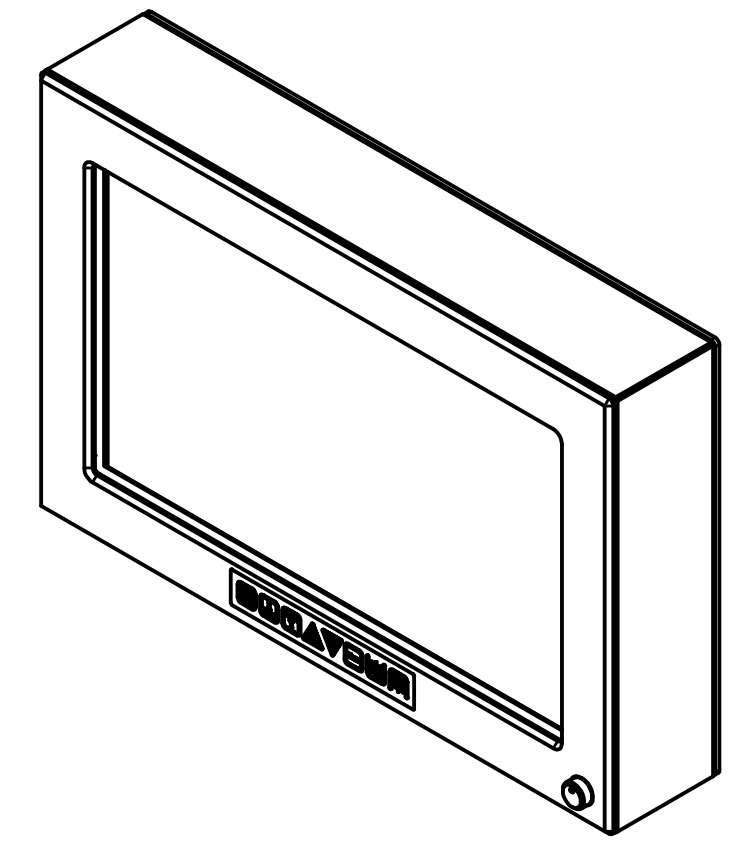


15.6" VESA MOUNT (Monitor or Computer)

PRELIMINARY DRAWING
DIMENSIONS ARE SUBJECT TO CHANGE

REVISION HISTORY			
REV	DATE	INITIALS	DESCRIPTION
00	11/9/2020	TAK	RELEASED
01	11/19/2020	TAK	UPDATED TITLE BLOCK



NOTES:
1.

DRAWN BY: TAK		11/9/2020		 VARTECH SYSTEMS INC.
USE WITH PRODUCT NUMBER				
QUOTE NUMBER				TITLE OUTLINE DRAWING TOUGH STATION - GEN 3
SHEET	SIZE	PART NUMBER	REV	
1 of 1	D	VTTS3#156aVE#	01	
TOLERANCES: .XX=.01 .XXX=.005				