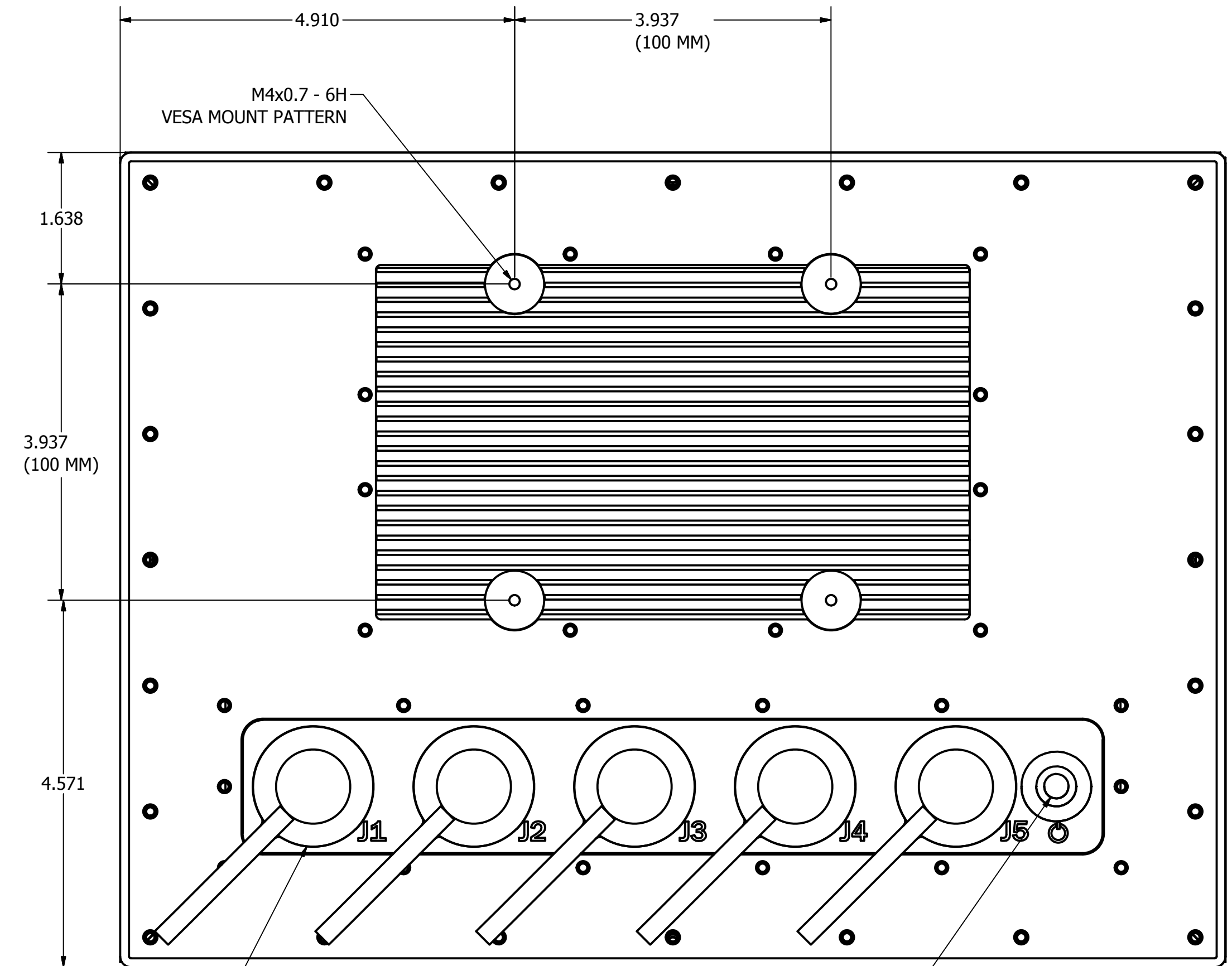
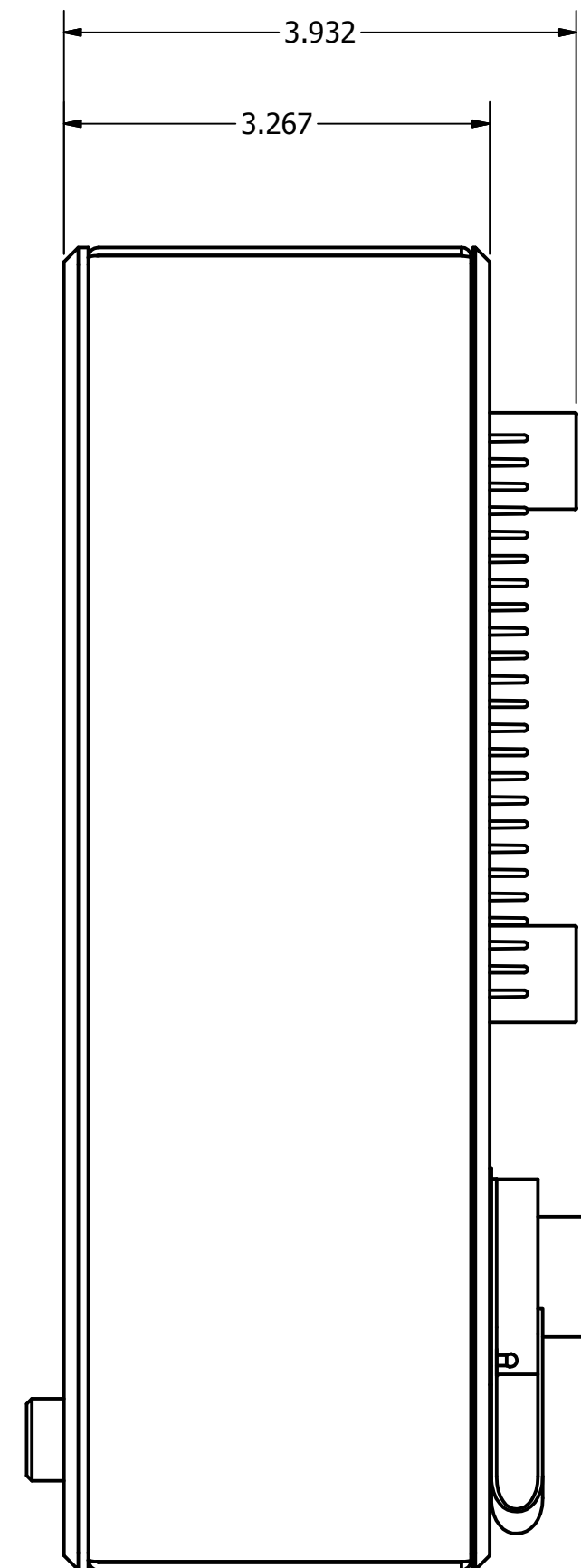
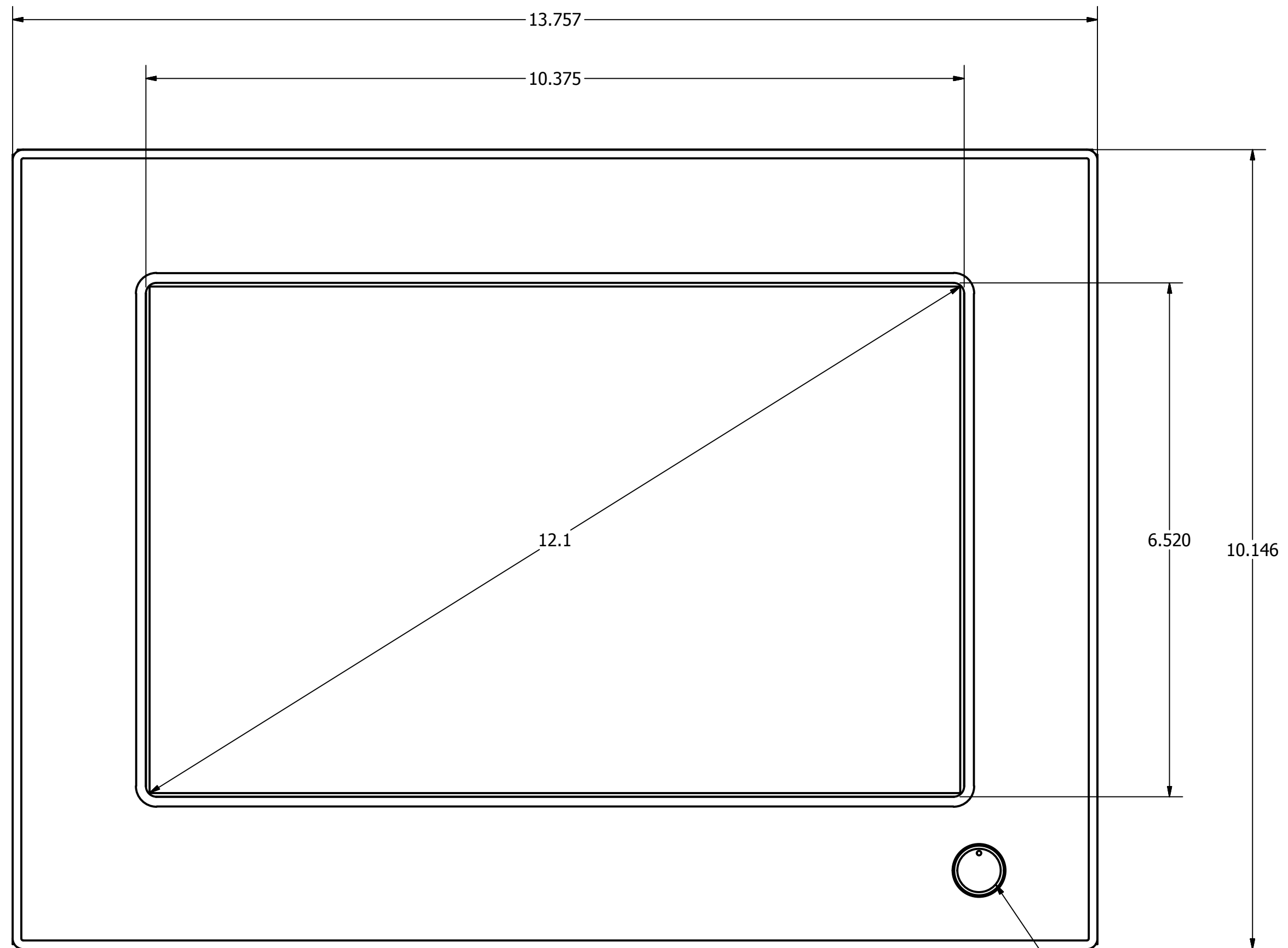
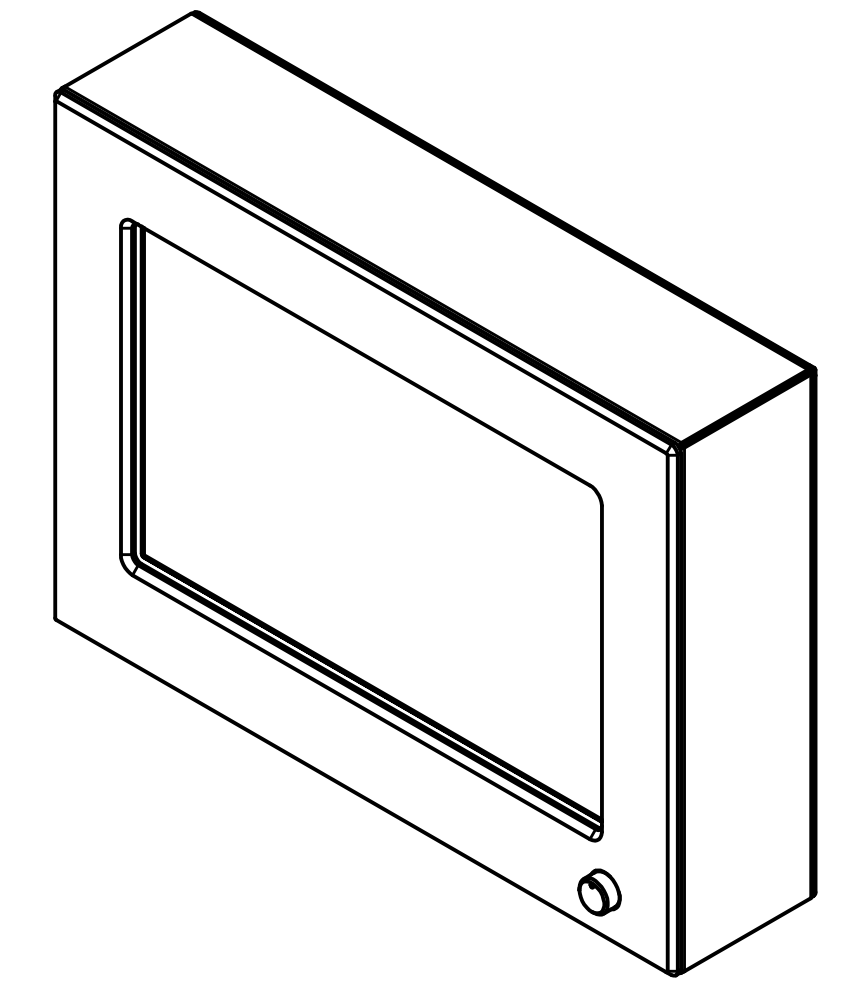
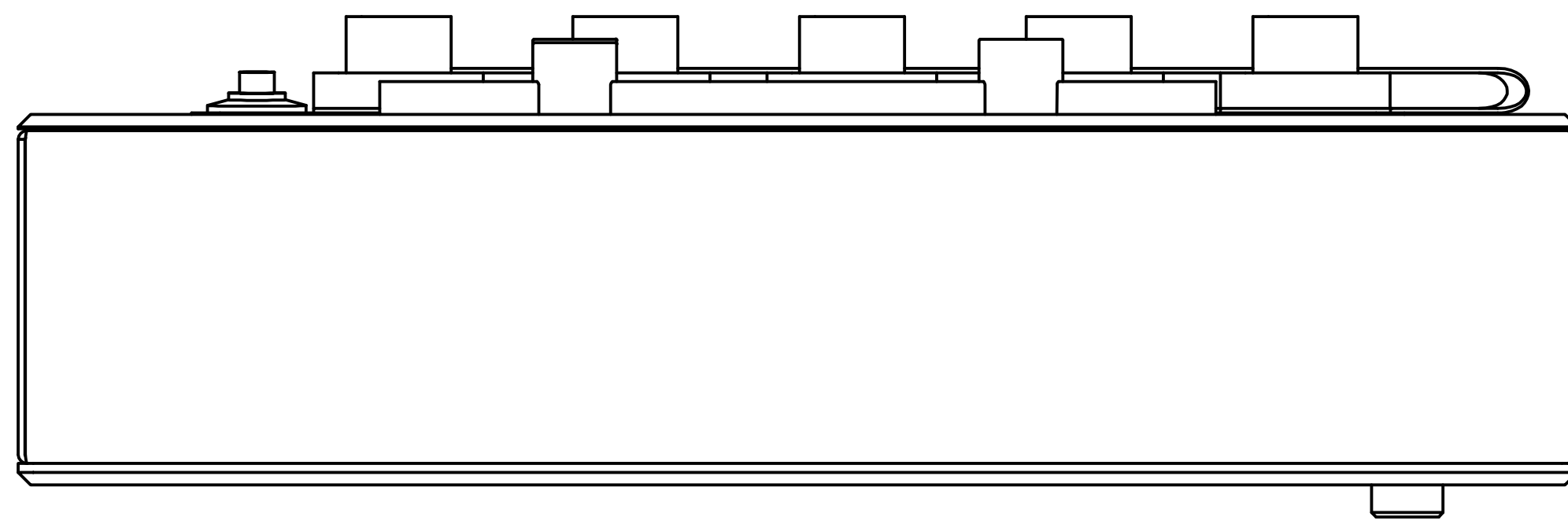


REVISION HISTORY			
REV	DESCRIPTION	APPROVED	DATE
0	RELEASED	CDPELL	10/24/2015



FRONT DIMMER SWITCH

BULGIN CONNECTORS

POWER BUTTON

DRAWN	cpell	8/4/2014	 VARTECH SYSTEMS			
CHECKED						
QA			TITLE			
MFG			OUTLINE DRAWING, VTPC121WVHB4			
APPROVED			SIZE	TOLERANCES:	DWG NO	REV
USED ON	MATERIAL:		D	.XX = .01 .XXX = .005	482-0276-001-00	0
APPLICATION			FINISH:			SHEET 1 OF 1