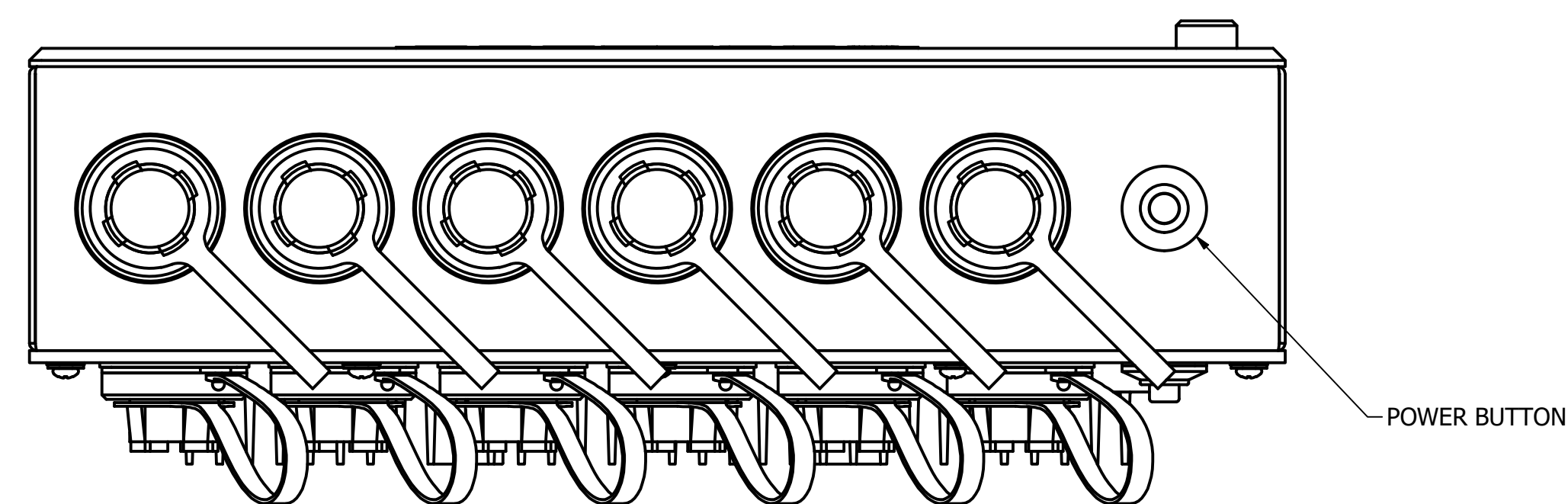
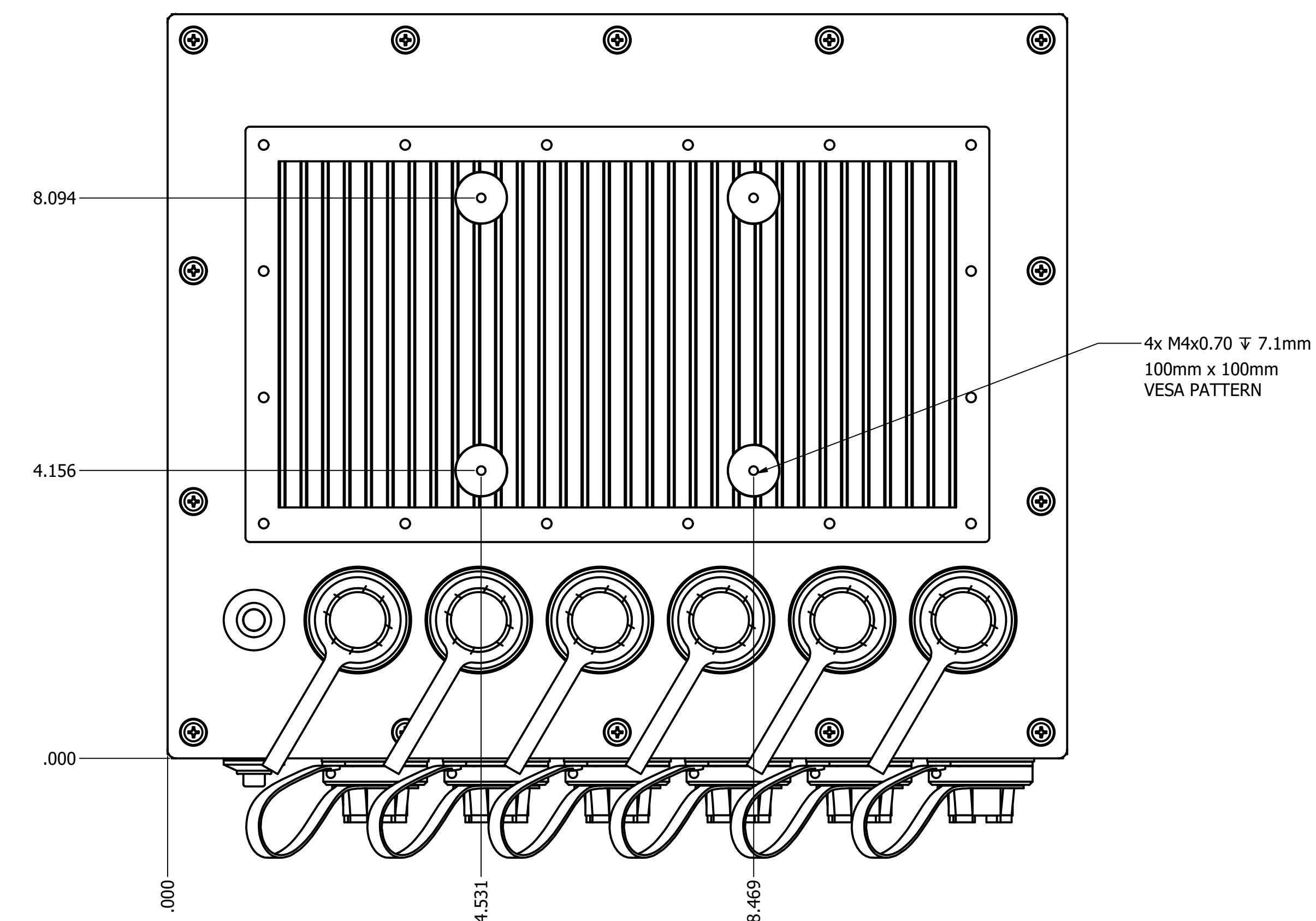
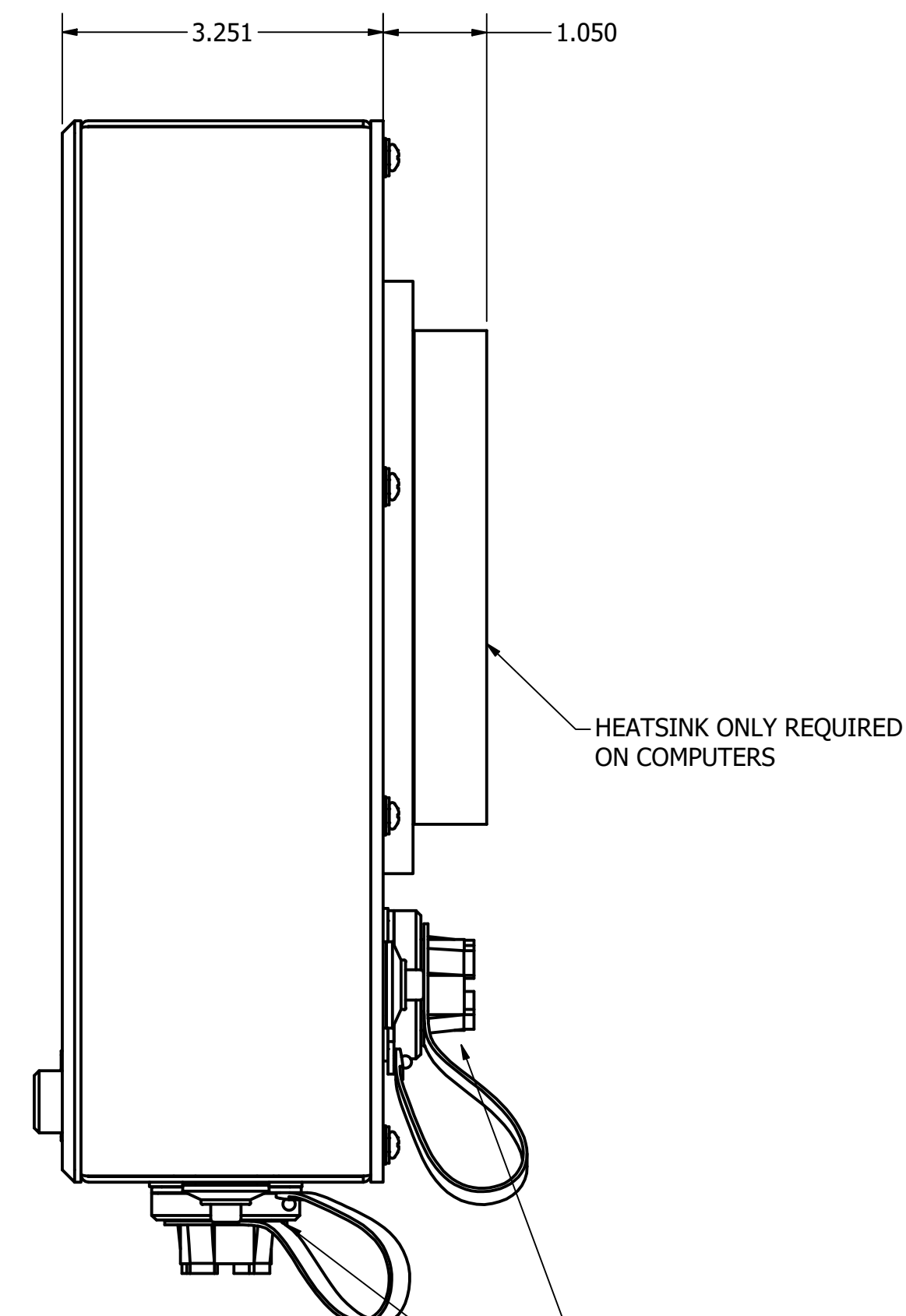
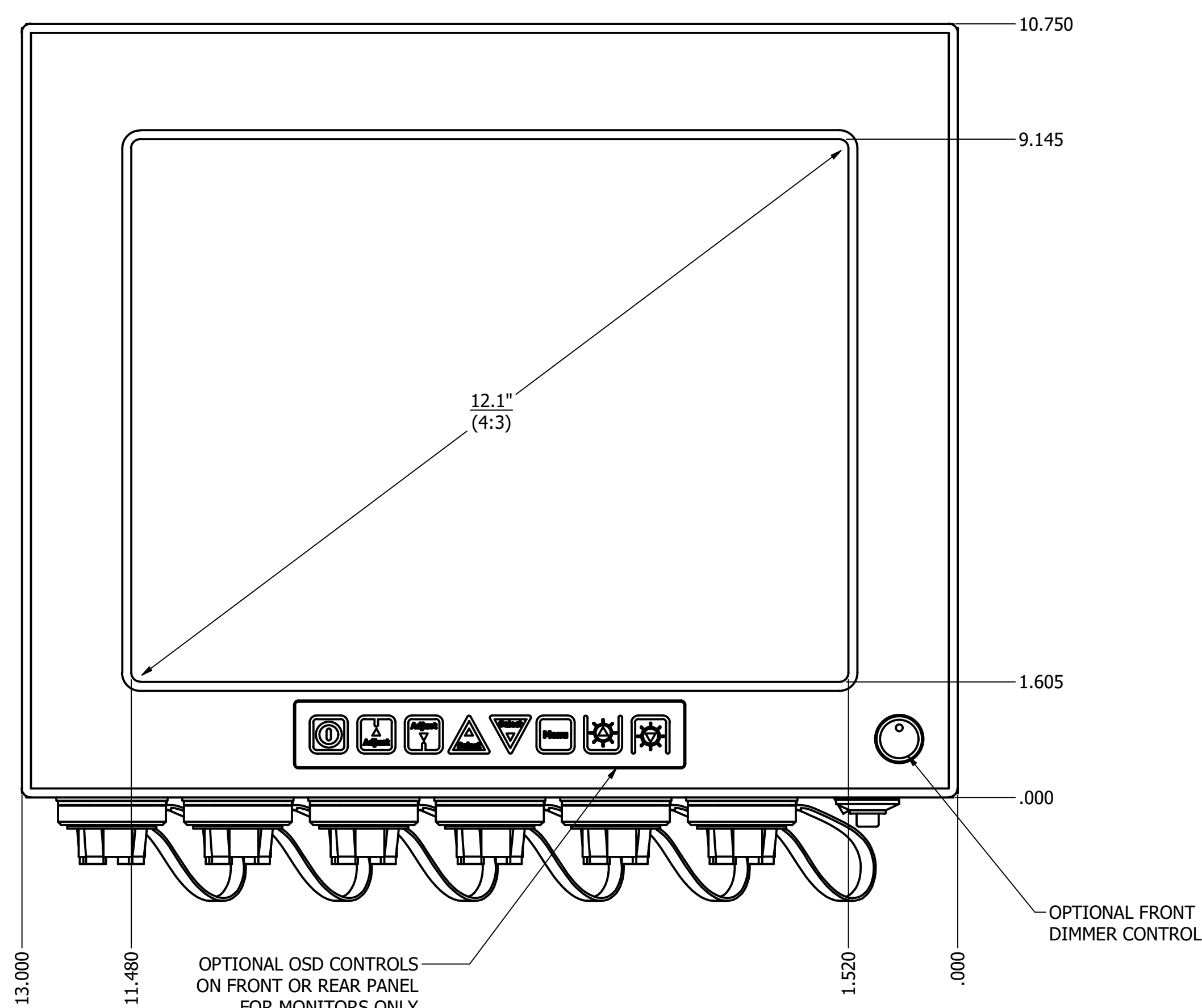
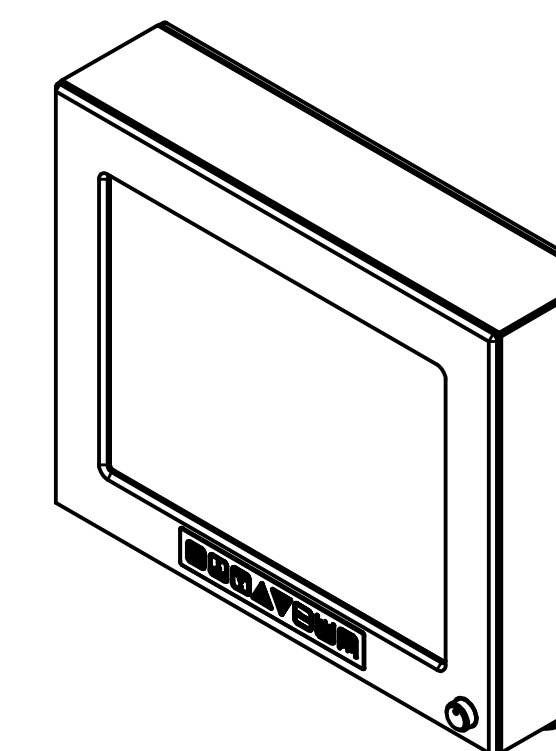


12.1" VESA MOUNT (Monitor or Computer)

PRELIMINARY DRAWING  
DIMENSIONS ARE SUBJECT TO CHANGE

| REVISION HISTORY |            |          |                     |
|------------------|------------|----------|---------------------|
| REV              | DATE       | INITIALS | DESCRIPTION         |
| 00               | 11/5/2020  | TAK      | RELEASED            |
| 01               | 11/19/2020 | TAK      | UPDATED TITLE BLOCK |



NOTES:  
1.

|                                 |      |              |     |  |  |
|---------------------------------|------|--------------|-----|--|--|
| DRAWN BY: TAK                   |      | 11/5/2020    |     | <br>VARTECH SYSTEMS INC.                 |  |
| USE WITH PRODUCT NUMBER         |      |              |     |  |  |
| QUOTE NUMBER                    |      |              |     | TITLE                                    |  |
|                                 |      |              |     | OUTLINE DRAWING<br>TOUGH STATION - GEN 3 |  |
| SHEET                           | SIZE | PART NUMBER  | REV |  |  |
| 1 of 1                          | D    | VTT3#121aVE# | 01  |  |  |
| TOLERANCES: .XX=-.01 .XXX=-.005 |      |              |     |  |  |