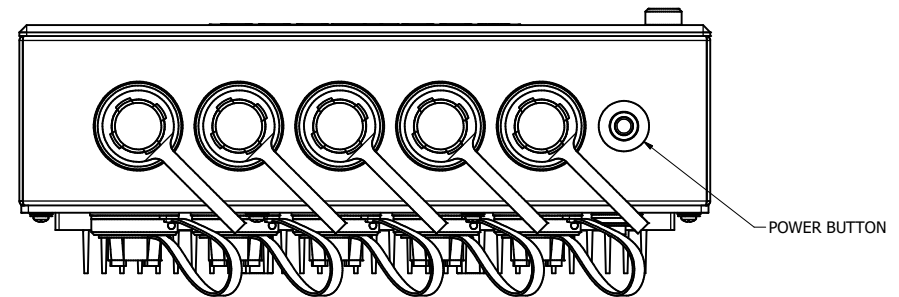
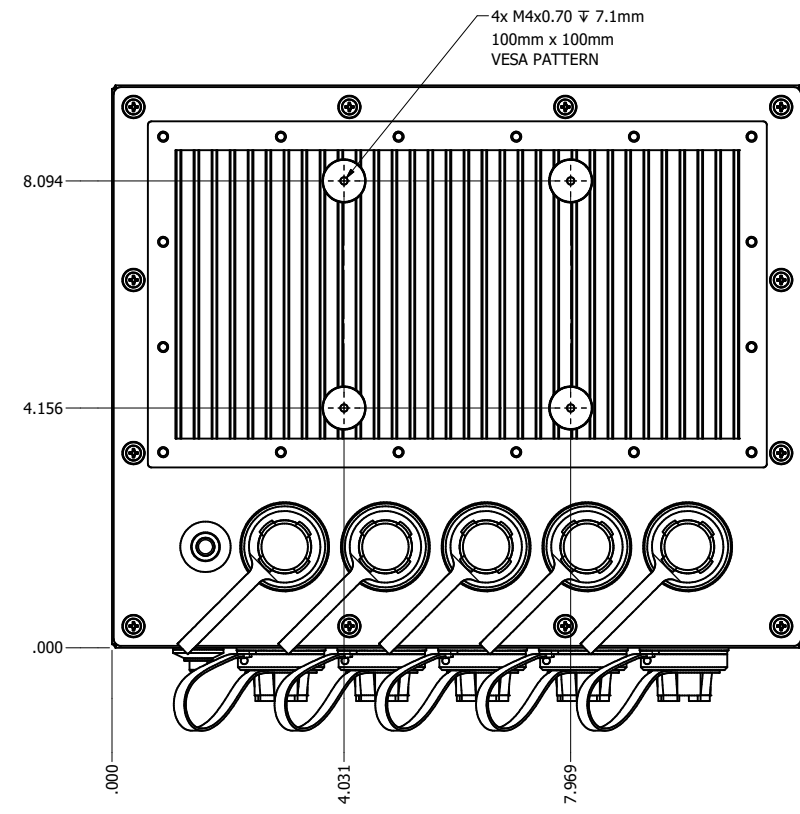
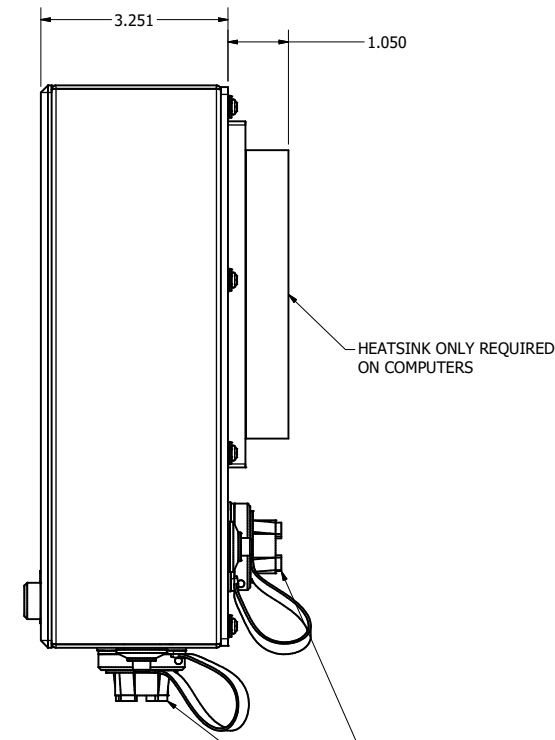
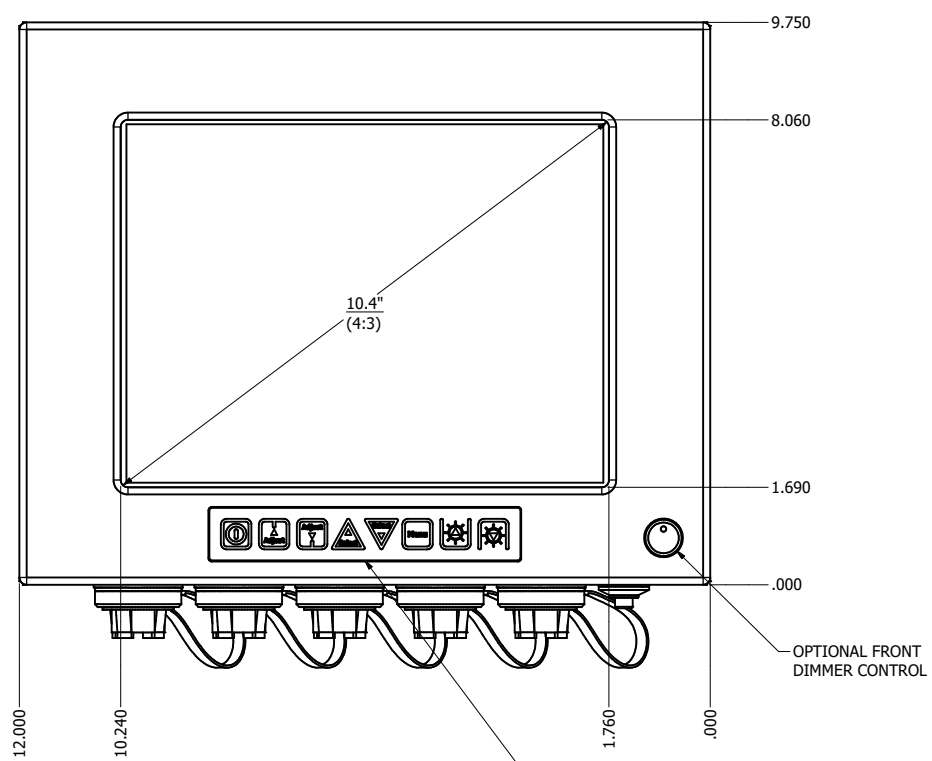
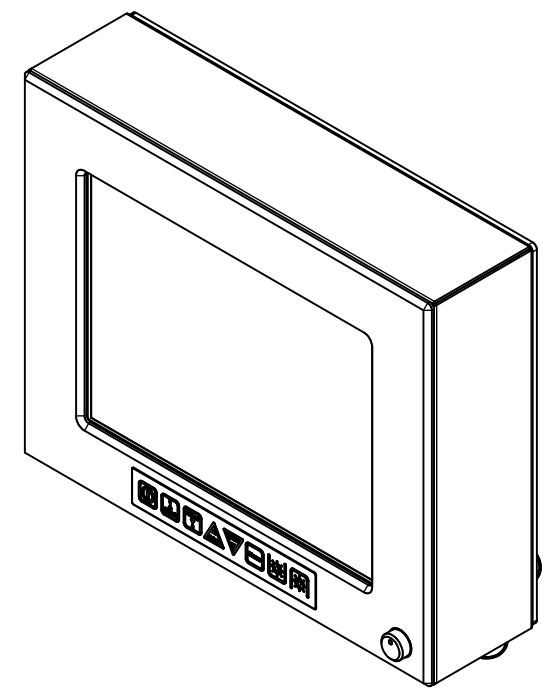


10.4" VESA MOUNT (Monitor or Computer)

PRELIMINARY DRAWING  
DIMENSIONS ARE SUBJECT TO CHANGE

REVISION HISTORY			
REV	DATE	INITIALS	DESCRIPTION
0	3/25/2021	maw	INITIAL RELEASE



DRAWN BY: mwitham		6/1/2020		 <b>VARTECH</b> SYSTEMS INC.	
USE WITH PRODUCT NUMBER					
MATERIAL & FINISH				TITLE	
				<b>OUTLINE DRAWING</b> TOUGH STATION - GEN 3	
SHEET	SIZE	PART NUMBER	REV		
1 of 1	D	VTT3#104aVE#	0		
TOLERANCES: .XX=.01 .XXX=.005					