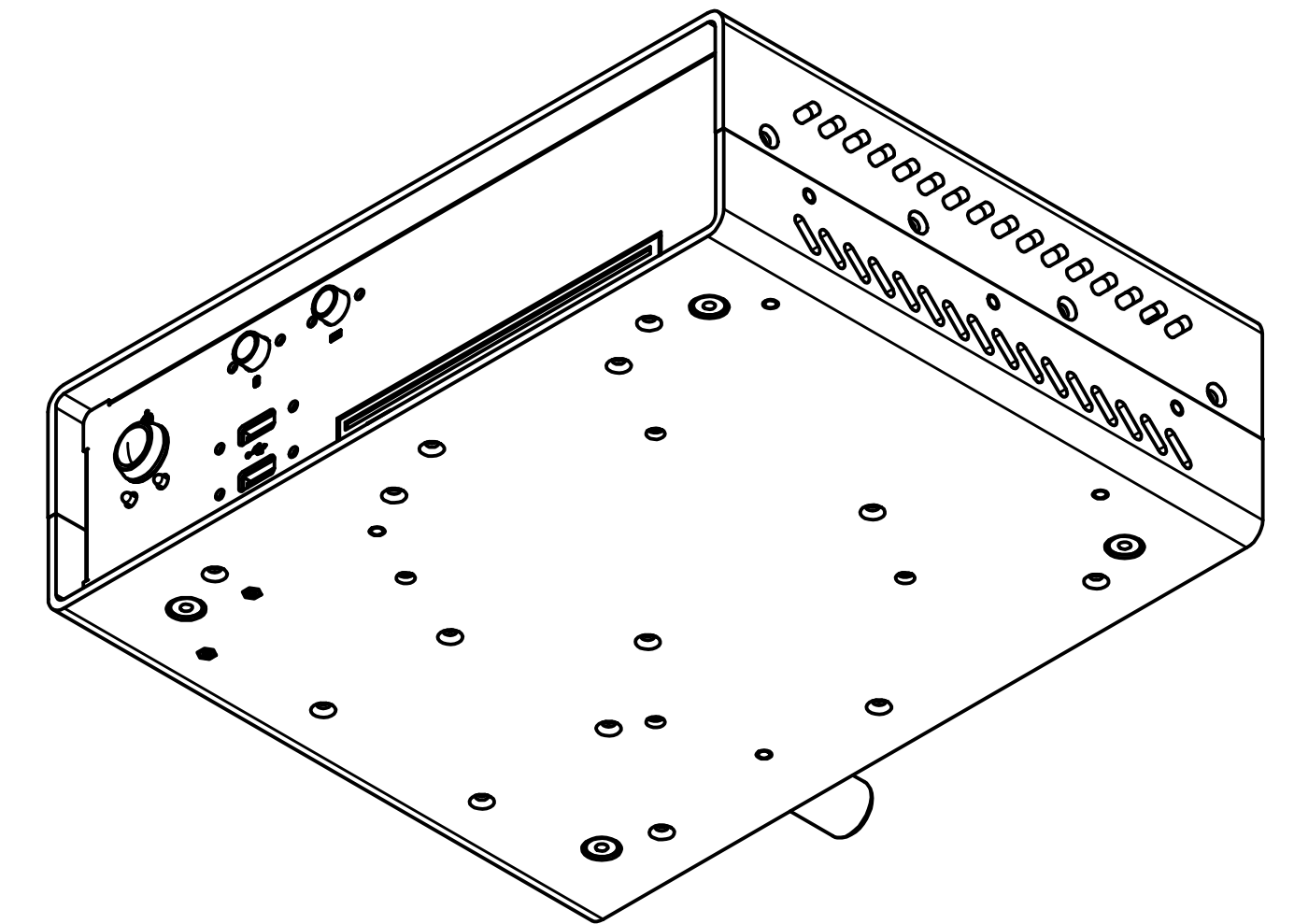
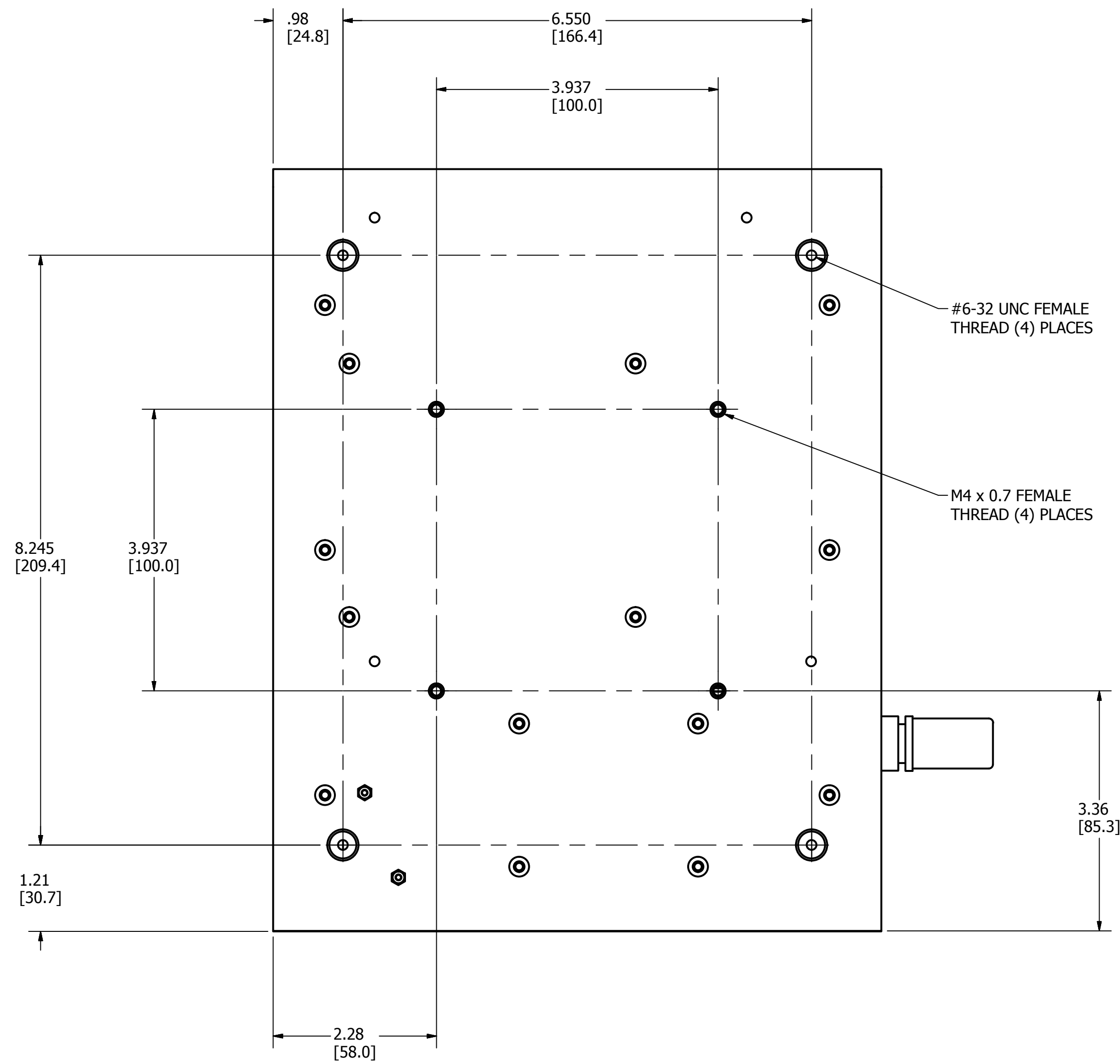
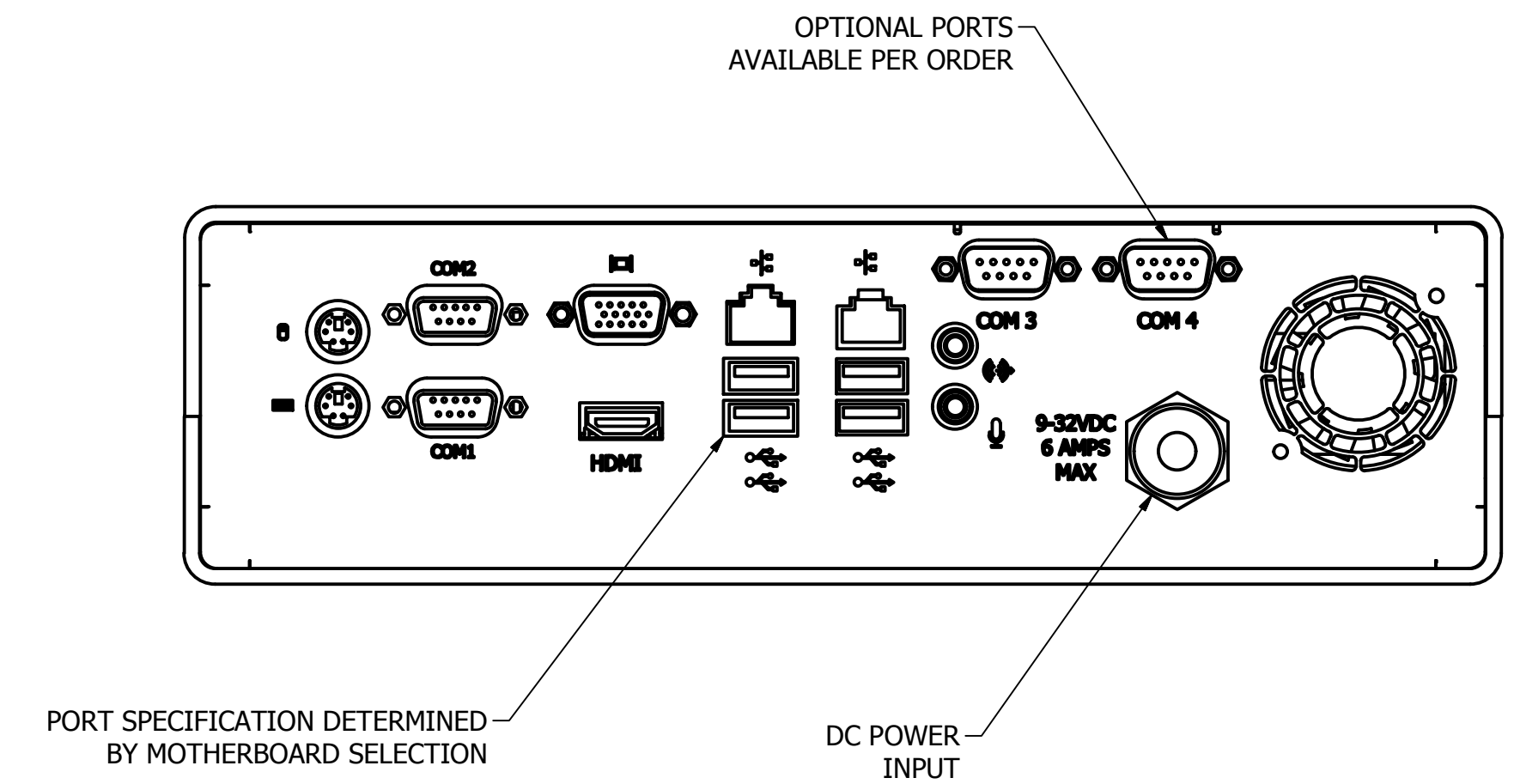
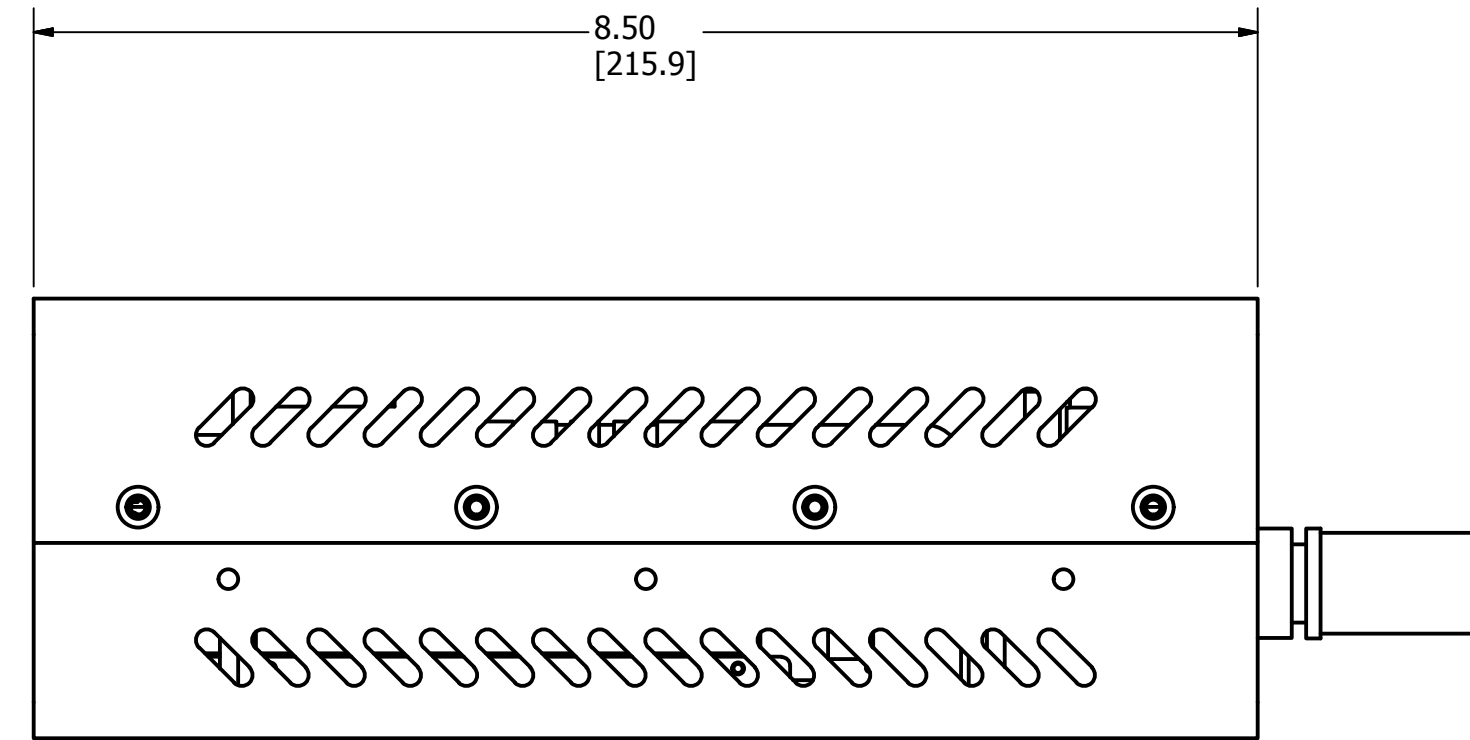
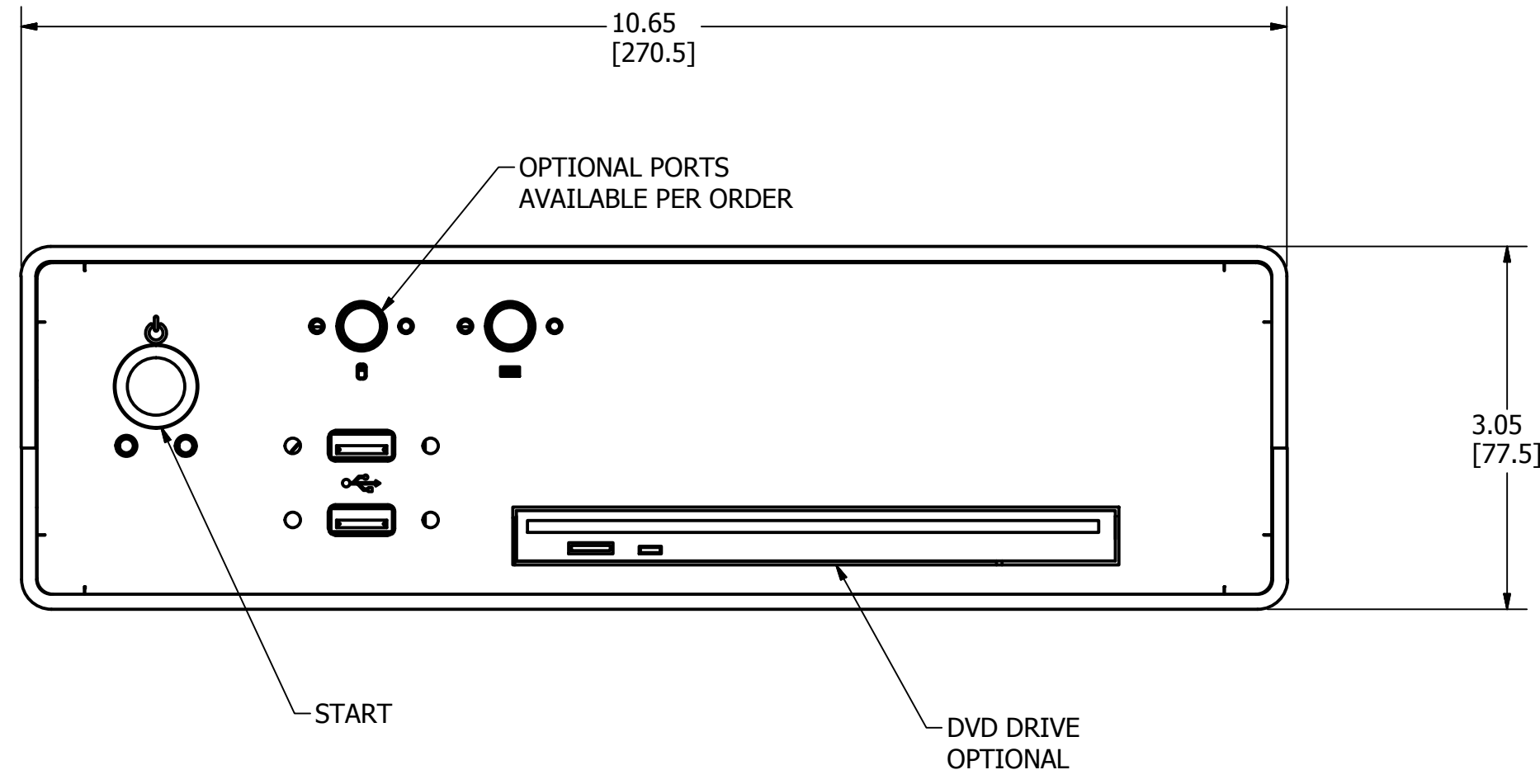


REVISION HISTORY		APPROVED	DATE
REV	DESCRIPTION		
1	NEW RELEASE	TFK	2/20/2012
2	ADD LABELS	MLC	5/23/2012
3	ADD MOTHERBOARD OPTIONS	MLC	2/4/2013
4	MAKE DRAWING GENERIC FOR MOTHERBOARD OPTIONS	MLC	1/18/17



DRAWN	TFK	10/6/2011	 VARTECH SYSTEMS					
CHECKED						TITLE		
QA						OUTLINE DRAWING, POWER CUBE 2		
MFG								
APPROVED			SIZE	TOLERANCES:	DWG NO	REV		
USED ON	MATERIAL:		D	.XX = .01 .XXX = .005	482-0162-00	4		
APPLICATION			FINISH:			SHEET 1 OF 2		