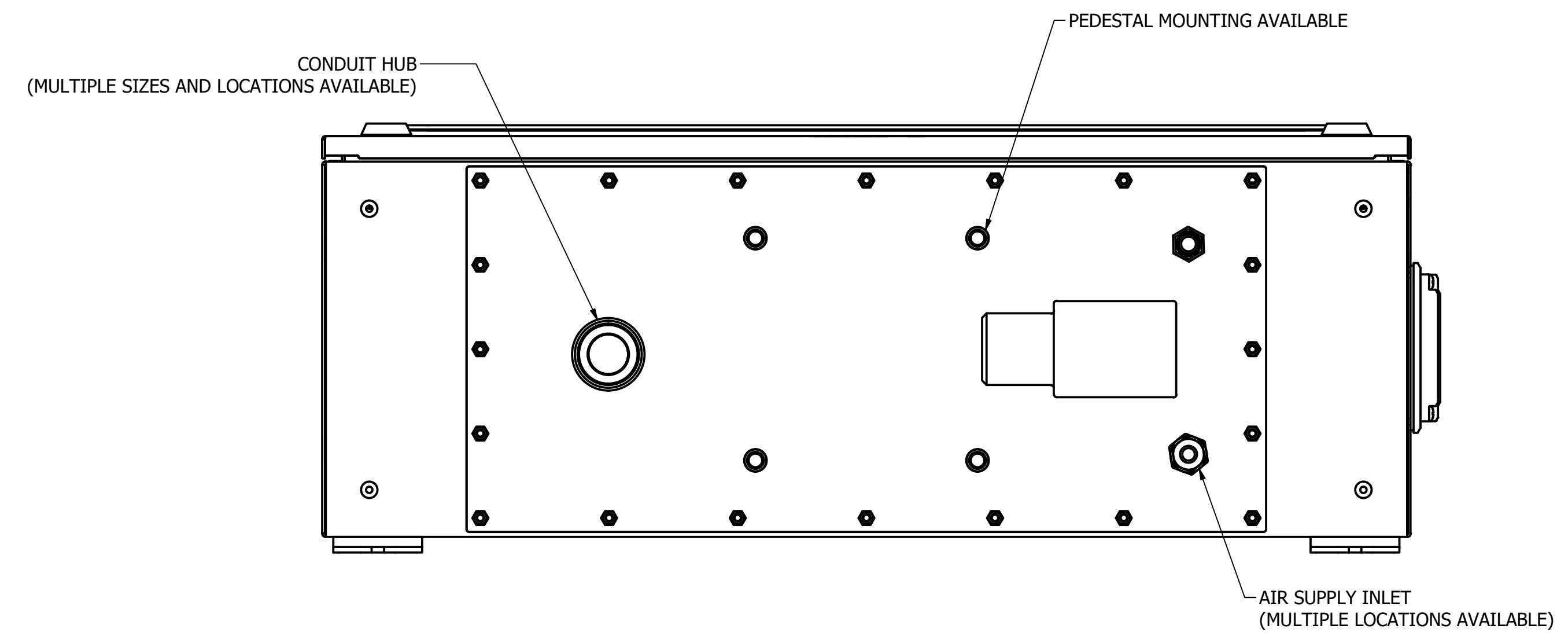
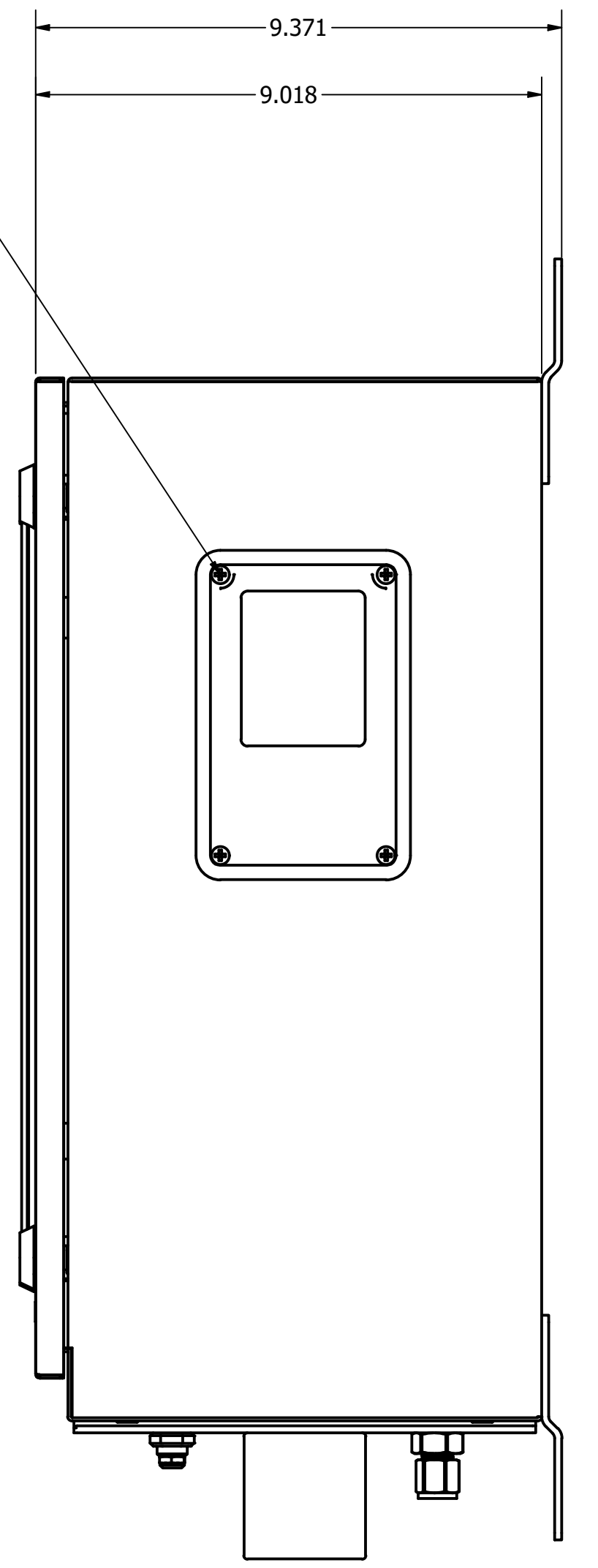


TYPE Z PURGE CONTROL PANEL
(LEFT OR RIGHT SIDE MOUNTING AVAILABLE,
DOOR HINGES ON OPPOSING SIDE)



DRAWN BY: TAK		4/8/2020			
USE WITH PRODUCT NUMBER					
MATERIAL & FINISH				TITLE	
				OUTLINE DRAWING, PANEL ENCLOSURE TSP1C215bMTSz	
SHEET	SIZE	PART NUMBER	REV		
1 of 1	D	TSP1C215bMTSz	0		
TOLERANCES: .XX=.01 .XXX=.005					