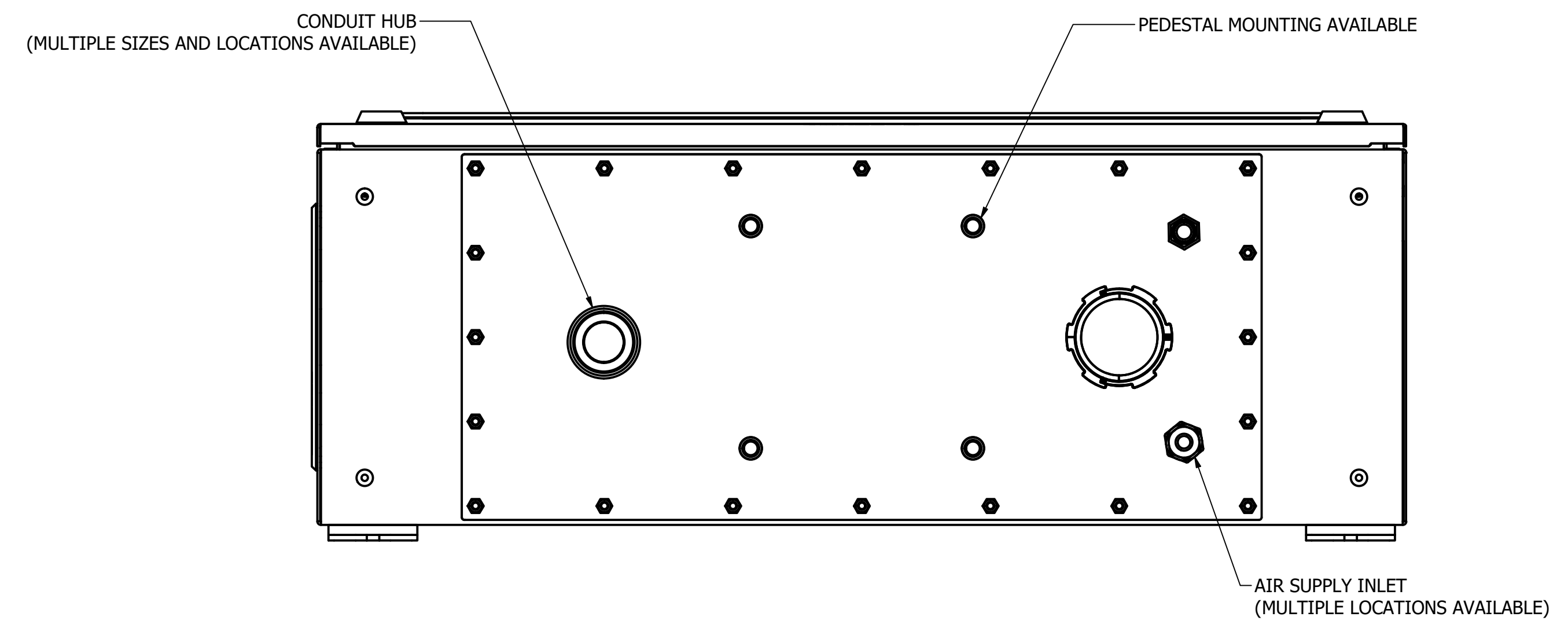
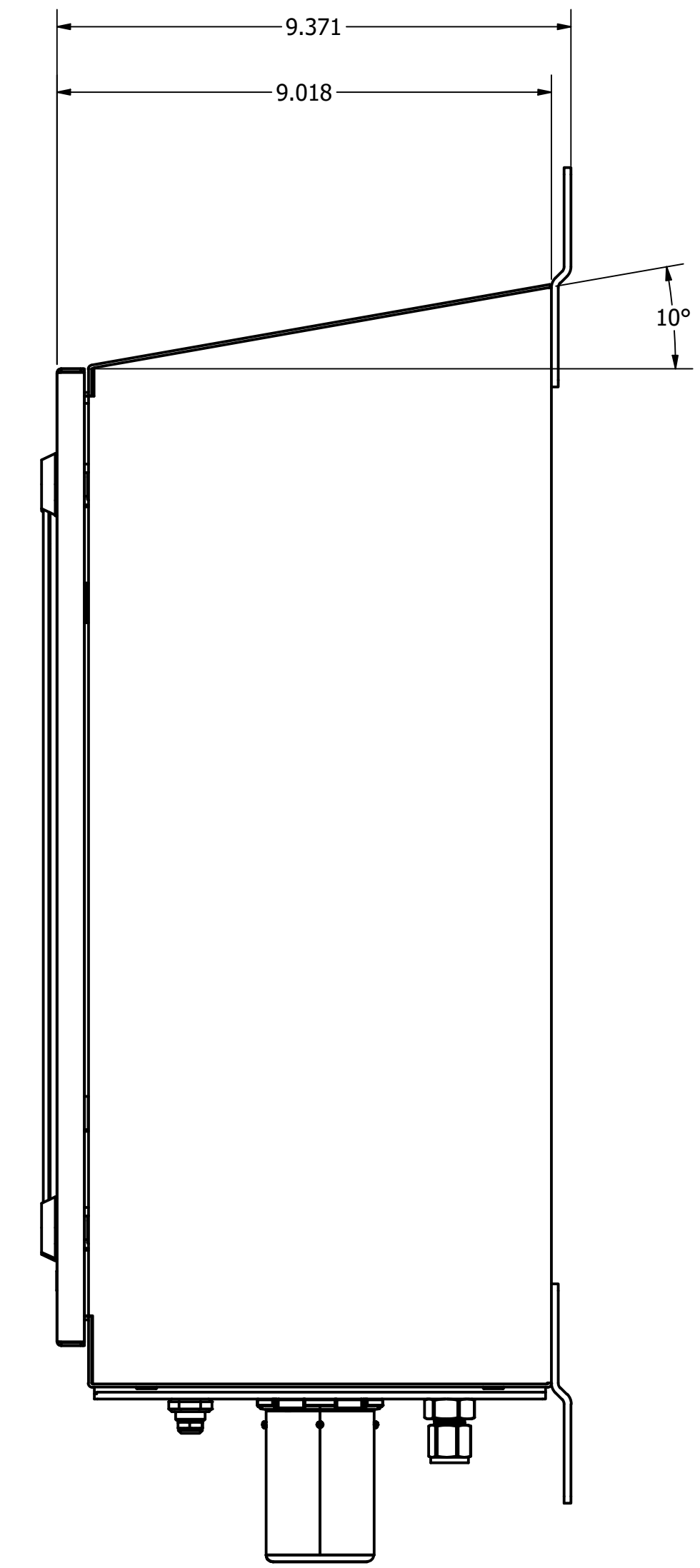
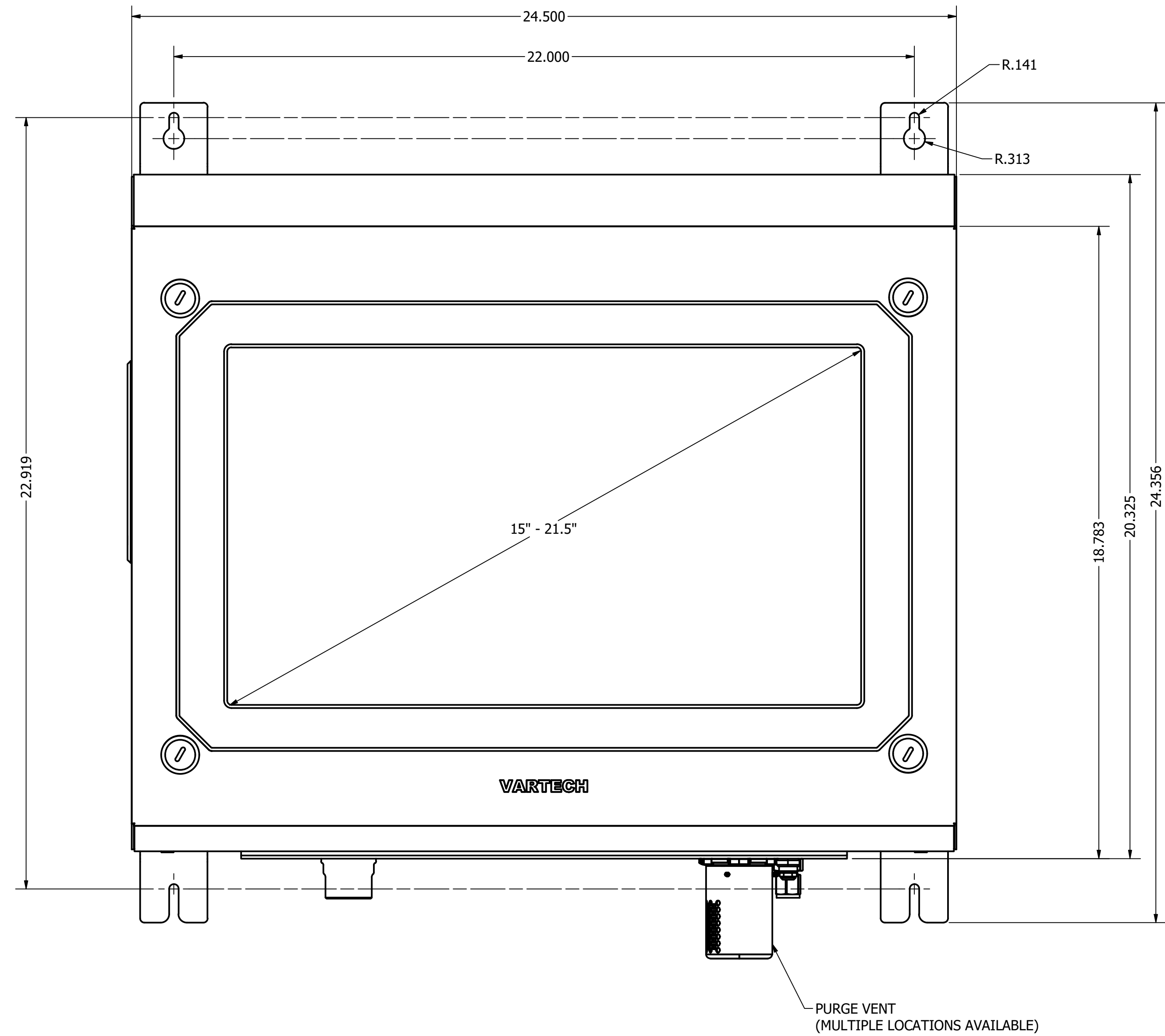
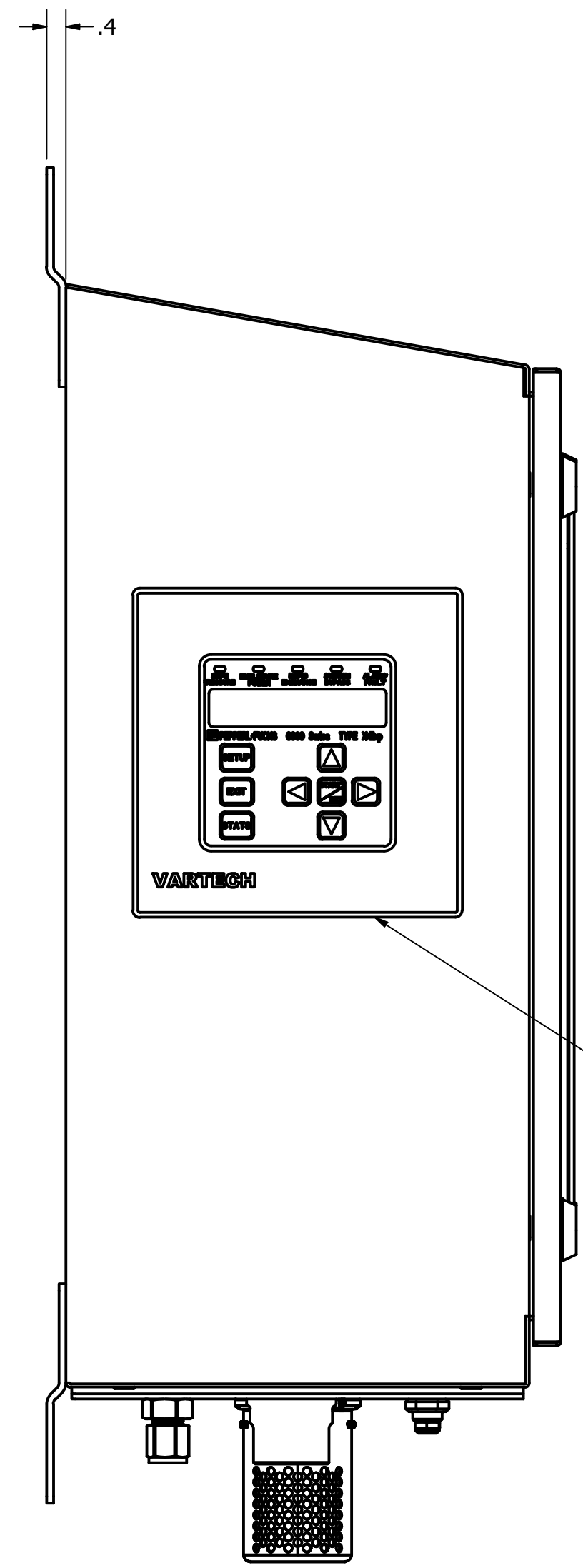


REVISION HISTORY			
REV	DATE	INITIALS	DESCRIPTION
0	4/3/2020	TAK	RELEASED



DRAWN BY: TAK		4/3/2020		
USE WITH PRODUCT NUMBER				
MATERIAL & FINISH				TITLE
				OUTLINE DRAWING, PANEL ENCLOSURE
SHEET	SIZE	PART NUMBER	REV	
1 of 1	D	VTTSP1XXXXXMTSX	0	
TOLERANCES: .XX=-.01 .XXX=-.005				