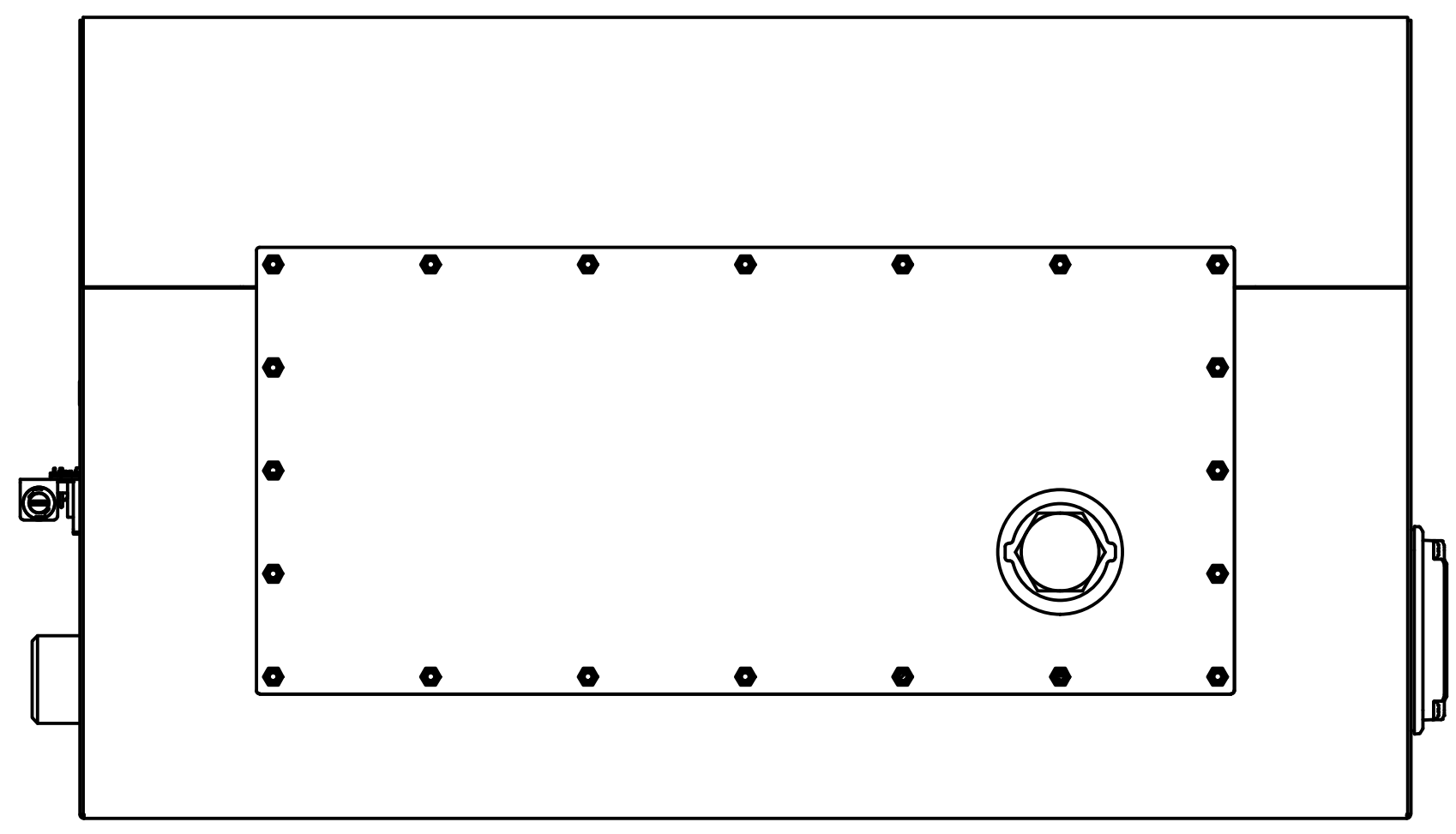
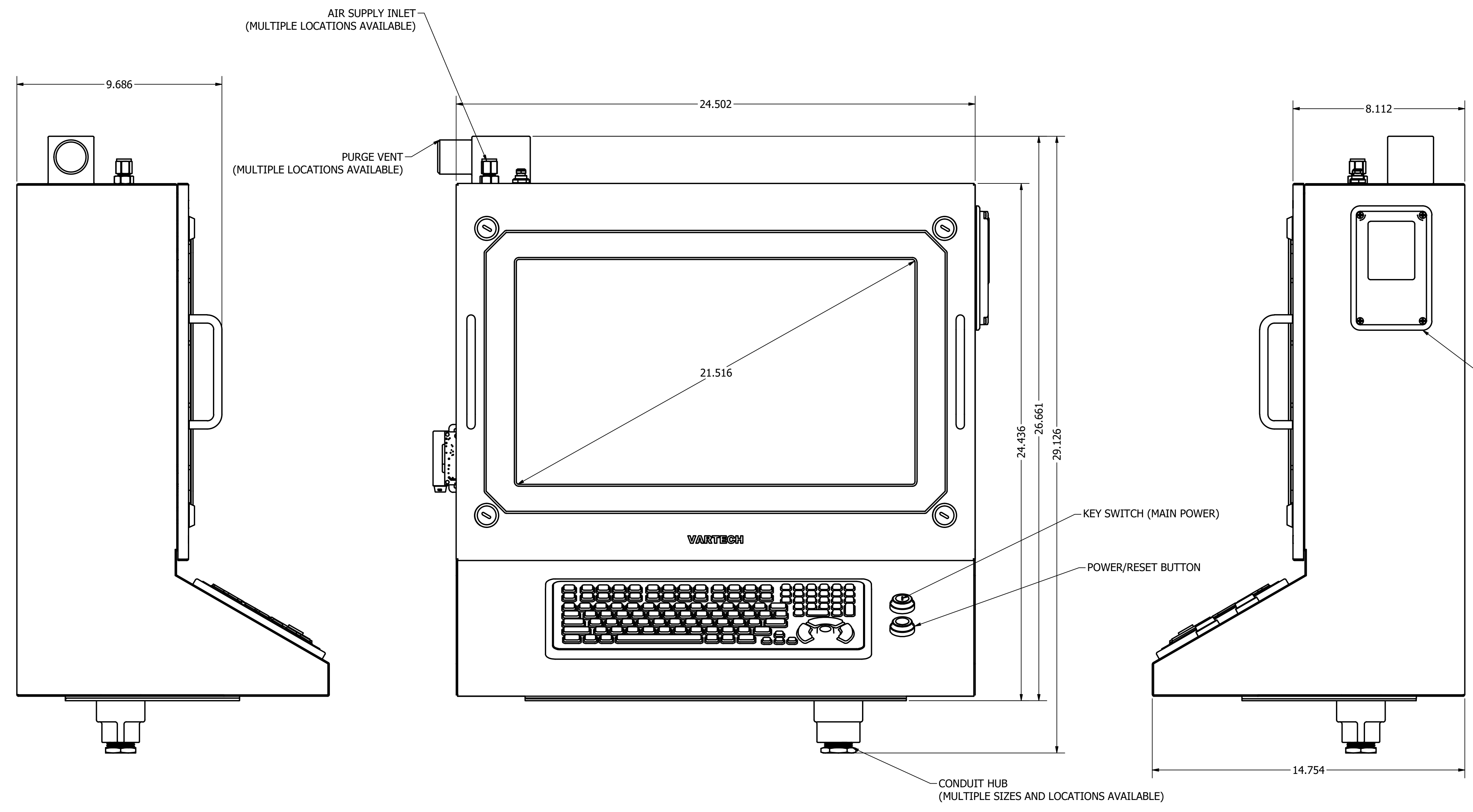
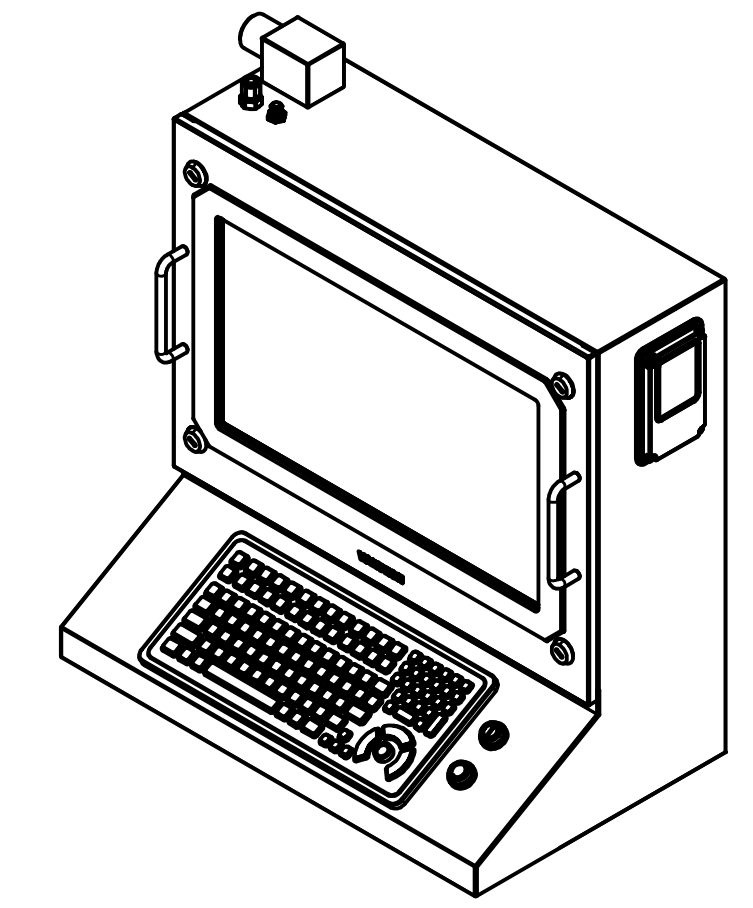


| REVISION HISTORY | | | |
|------------------|----------|----------|-----------------|
| REV | DATE | INITIALS | DESCRIPTION |
| 0 | 4/8/2020 | TAK | INITIAL RELEASE |



| | | | | | |
|-------------------------------|------|---------------|-----|-------------------------|--|
| DRAWN BY: TAK | | 6/25/2019 | | | |
| USE WITH PRODUCT NUMBER | | | | | |
| MATERIAL & FINISH | | | | TITLE | |
| SSTL | | | | C1D2 & C2D2 WORKSTATION | |
| SHEET | SIZE | PART NUMBER | REV | | |
| 1 of 1 | D | VTPC2150ESCW2 | 0 | | |
| TOLERANCES: .XX=.01 .XXX=.005 | | | | | |