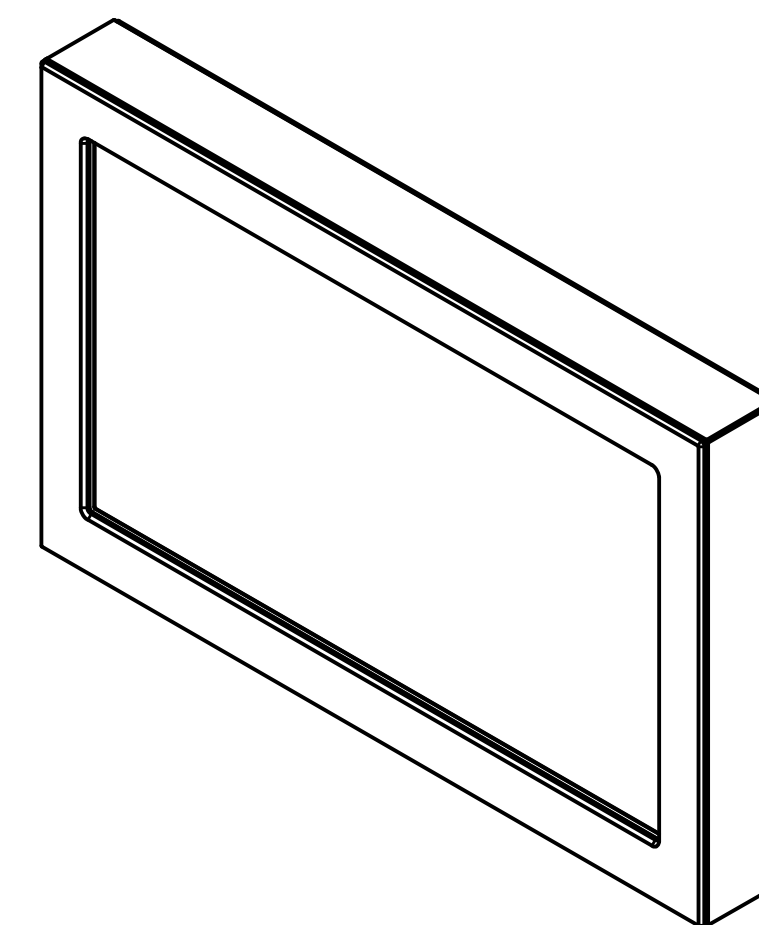
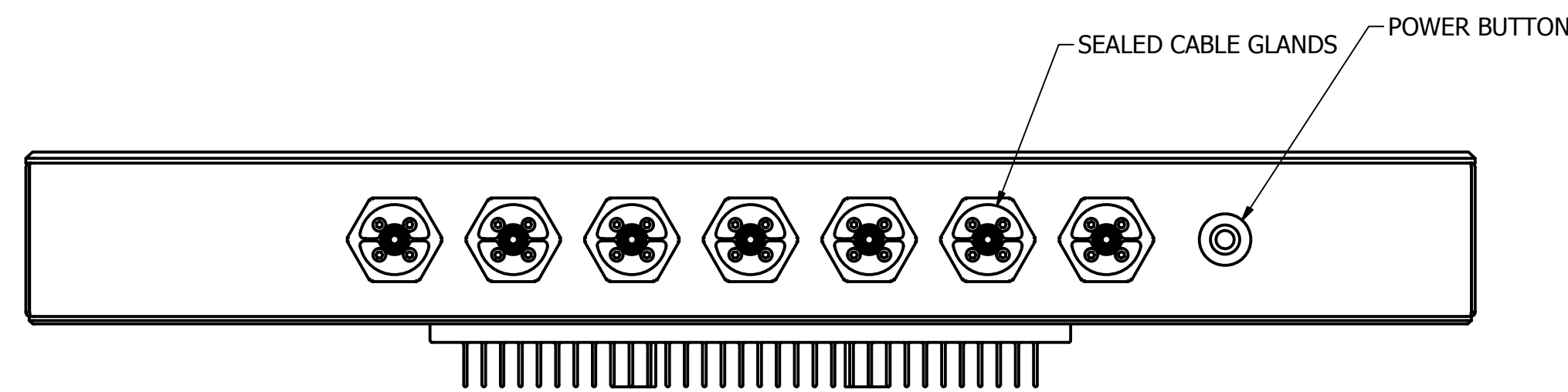
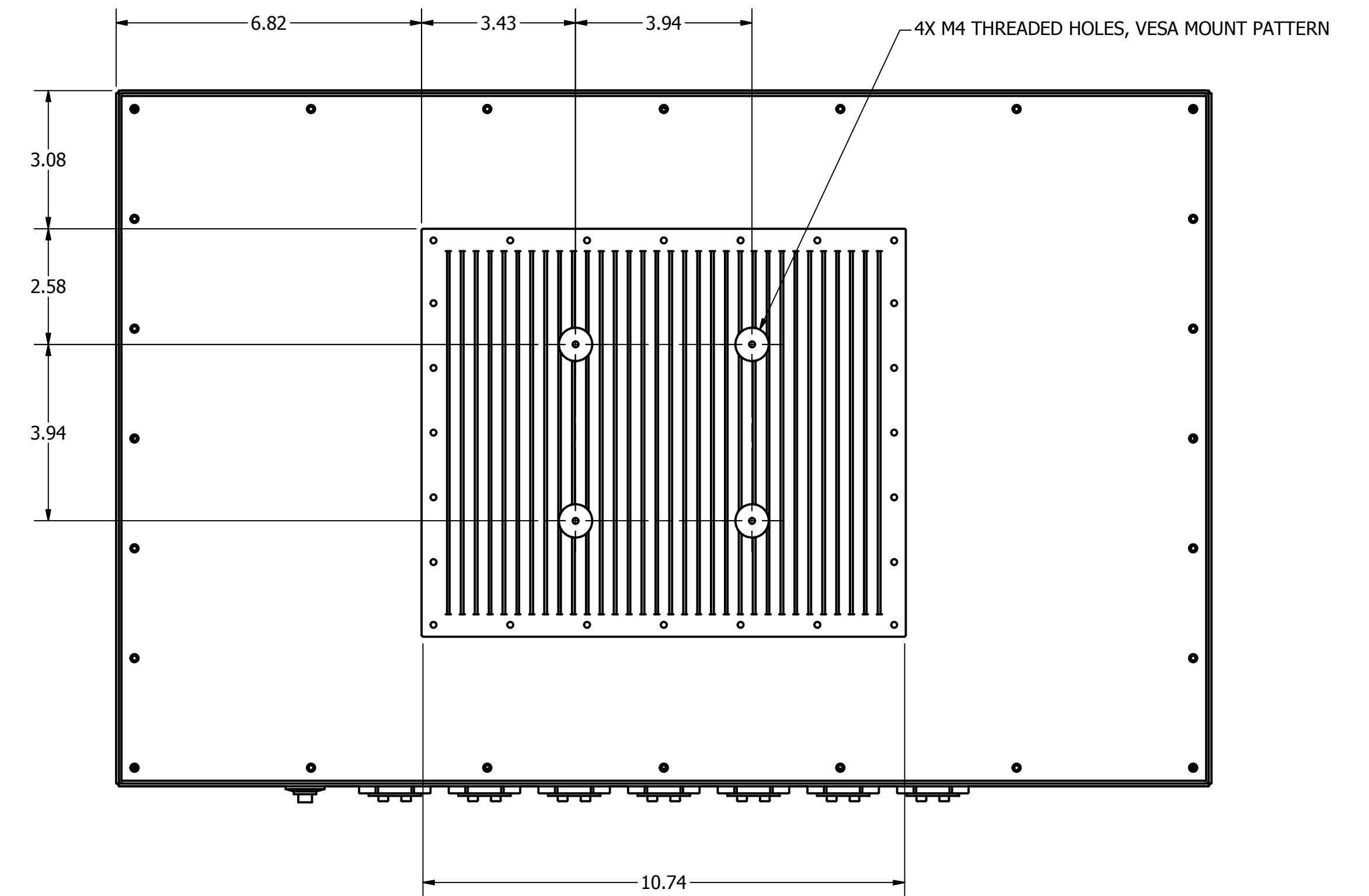
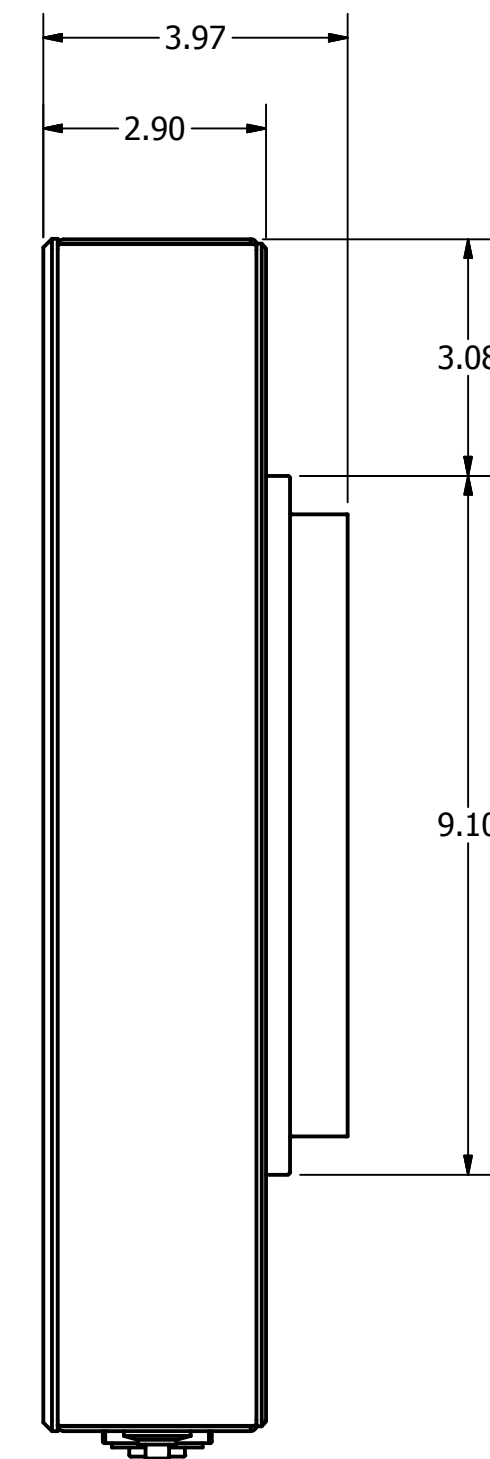
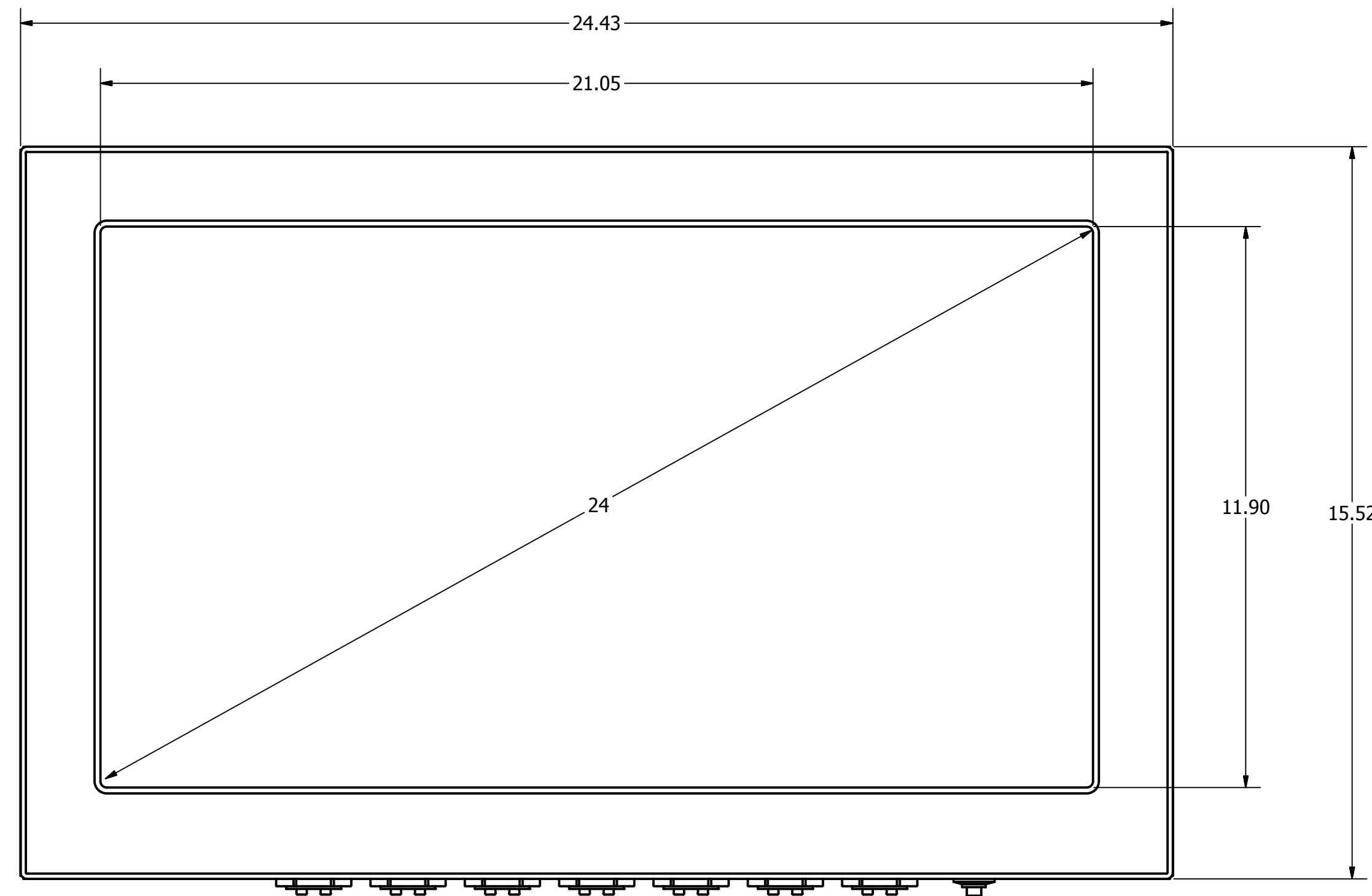
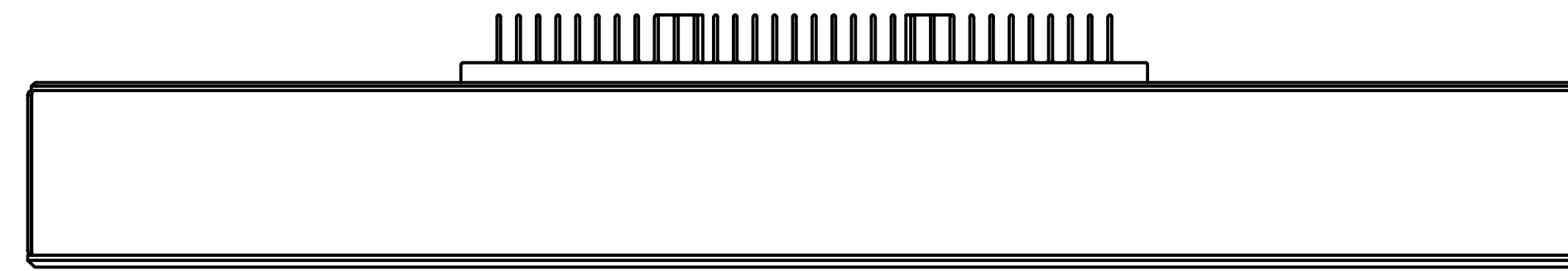


REVISION HISTORY			
REV	DESCRIPTION	APPROVED	DATE
0	RELEASE	COG	11/7/2017



DRAWN	cgray	11/7/2017	VARTECH SYSTEMS			
CHECKED						
QA			TITLE			
MFG			OUTLINE DRAWING, VTPC2400VS			
APPROVED			SIZE	TOLERANCES:	DWG NO	REV
USED ON	MATERIAL:		D	.XX = .01 .XXX = .005	482-0354-001	0
APPLICATION			FINISH:			SHEET 1 OF 1