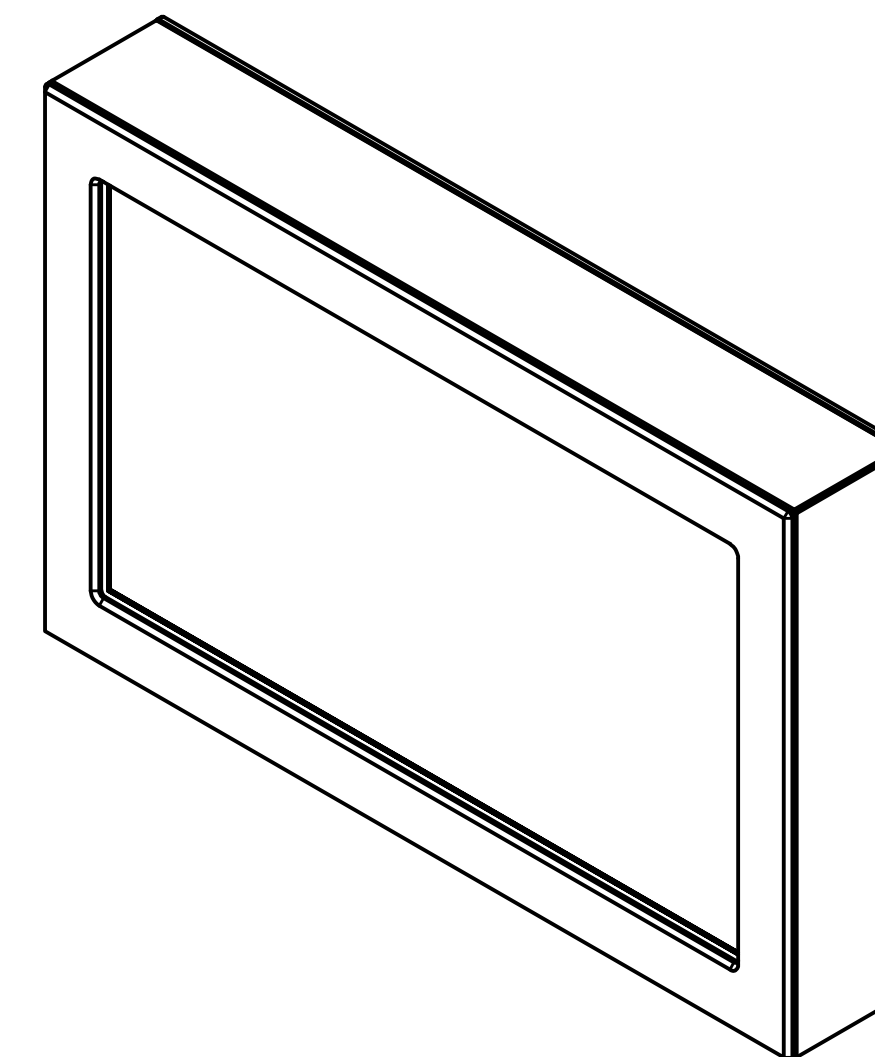
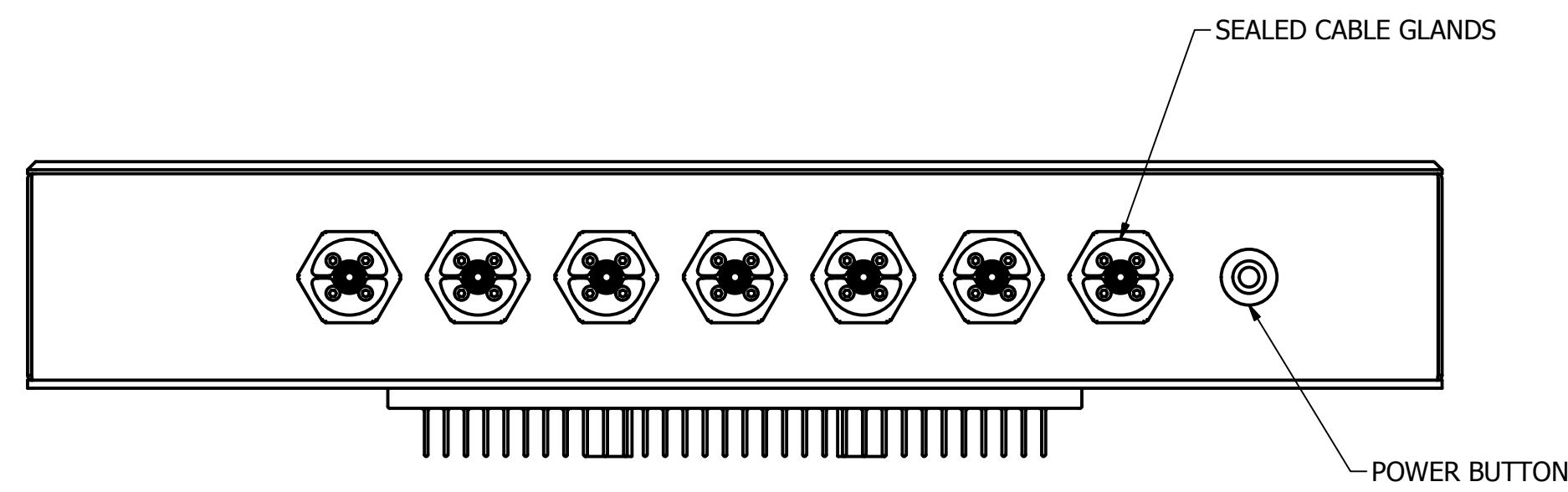
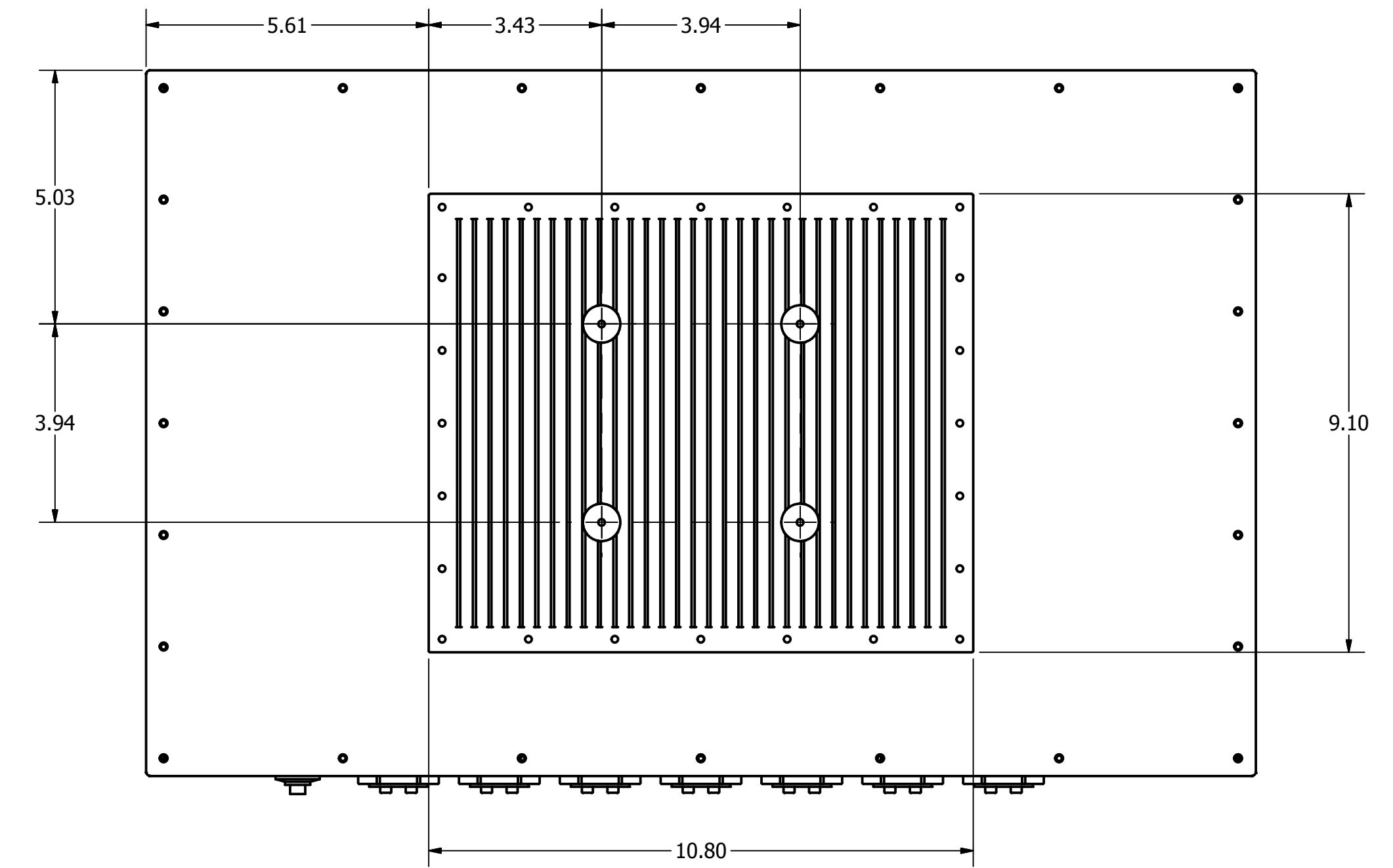
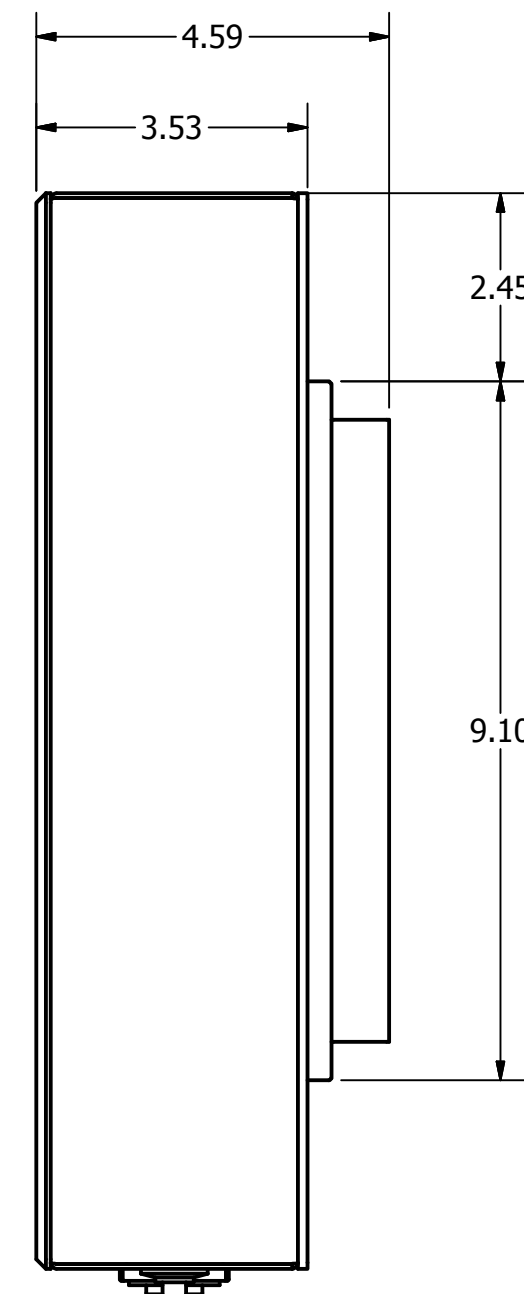
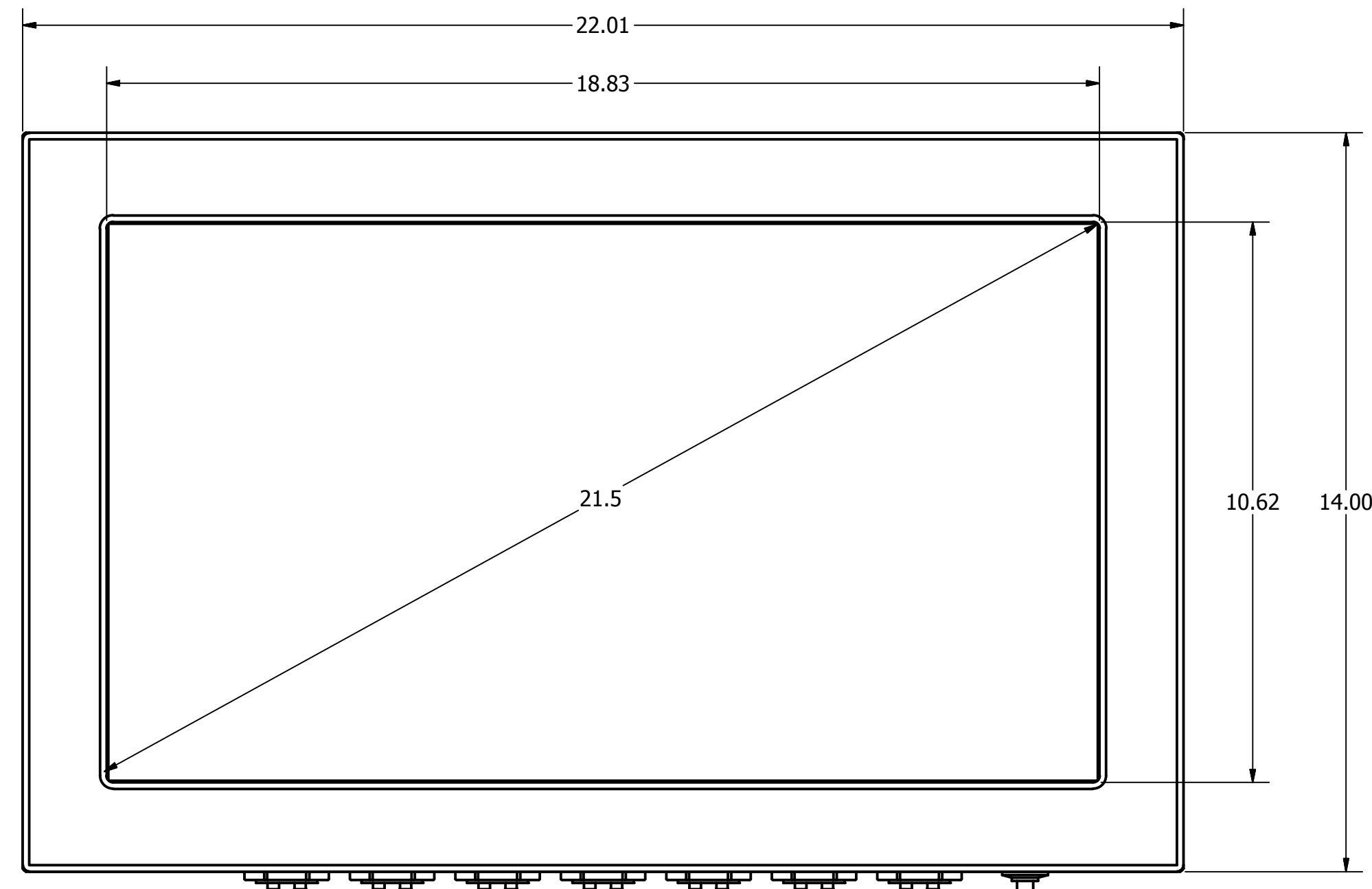
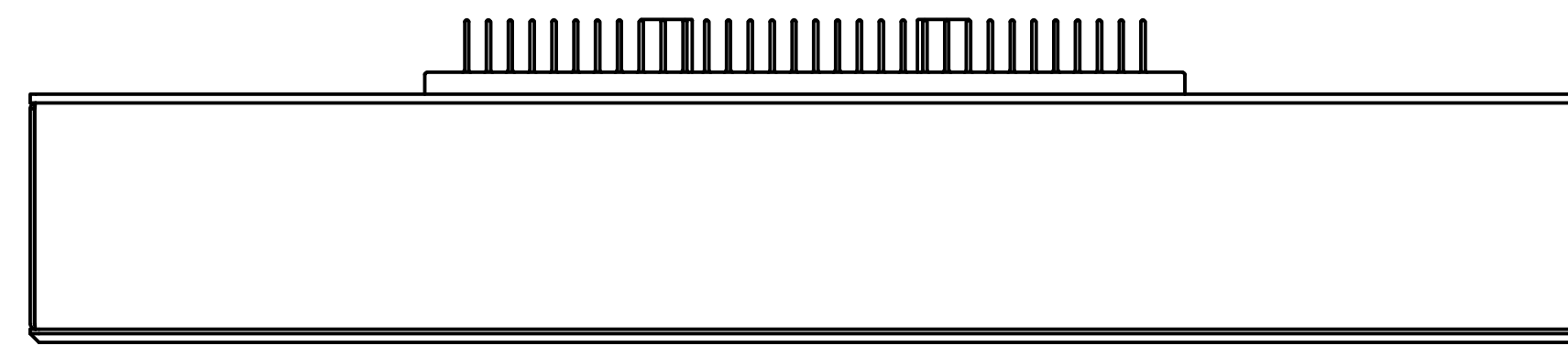


REVISION HISTORY			
REV	DESCRIPTION	APPROVED	DATE
0	RELEASE	COG	11/6/2017



DRAWN	CGRAY	11/6/2017	<b>VARTECH SYSTEMS</b>			
CHECKED						
QA			TITLE			
MFG			OUTLINE DRAWING, VTPC2100VS			
APPROVED			SIZE	TOLERANCES:	DWG NO	REV
USED ON	MATERIAL:		D	.XX = .01 .XXX = .005	482-0353-001	0
APPLICATION			FINISH:			SHEET 1 OF 1