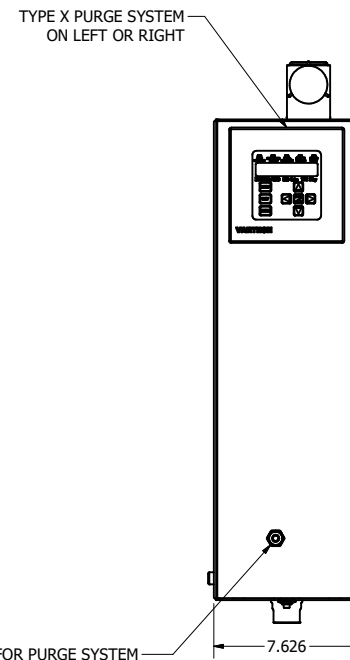
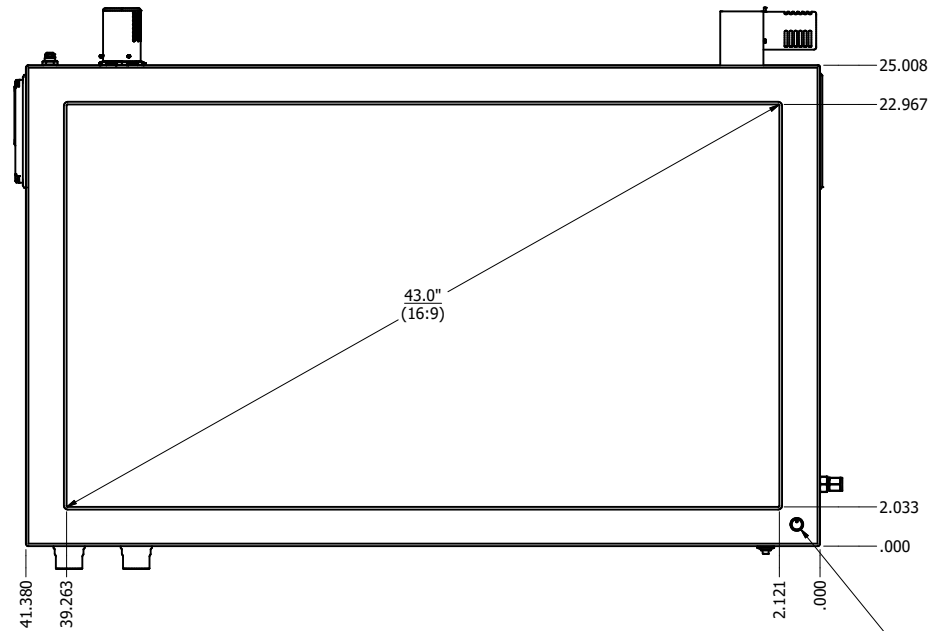
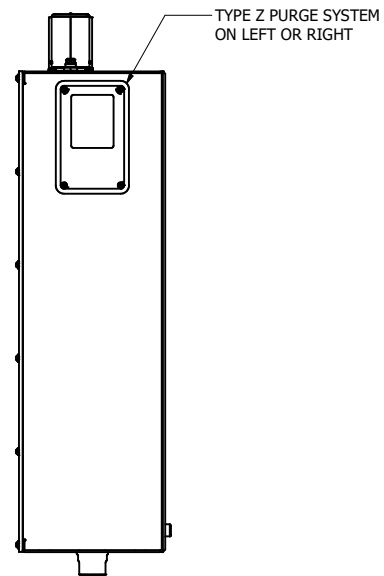
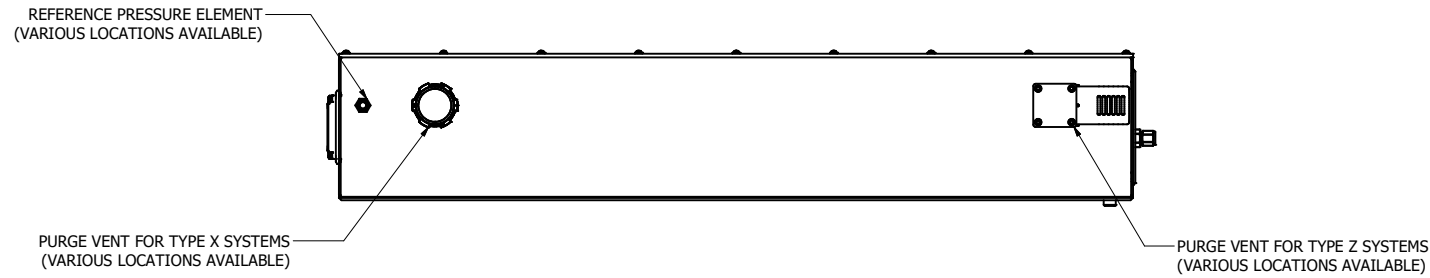
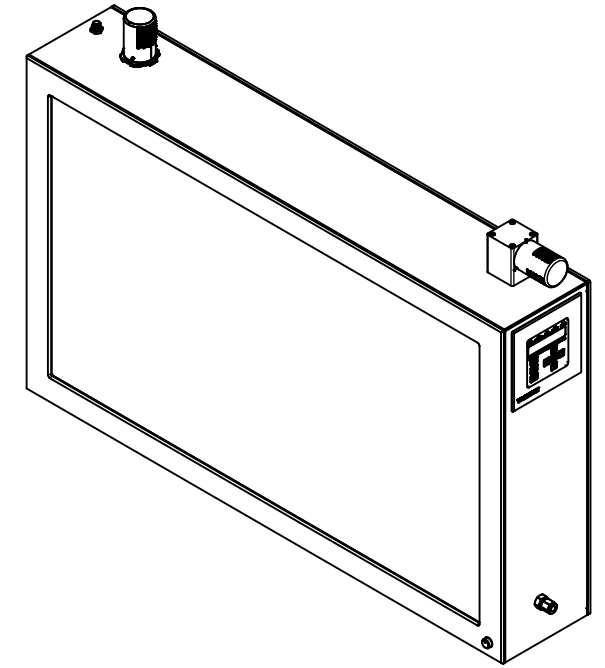


43.0" PEDESTAL MOUNT (Monitor or Computer)

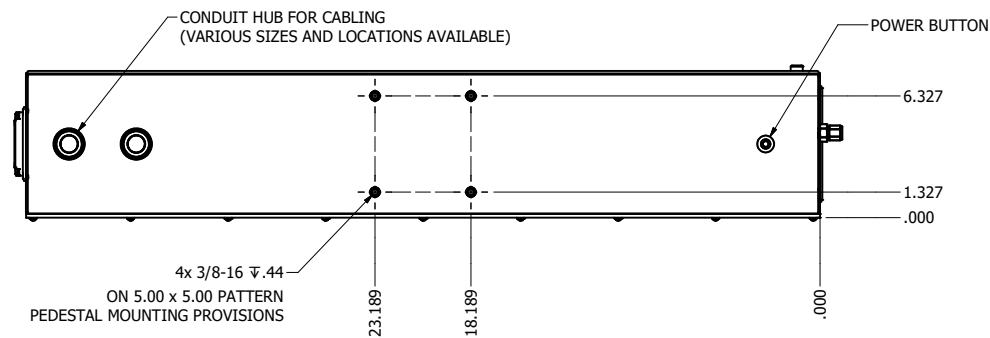
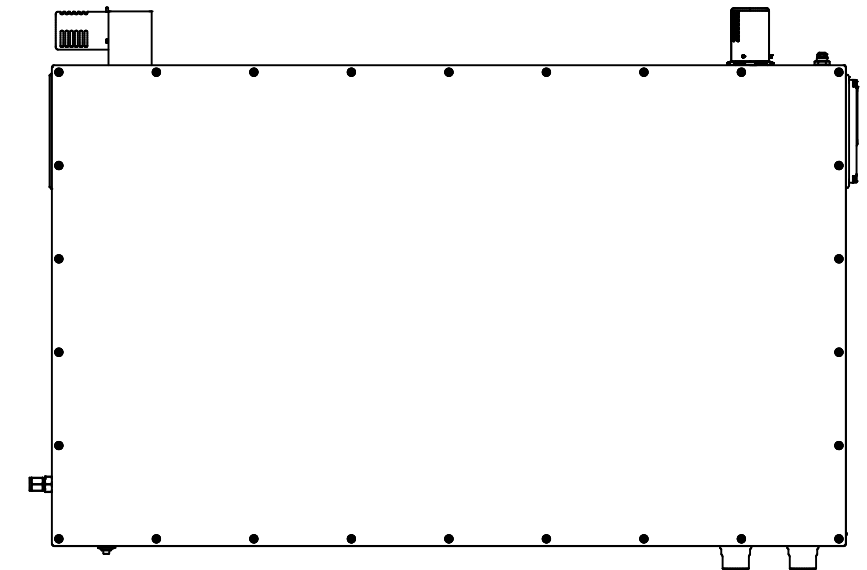
PRELIMINARY DRAWING  
DIMENSIONS ARE SUBJECT TO CHANGE

REVISION HISTORY			
REV	DATE	INITIALS	DESCRIPTION
0	7/20/2021	TAK	INITIAL RELEASE

**BOTH TYPE X (C1D1) AND TYPE Z (C1D2) PURGE SYSTEMS  
ARE SHOWN DEPENDING ON APPLICATION  
\*\*ONE PURGE SYSTEM PER WORKSTATION\*\***



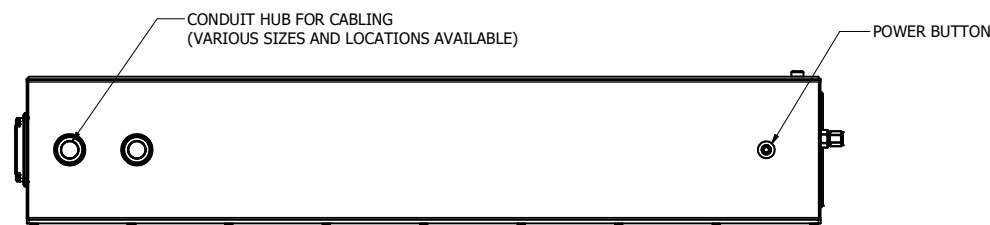
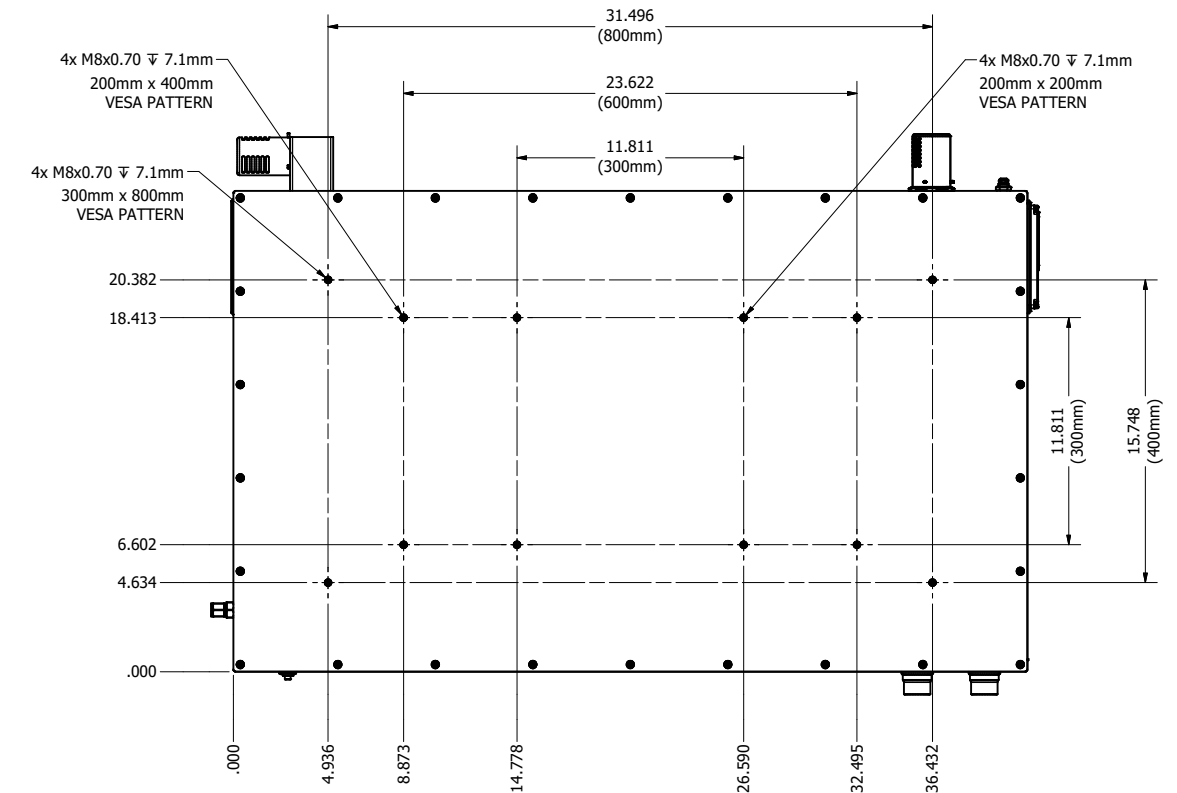
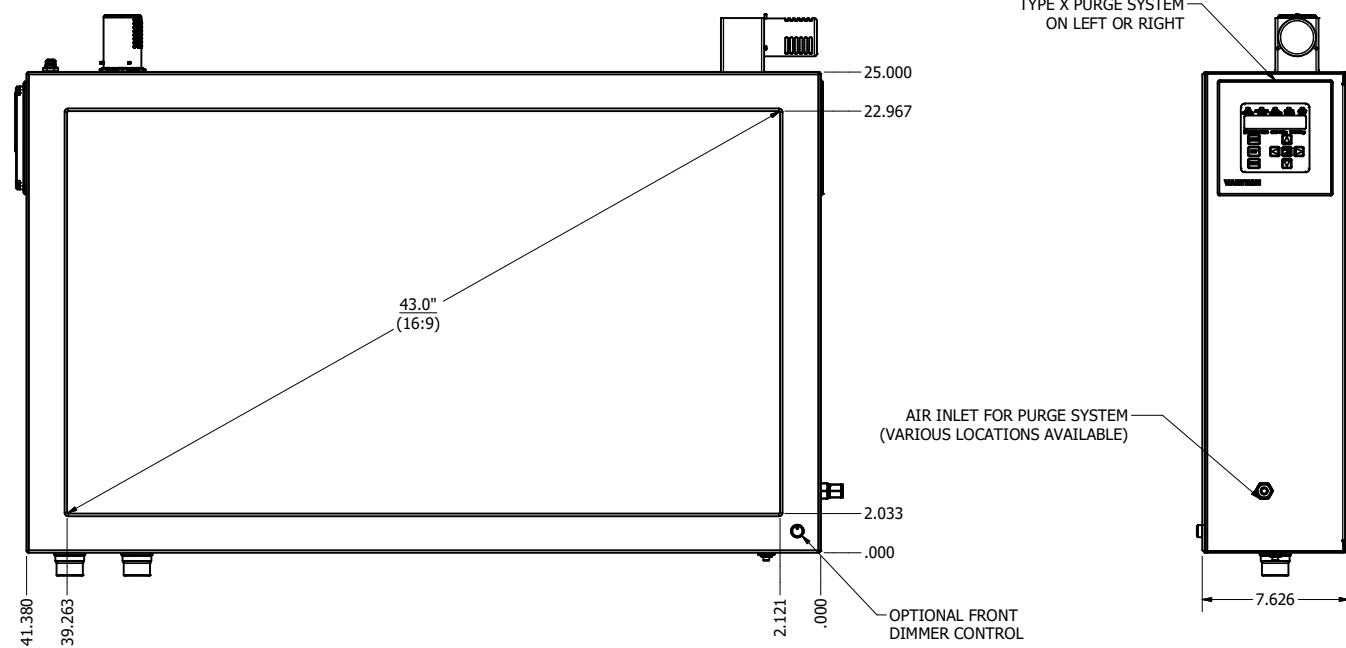
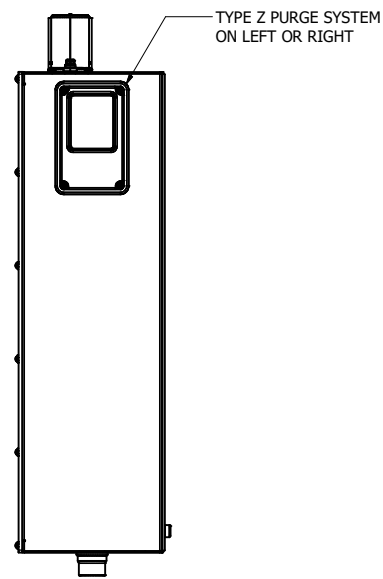
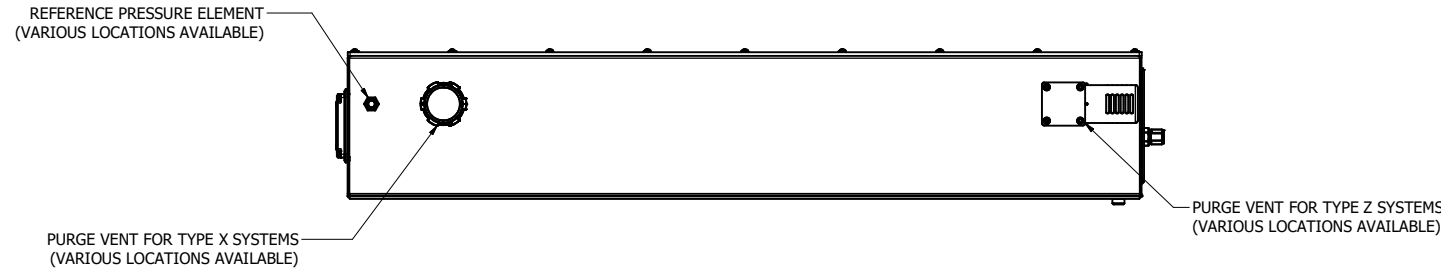
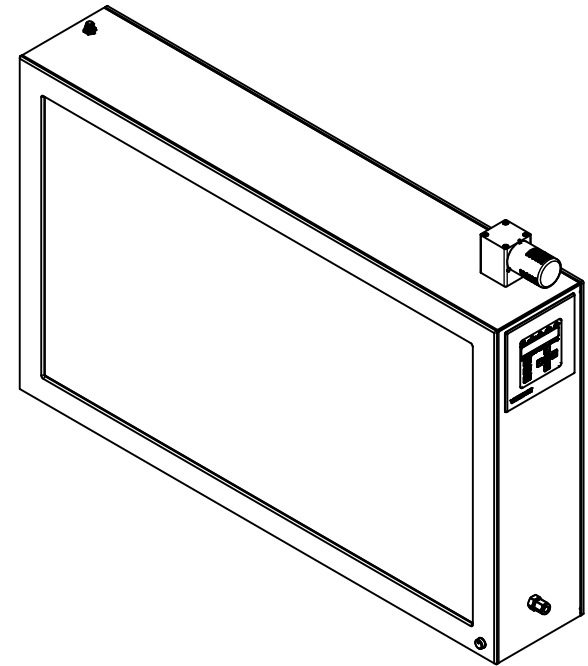
OPTIONAL FRONT DIMMER CONTROL



DRAWN BY: TAK		4/29/2019		 <b>VARTECH</b> SYSTEMS INC.
USE WITH PRODUCT NUMBER				
MATERIAL & FINISH				TITLE
				TOUGH STATION FOR HAZLOC TOUGH STATION GEN3
SHEET	SIZE	PART NUMBER	REV	
2 of 3	D	VTHT3#430bPDSx/z	0	
TOLERANCES: .XX=-.01 .XXX=-.005				

REVISION HISTORY			
REV	DATE	INITIALS	DESCRIPTION
0	7/20/2021	TAK	INITIAL RELEASE

**BOTH TYPE X (C1D1) AND TYPE Z (C1D2) PURGE SYSTEMS  
ARE SHOWN DEPENDING ON APPLICATION  
\*\*ONE PURGE SYSTEM PER WORKSTATION\*\***



DRAWN BY: TAK		4/29/2019		 <b>VARTECH</b> SYSTEMS INC.	
USE WITH PRODUCT NUMBER					
MATERIAL & FINISH				TITLE	
				TOUGH STATION FOR HAZLOC TOUGH STATION GEN3	
SHEET	SIZE	PART NUMBER	REV		
3 OF 3	D	VTHT3#430bVESx/z	0		
TOLERANCES: .XX=-.01 .XXX=-.005					