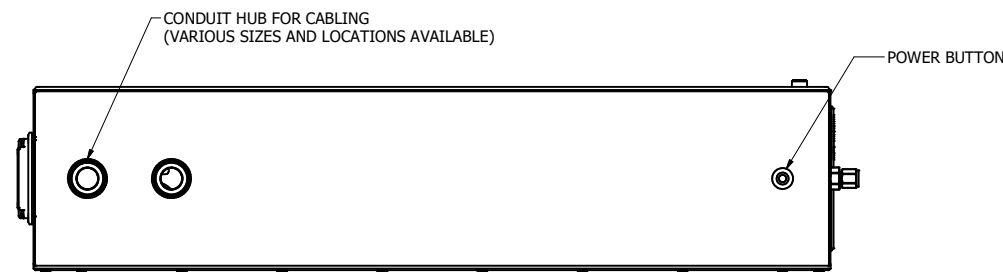
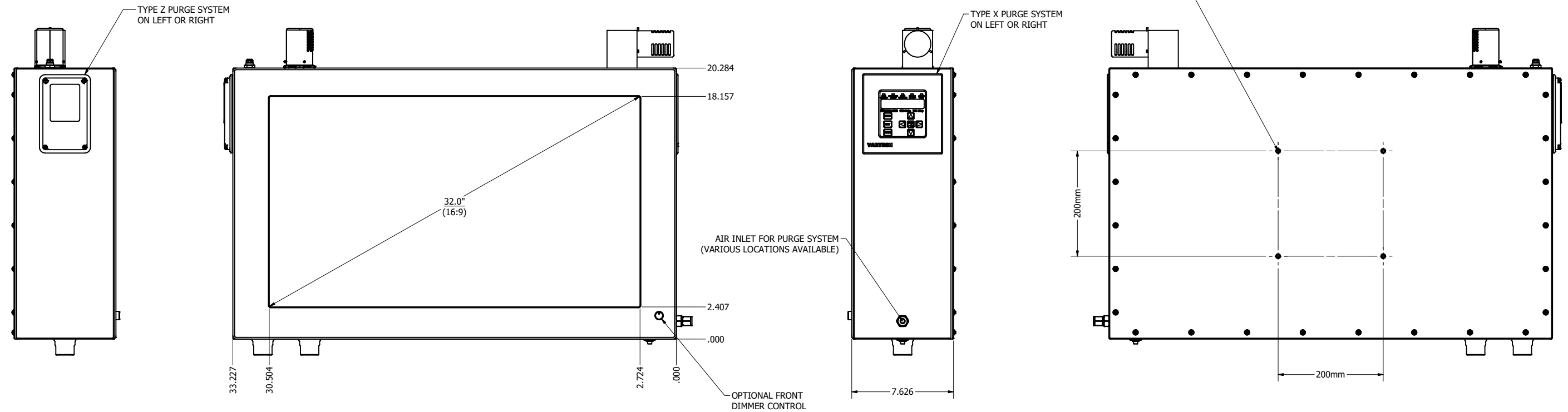
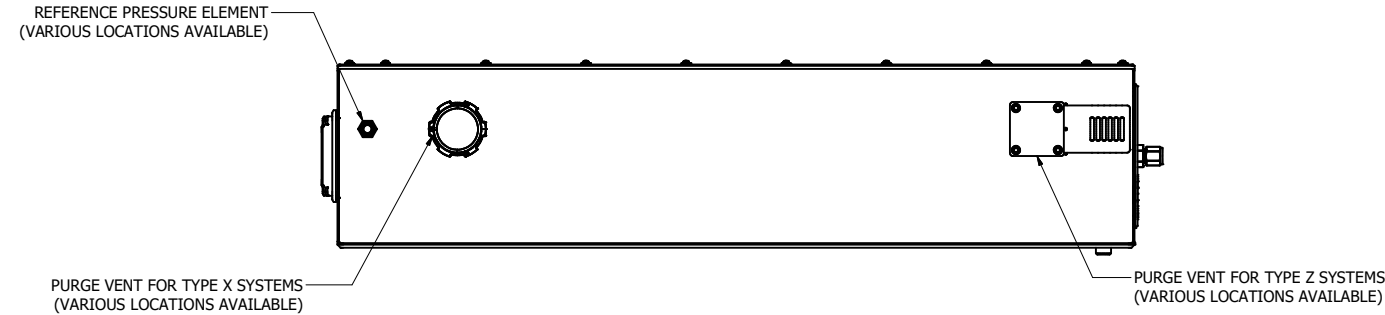
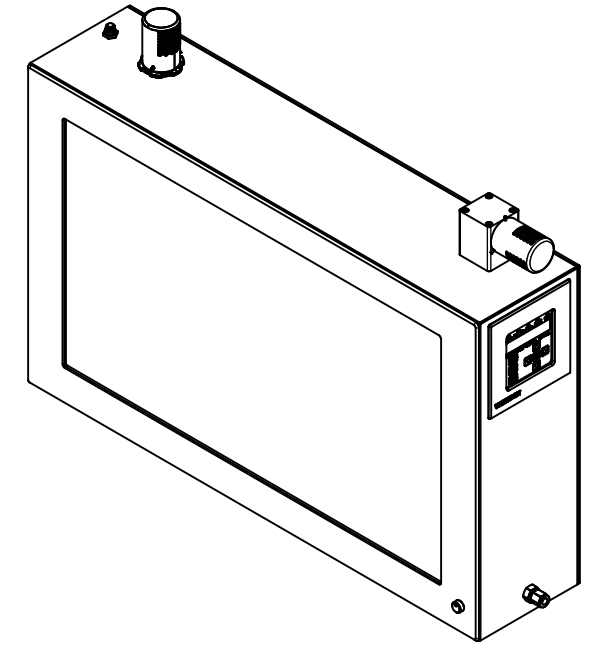


REVISION HISTORY			
REV	DATE	INITIALS	DESCRIPTION
0	7/20/2021	TAK	INITIAL RELEASE

**BOTH TYPE X (C1D1) AND TYPE Z (C1D2) PURGE SYSTEMS
ARE SHOWN DEPENDING ON APPLICATION
ONE PURGE SYSTEM PER WORKSTATION**



DRAWN BY: cgray		11/1/2018		 VARTECH SYSTEMS INC.
USE WITH PRODUCT NUMBER				
TITLE				TOUGH STATION FOR HAZLOC TOUGH STATION GEN3
MATERIAL & FINISH				
SHEET	SIZE	PART NUMBER	REV	
3 of 3	D	VTHT3#320bVESx/z	0	
TOLERANCES: .XX=-.01 .XXX=-.005				