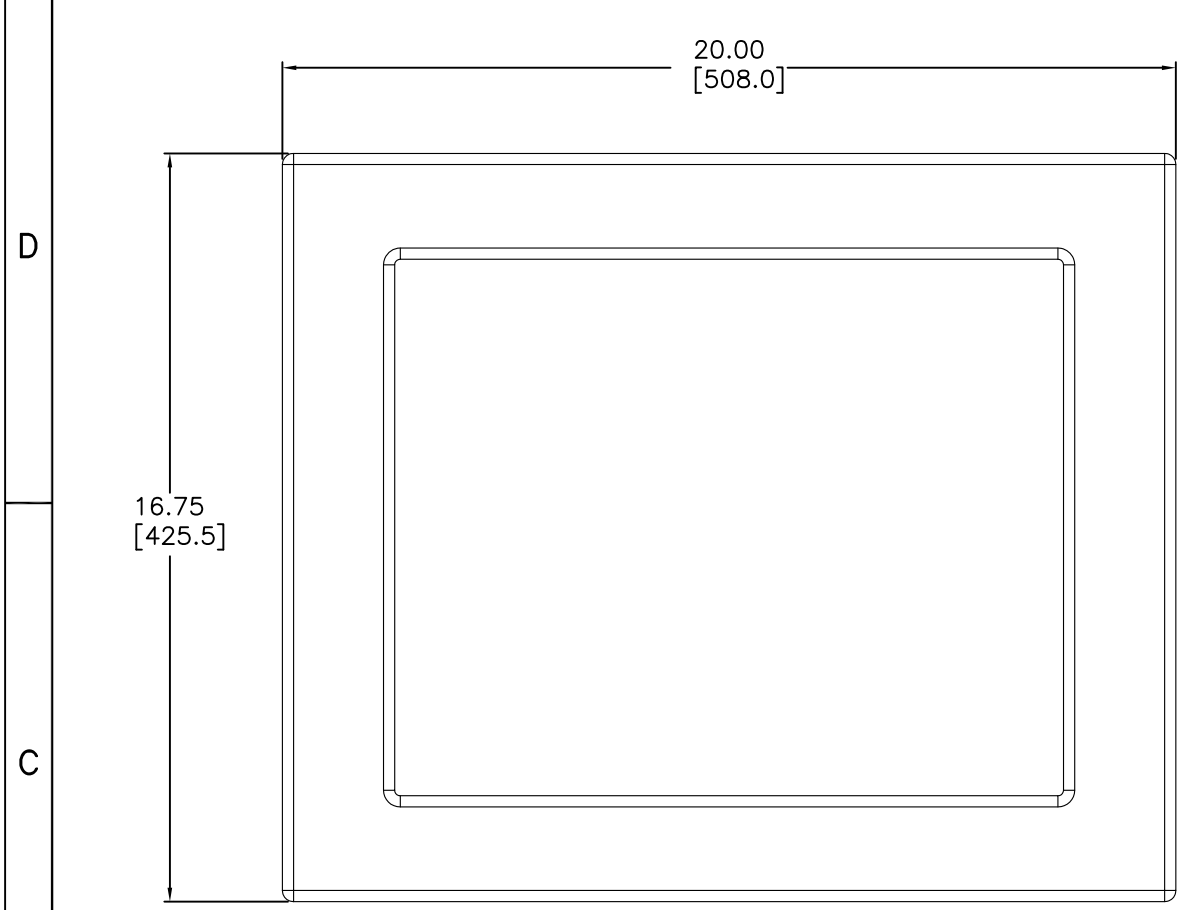
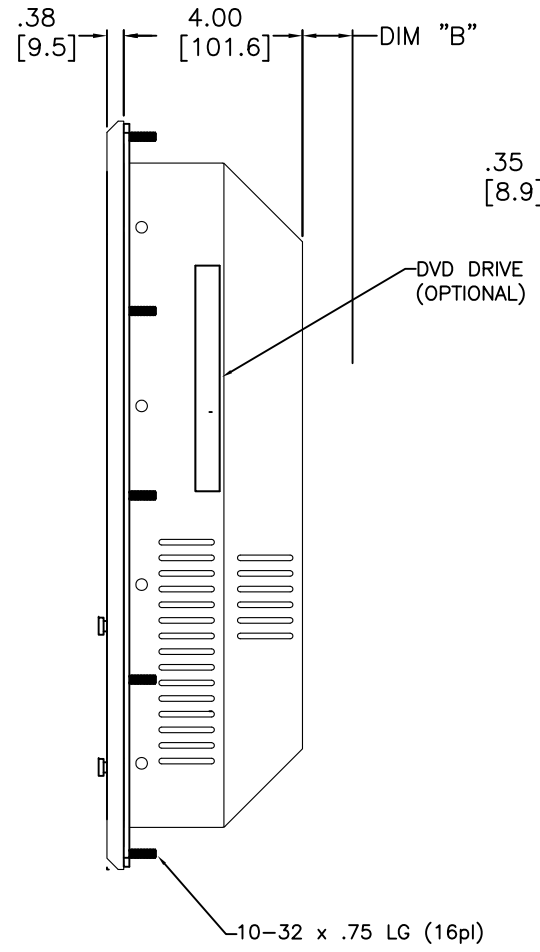


8 7 6 5 4 3 2 1

CHANGE HISTORY		APPROVAL
FILE INDEX	DESCRIPTION	INITIAL DATE

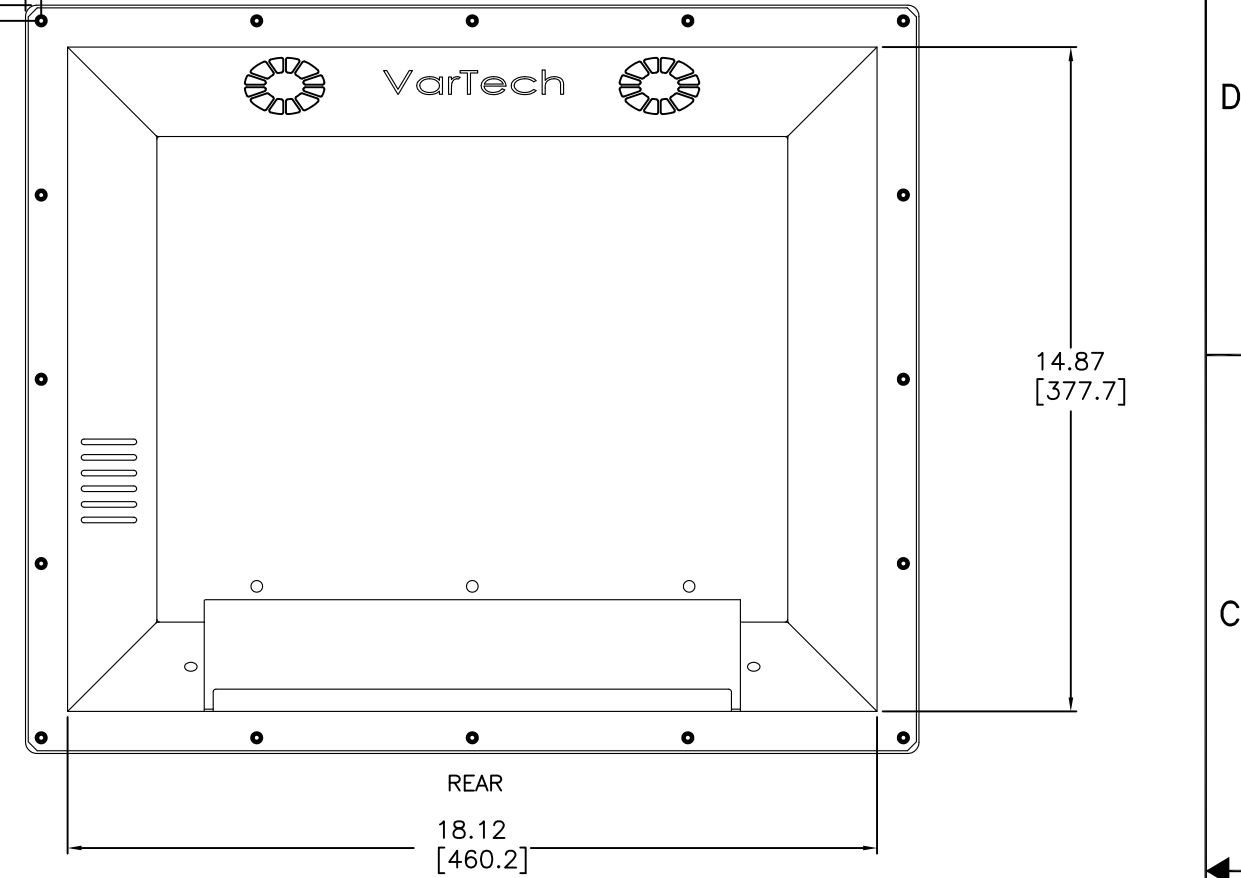


FRONT

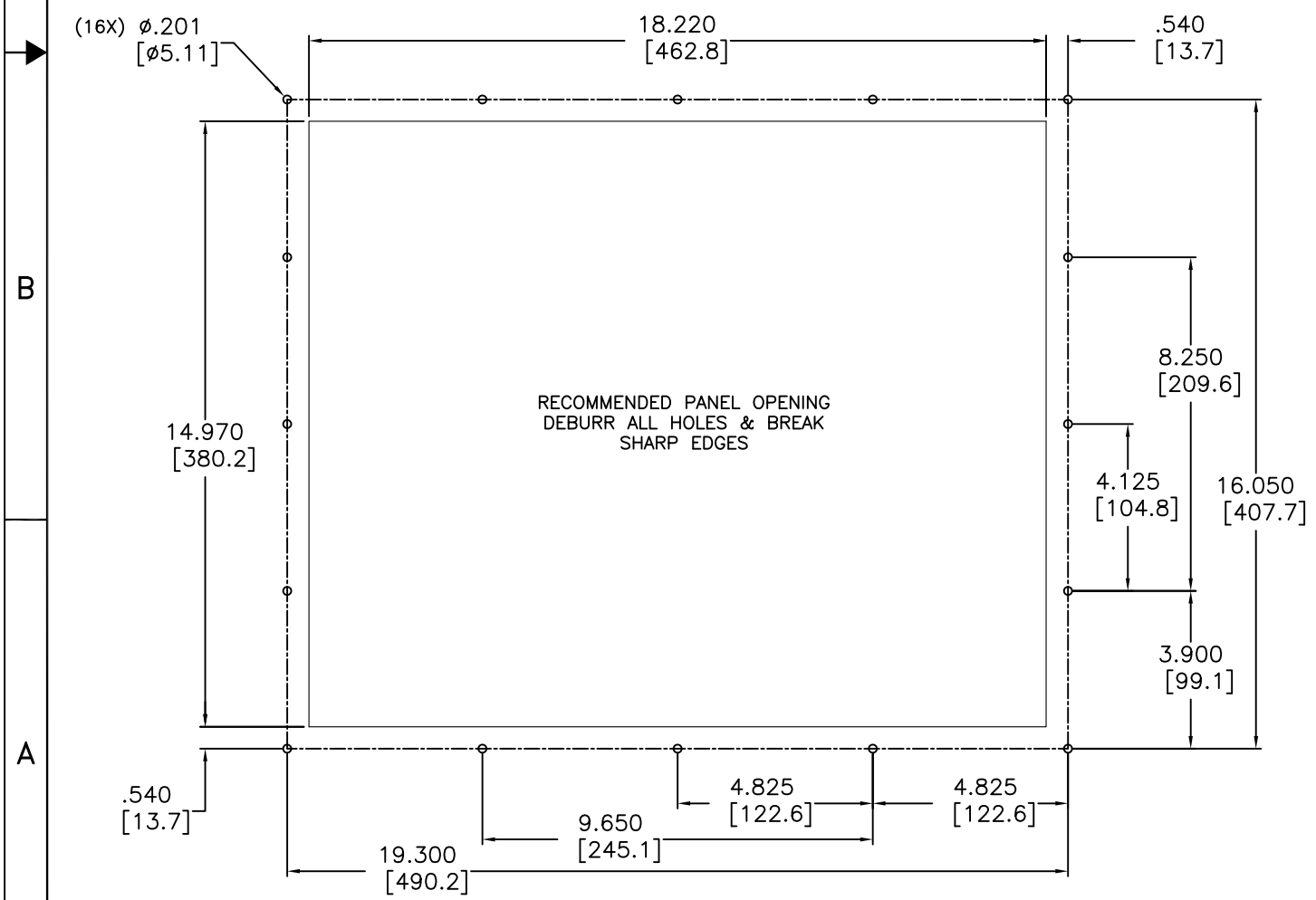


DVD DRIVE (OPTIONAL)

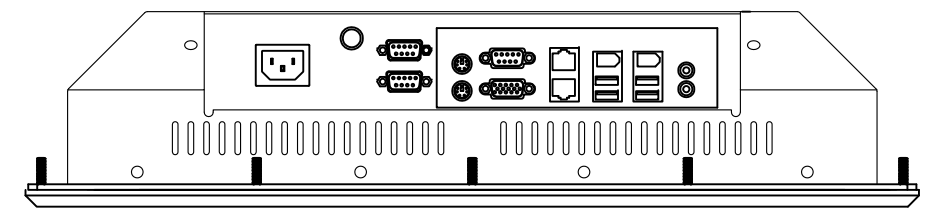
10-32 x .75 LG (16pl)



REAR



RECOMMENDED PANEL OPENING
DEBURR ALL HOLES & BREAK
SHARP EDGES



ITEM	QTY	MFR. PT.NO.	DESCRIPTION	SYM/NOTE
LIST OF MATERIALS				
UNLESS OTHERWISE SPECIFIED DIMENSIONS ARE IN INCHES AND APPLY BEFORE FINISH SURFACE ROUGHNESS .125/ TOLERANCE ON FRACTIONS DECIMALS ANGLES		DRAWN NM 04/21/2008		 VARTECH SYSTEMS 19.0" VTPC900PSS C1-D2 CERTIFIED
± 1/64 ± .XX=.02 ± 1/2		CHECKED		
MATERIAL		DRAFTING		
FINISH		ENGINEER		
VTPC900PSS USED ON APPLICATION		MANUF		SIZE D
		APPROVED		DWG NO. 482-0058-00
		QA		REV 00
SCALE			SHEET 1 OF 1	

8 7 6 5 4 3 2 1