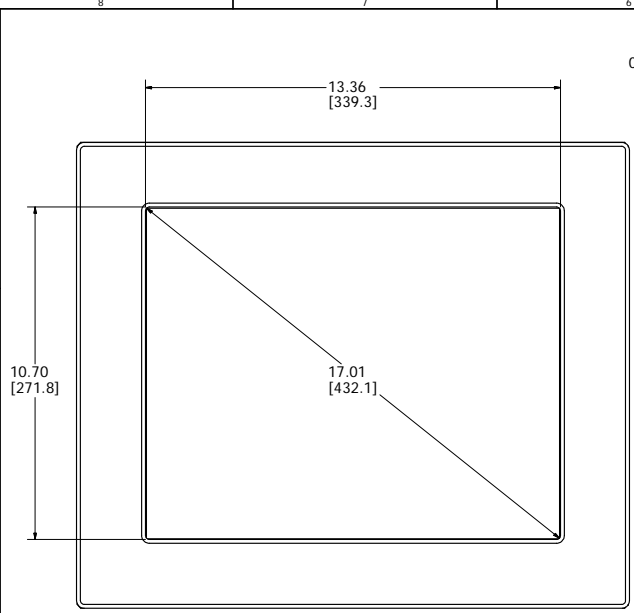
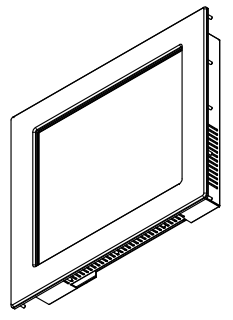
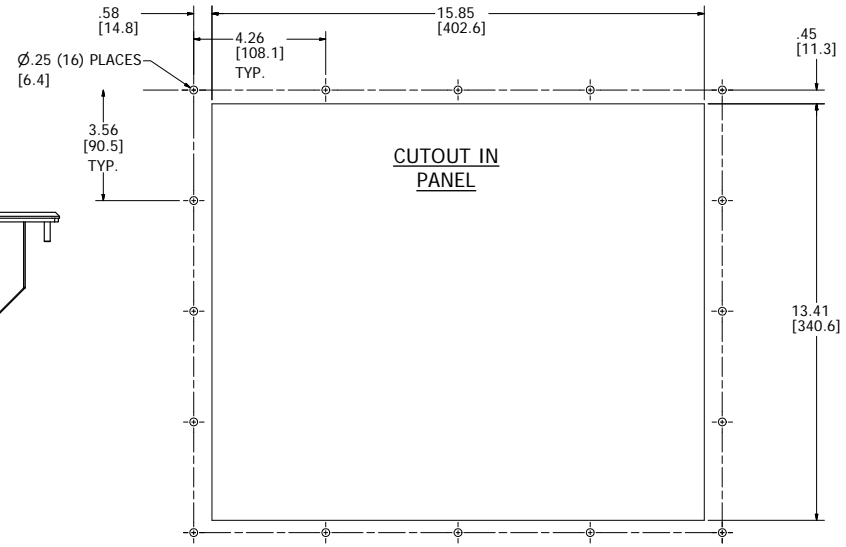
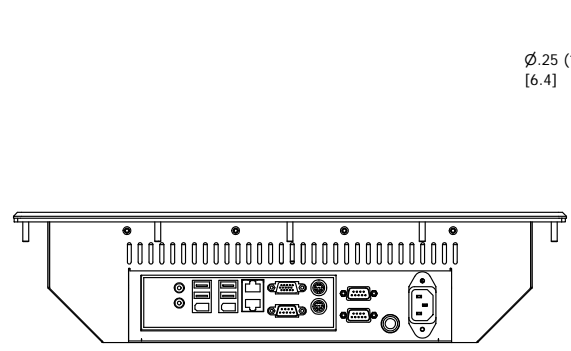
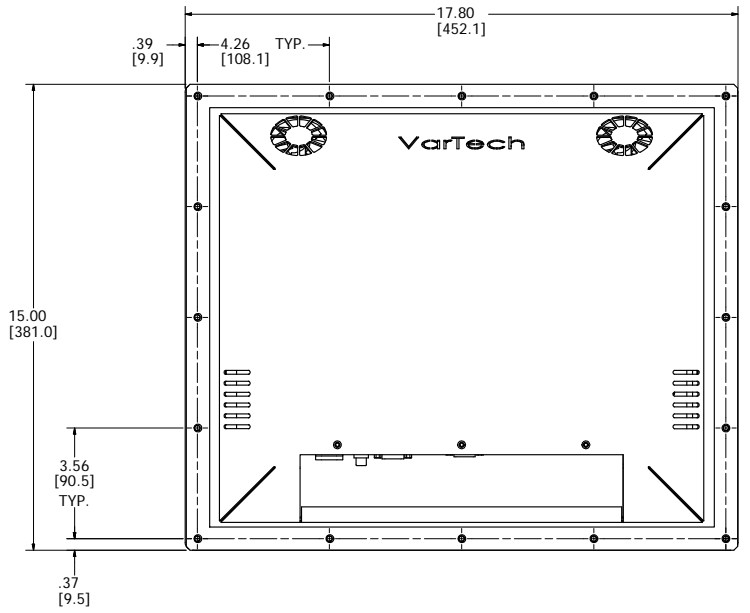
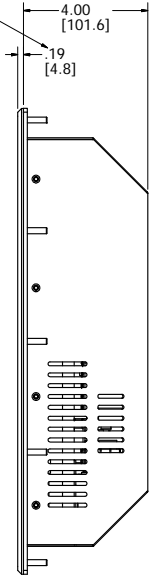


REVISION HISTORY			
REV	DESCRIPTION	APPROVED	DATE
1	RELEASE	MLC	3/9/2015



FOR NEMA 4X STAINLESS PANEL
0.38 [9.5] FOR NEMA 4 ALUMINUM



DRAWN	MLC	3/9/2015	VARTECH SYSTEMS	
CHECKED				
QA			VTPC700PS OUTLINE DRAWING, C1-D2	
MFG			CERTIFIED	
APPROVED			SIZE	TOLERANCES
USED ON	MATERIAL:		D	.XXX - .01 .XXX - .005
APPLICATION			DWG NO	482-0245-001
			REV	1