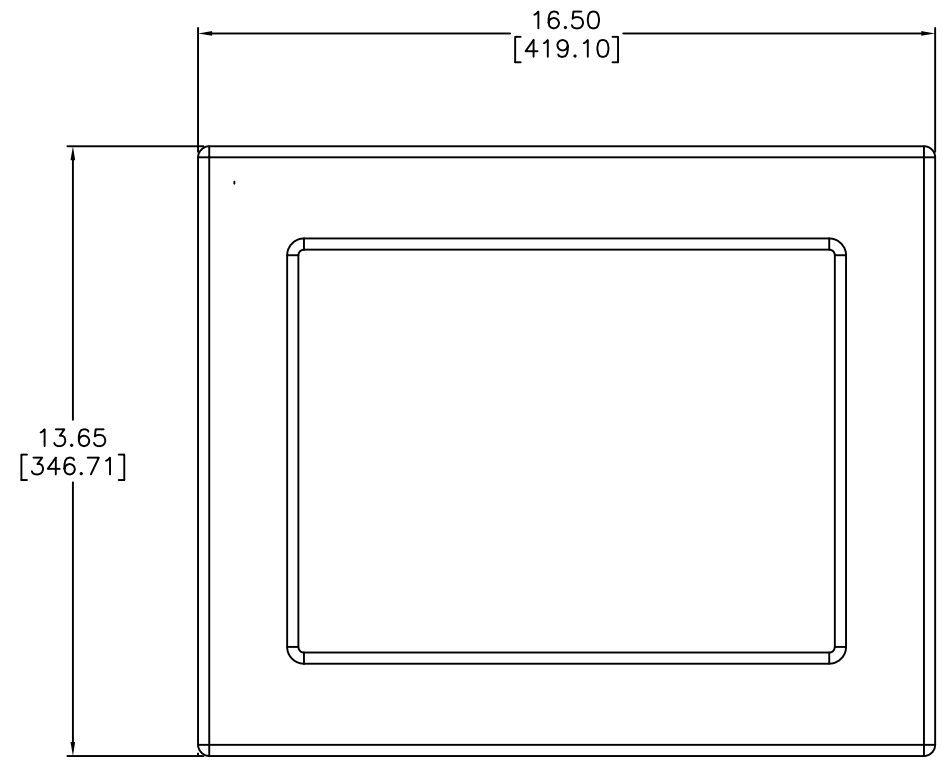
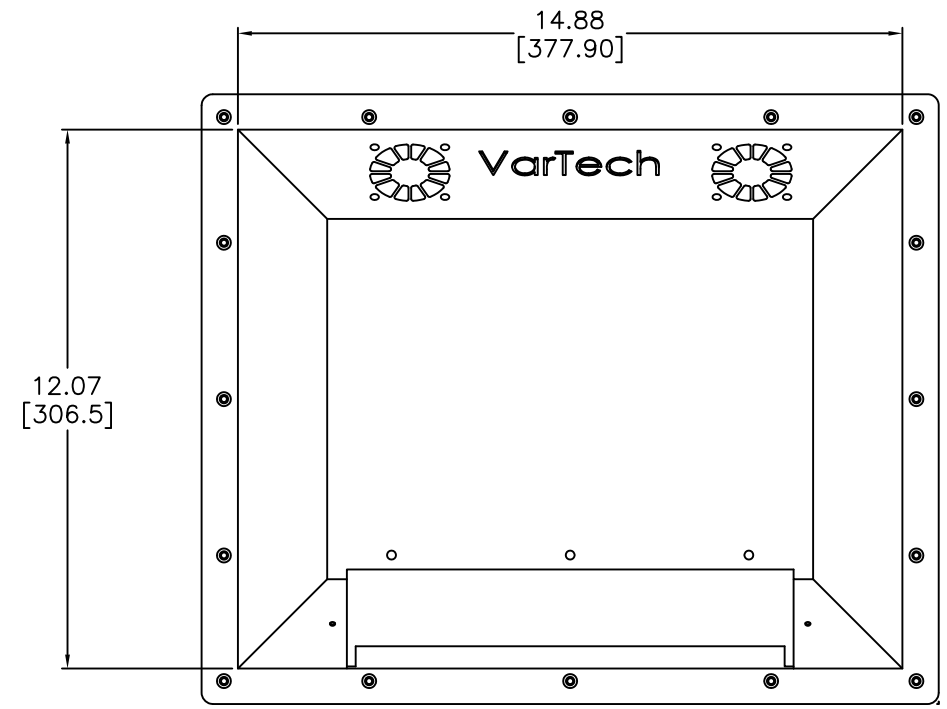
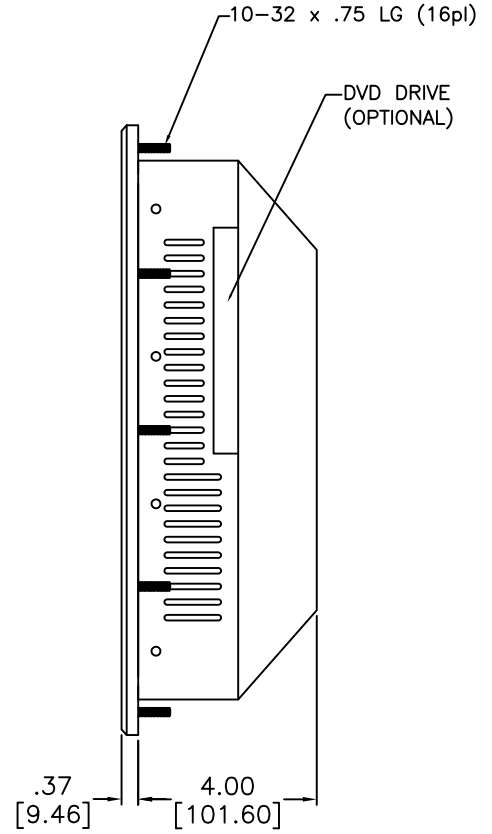


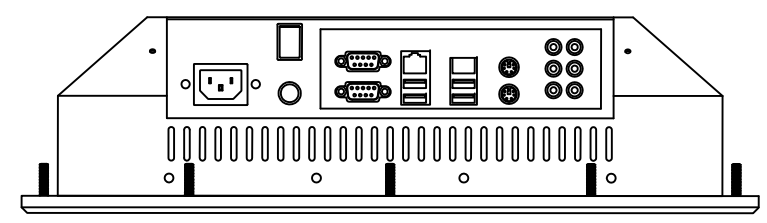
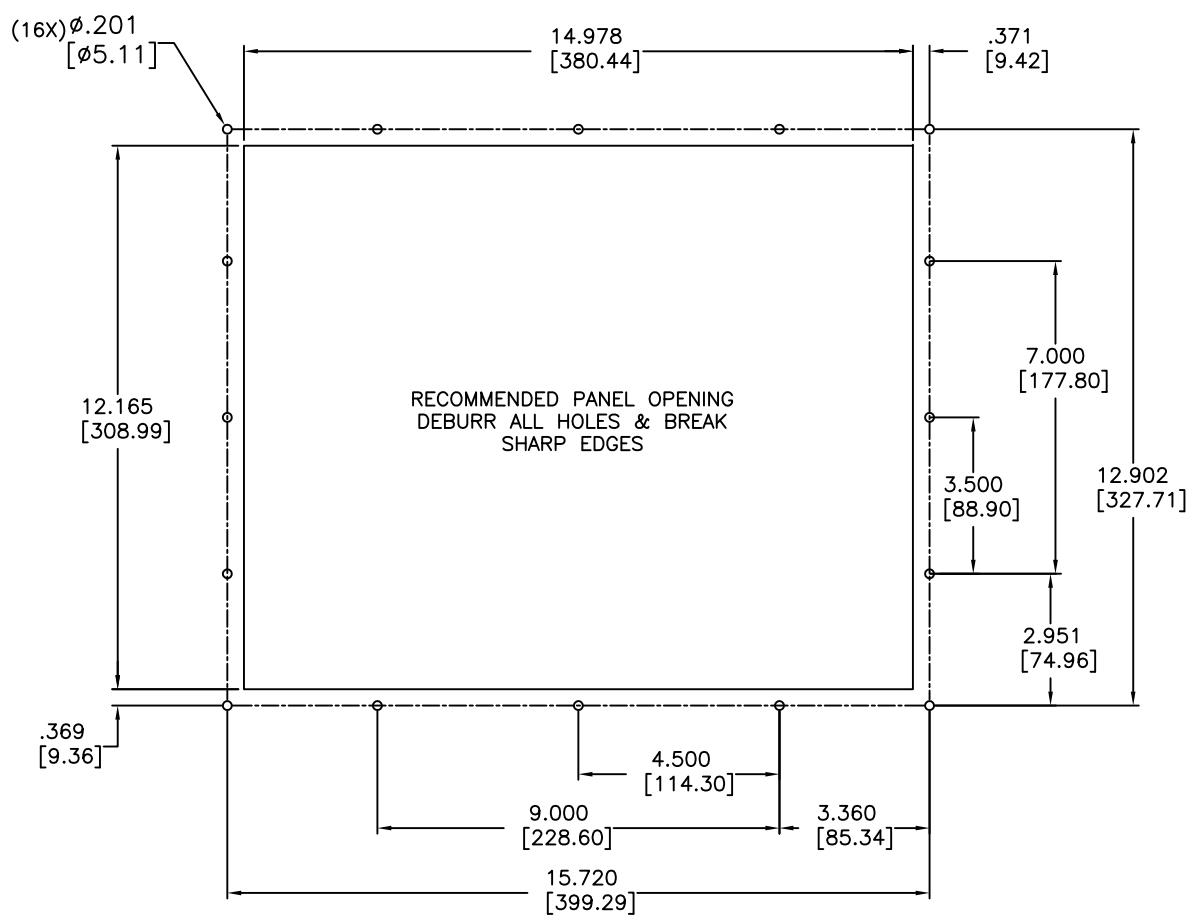
CHANGE HISTORY		
FILE INDEX	DESCRIPTION	APPROVAL INITIAL DATE



FRONT



REAR



ITEM	QTY	MFR. PT.NO.	DESCRIPTION	SYM/NOTE
LIST OF MATERIALS				
UNLESS OTHERWISE SPECIFIED DIMENSIONS ARE IN INCHES AND APPLY BEFORE FINISH SURFACE ROUGHNESS .125/ TOLERANCE ON FRACTIONS DECIMALS ANGLES		DRAWN SAH	DATE 10/12/09	 VARTECH SYSTEMS 15.0"VTPC500PSS C1-D2 CERTIFIED
± 1/64 ±.XX=.02 ± 1/2		CHECKED		
MATERIAL		DRAFTING		
FINISH		ENGINEER		
APPLICATION		MANUF		
VTPC500PSS		APPROVED		SIZE D
USED ON		QA		DWG NO. 482-0056-00
				REV 00
SCALE			SHEET 1 OF 1	