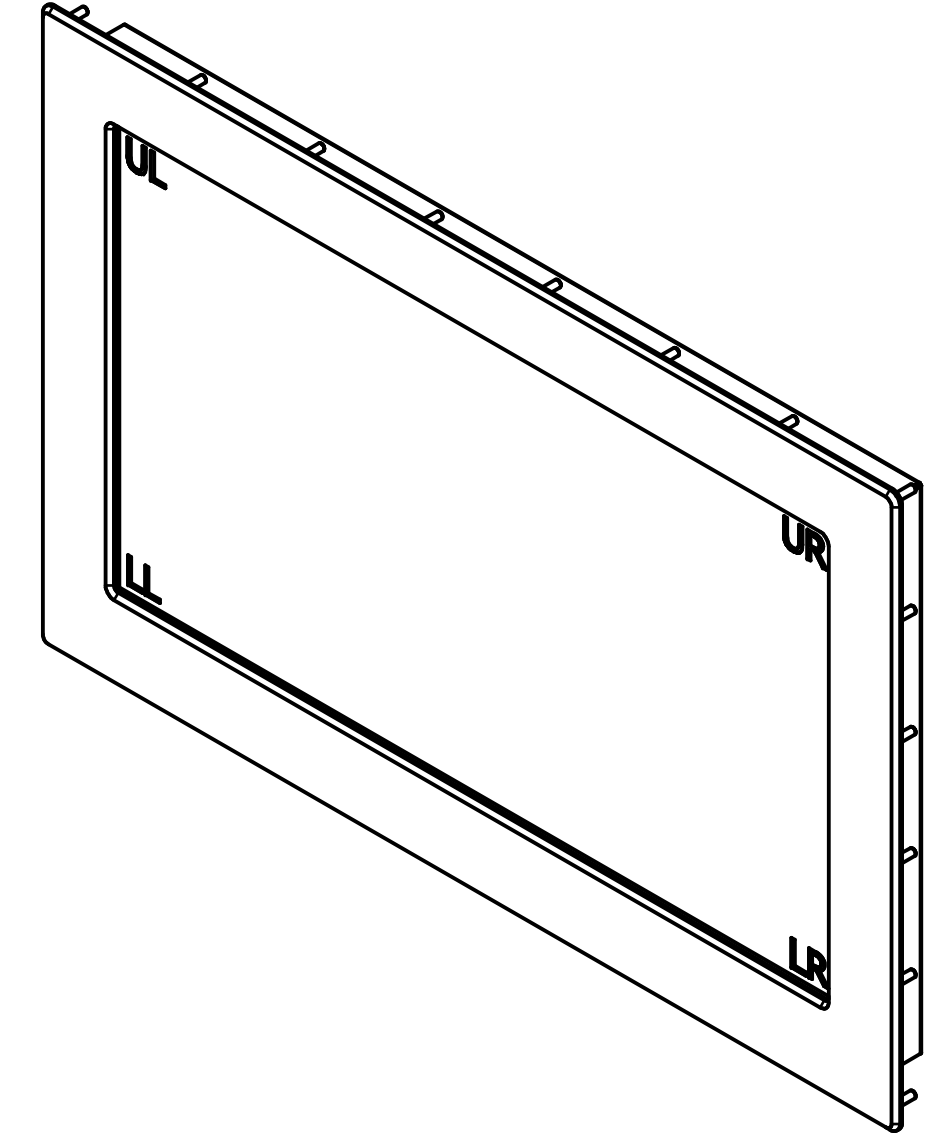
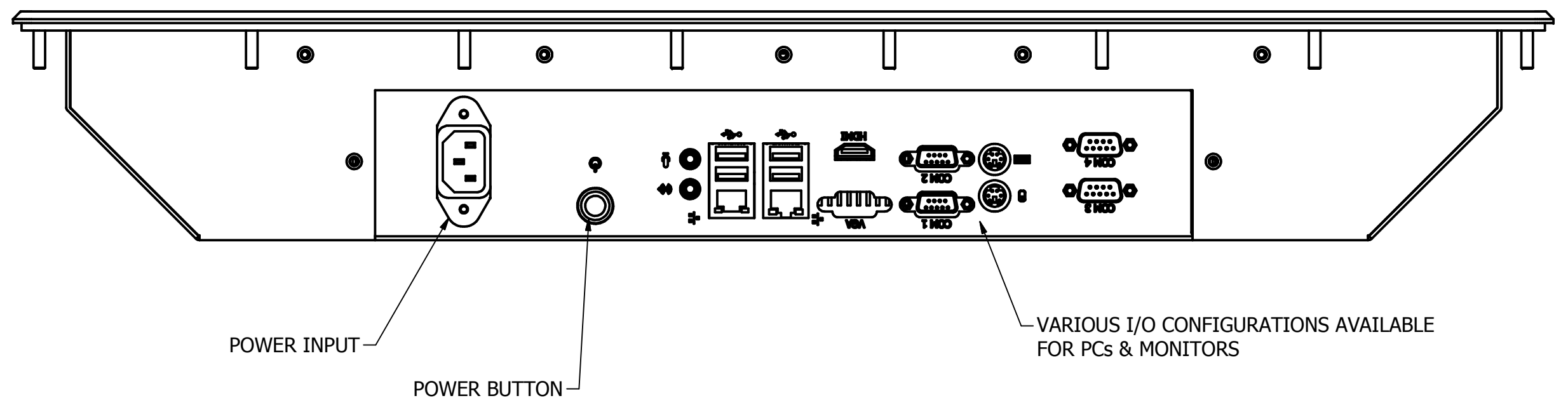
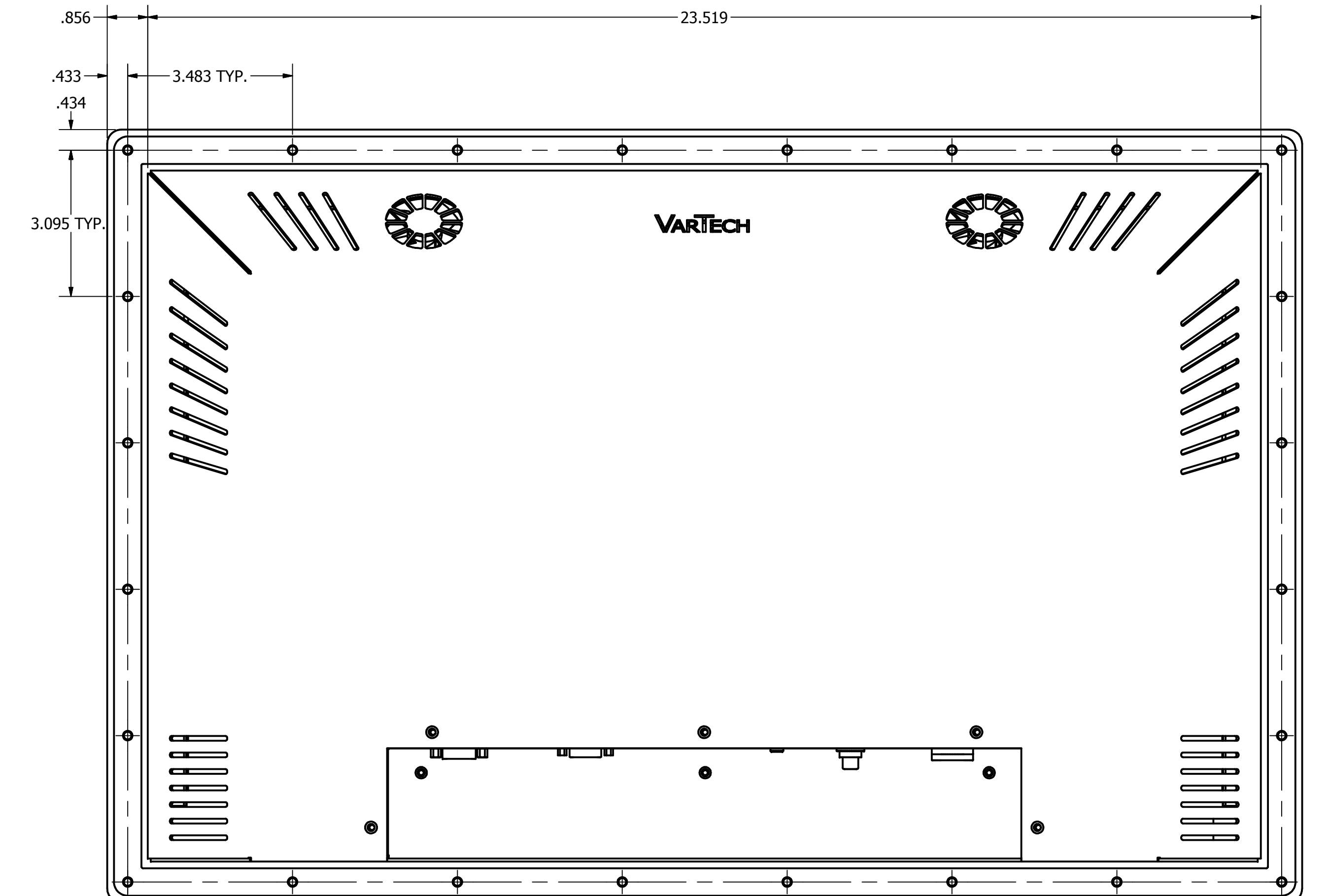
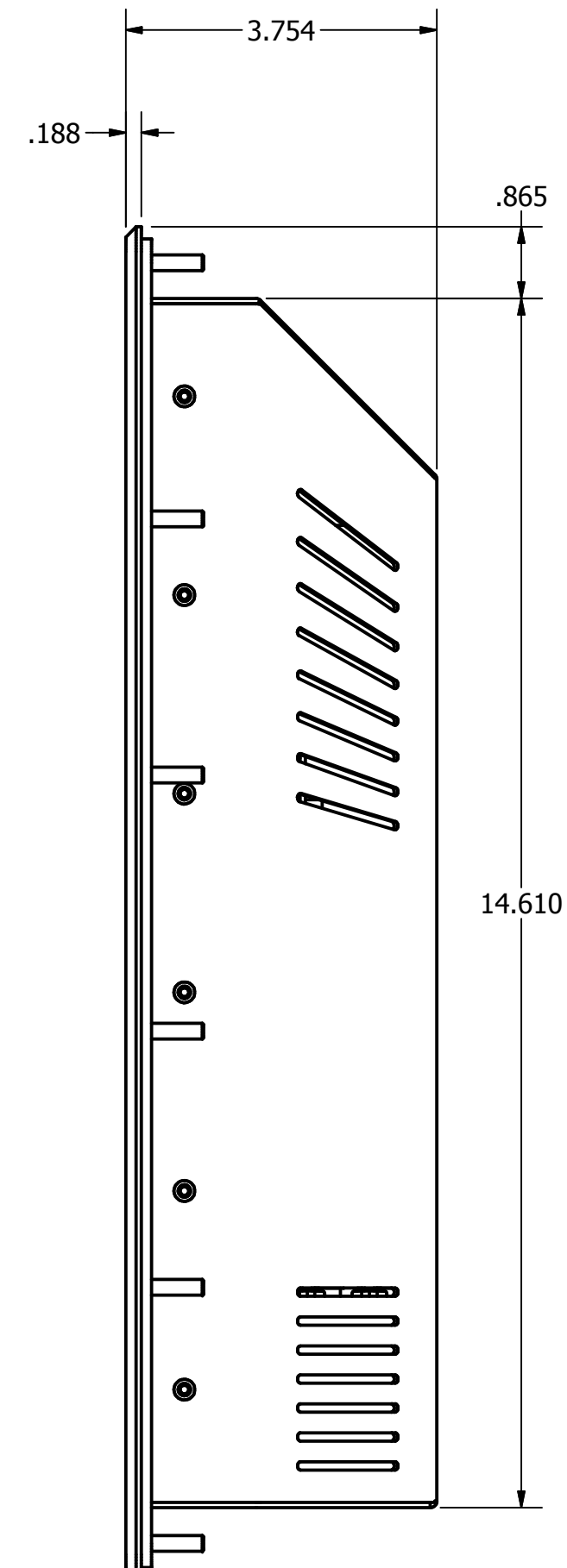
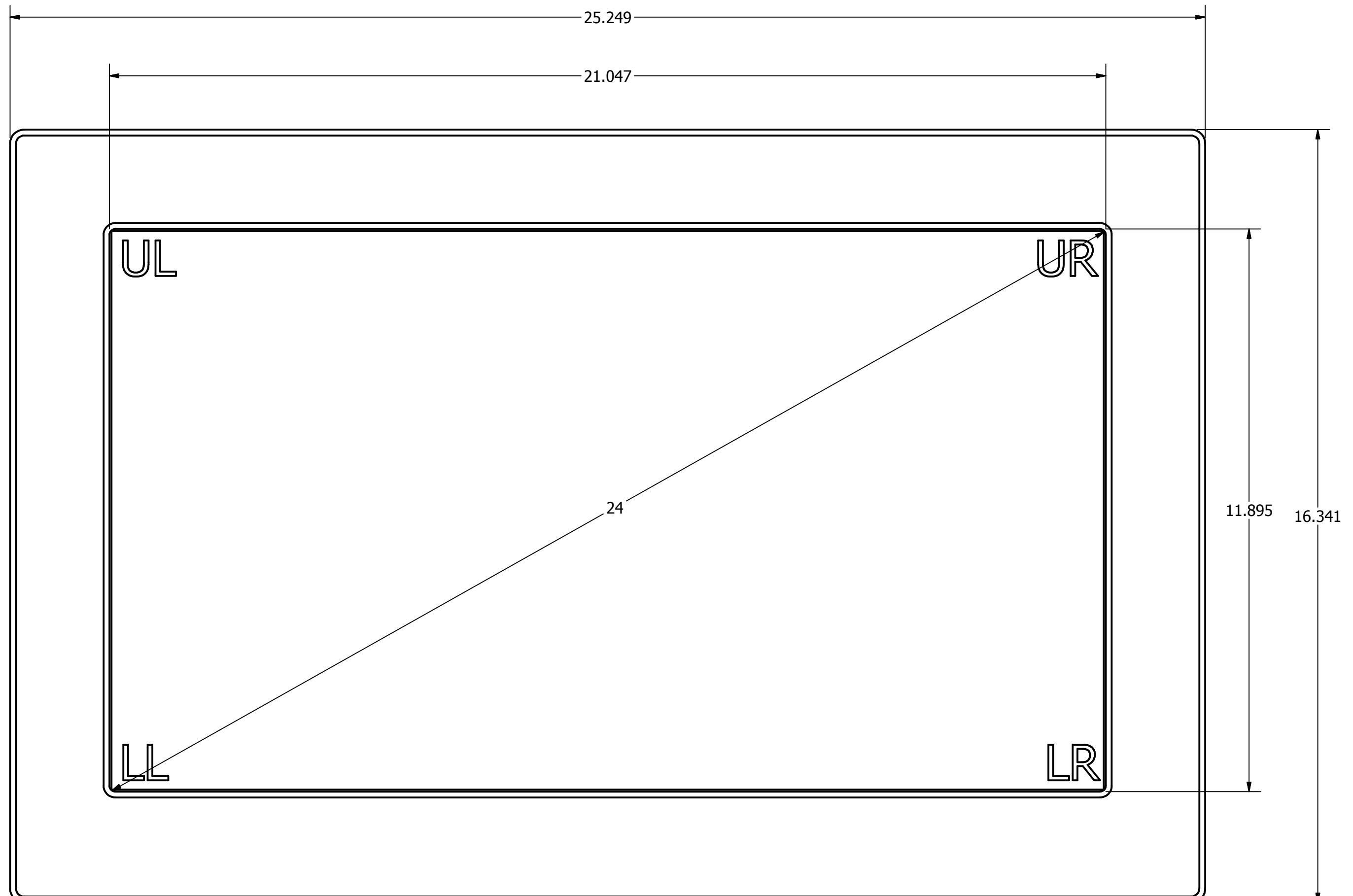
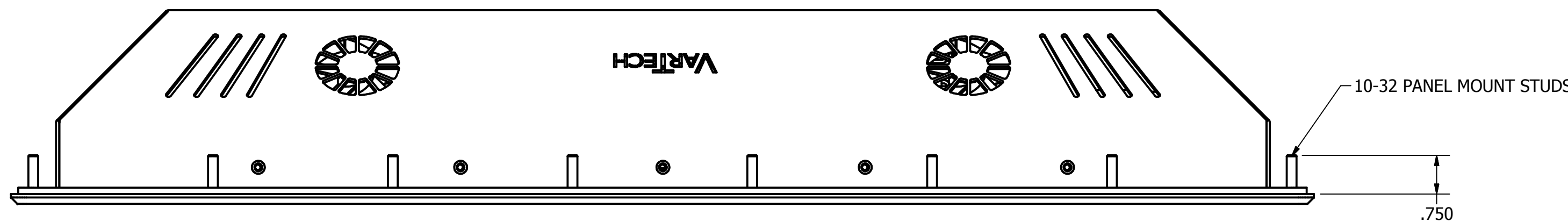
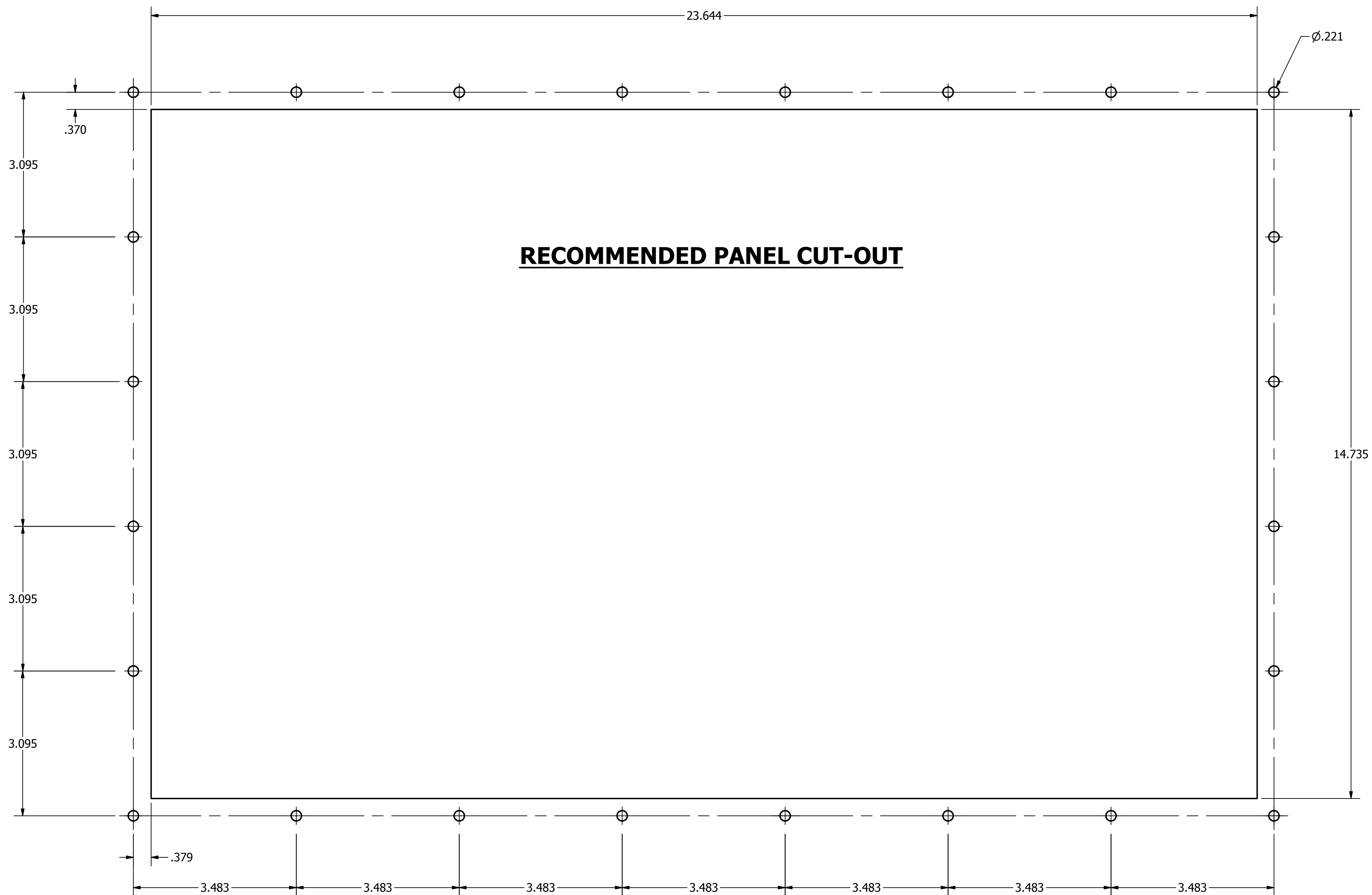


REVISION HISTORY			
REV	DESCRIPTION	APPROVED	DATE
0	RELEASE	COG	7/10/2017




NOTE: SEE SHEET 2 FOR PANEL CUT-OUT RECOMMENDATION

DRAWN	CGRAY	7/10/2017		TITLE	OUTLINE DRAWING, VTPC2400PS, VTPC2400PS-MON	
CHECKED				SIZE		D
QA				TOLERANCES:		.XX = .01 .XXX = .005
MFG				DWG NO		482-0345-001
APPROVED			REV	0		
USED ON	MATERIAL:		FINISH:			
APPLICATION						



RECOMMENDED PANEL CUT-OUT

	DRAWN	CGRAY	7/10/2017	 VARTECH SYSTEMS			
	CHECKED					TITLE	
	QA			OUTLINE DRAWING, VTPC2400PS, VTPC2400PS-MON			
	MFG						
	APPROVED						
USED ON	MATERIAL:			SIZE	TOLERANCES:	DWG NO	REV
APPLICATION	11 GA (0.090") ALUMINUM			D	.XX = .01 .XXX = .005	482-0345-001	0
				FINISH:		SHEET 2 OF 2	